

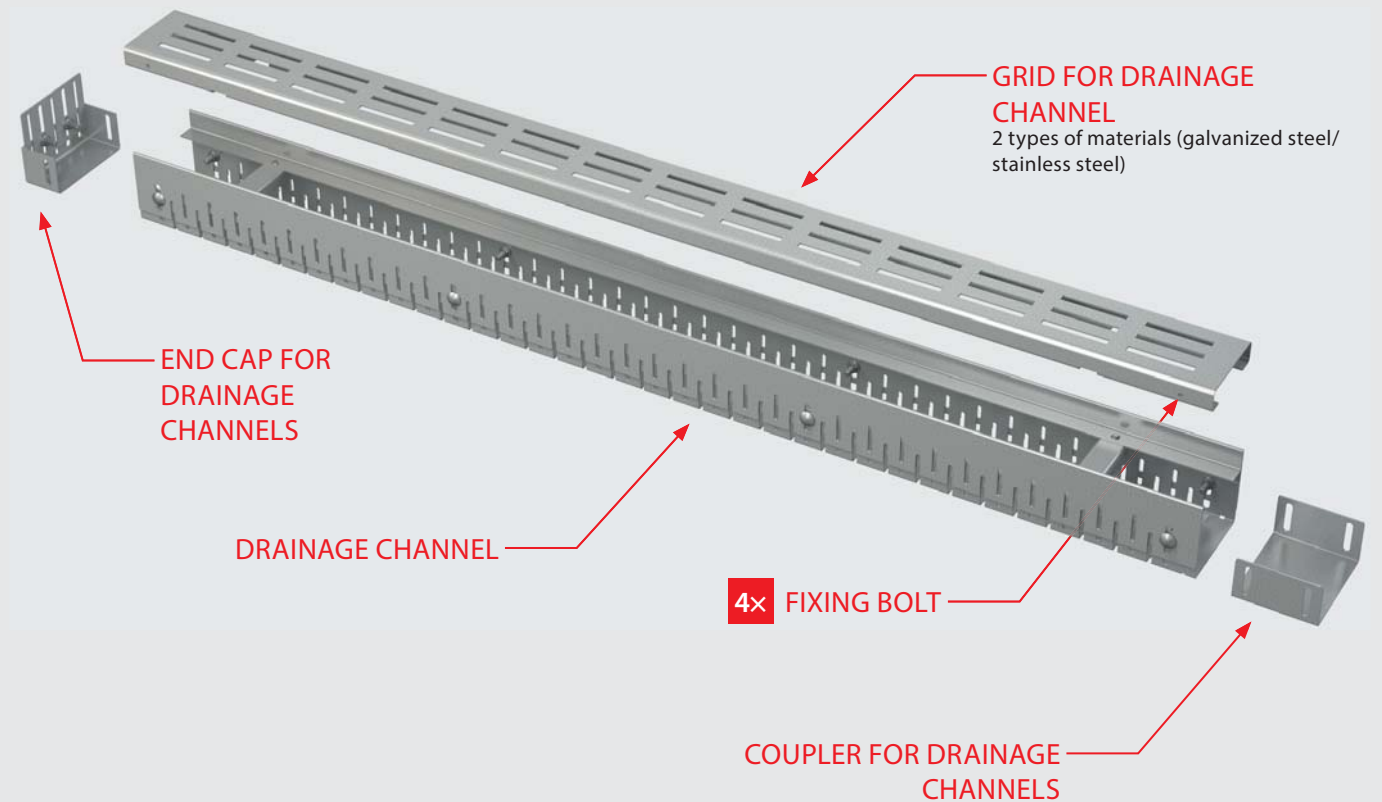
[www.alcaplast.com](http://www.alcaplast.com)

**Alca** PLAST®

# Facade and terrace drainage channels



CZECH  
PRODUCT



**Application:**

- Balconies and terraces
- Permeable areas in the garden
- Drainage along building facades
- Protection of buildings against the ingress of water, or even from water sprayed on the facade when it rains

**Features:**

- 2 types of materials (galvanized steel/stainless steel)
- Grid width: 75 and 100 mm
- Standard length of drainage channels is 1 m
- Height adjustable channel body 60–80 mm
- Load class K3 = 300 kg
- Accessories: coupler, end cap (galvanized steel/stainless steel)
- 4 grid designs (galvanized steel/stainless steel)

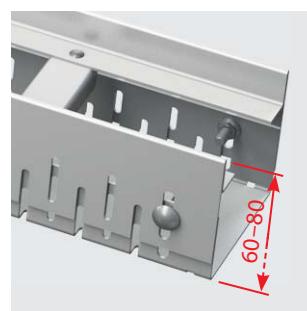
**Advantages:**

- Easy installation
- Simple cleaning
- High quality product
- Height adjustable drainage channels
- The possibility of custom production
- Fixing bolts – ensure perfect attachment of the grid in the drain and eliminates the sound effect during use of the drain

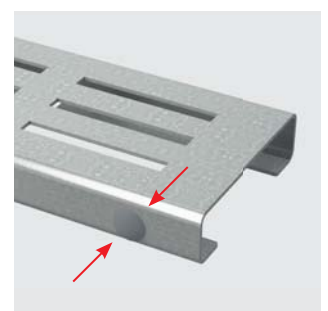
POLISHED  
STAINLESS  
STEEL GRIDS

ADJUSTABLE  
DRAIN HEIGHT  
60–80 MM

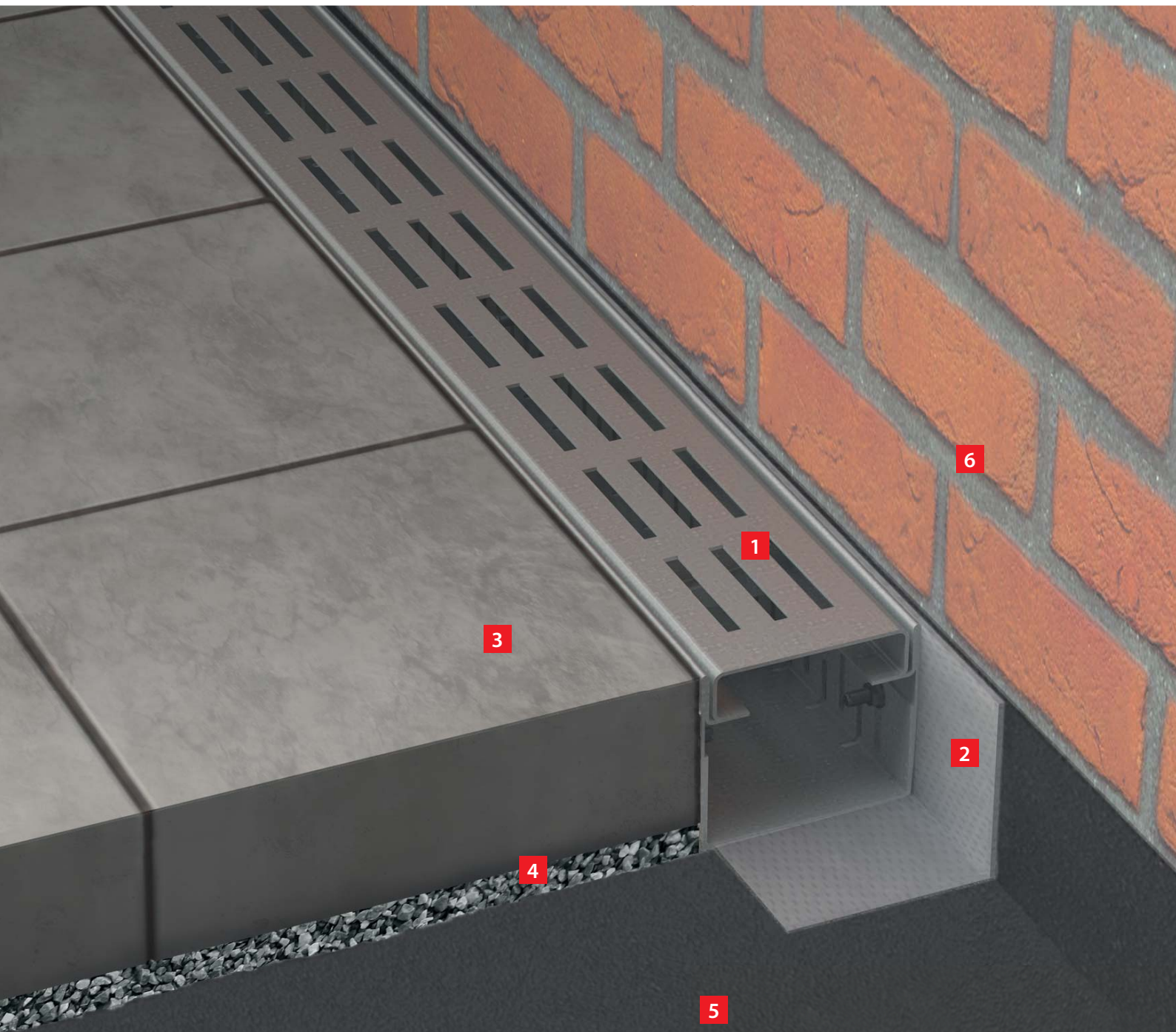
25 YEARS  
GUARANTEE  
FOR STAINLESS  
STEEL DRAINAGE  
CHANNELS



ADJUSTABLE DRAIN  
HEIGHT 60–80 MM



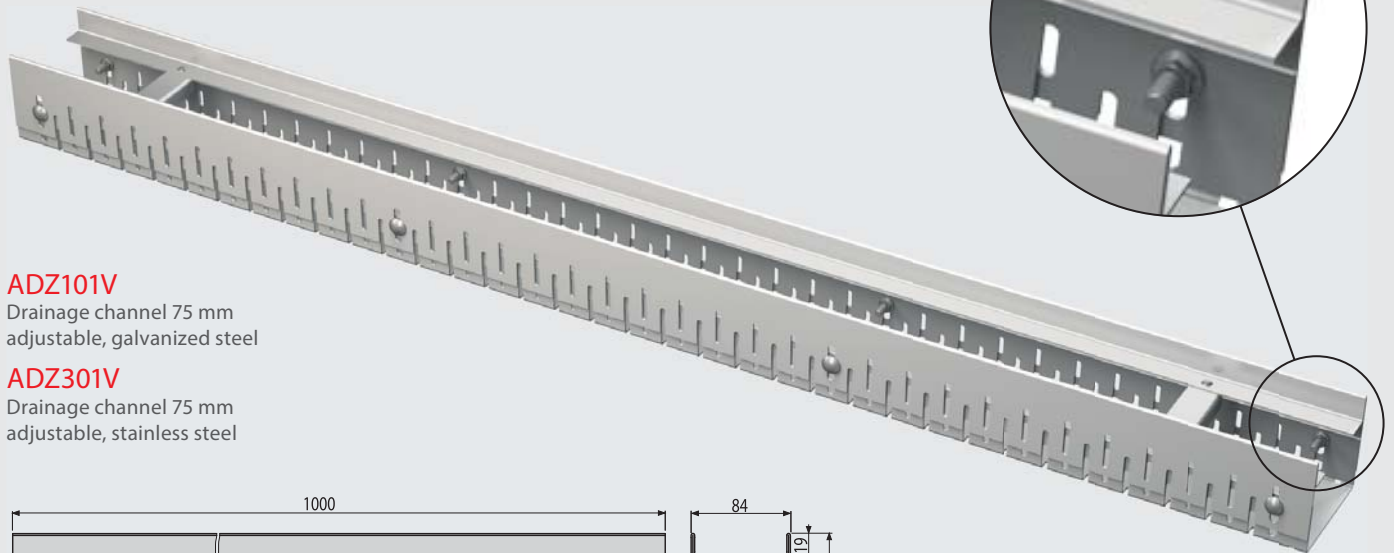
FIXING BOLTS



- |   |                  |   |                    |
|---|------------------|---|--------------------|
| 1 | drainage channel | 4 | gravel             |
| 2 | insulation       | 5 | substrate material |
| 3 | tiles            | 6 | facade             |

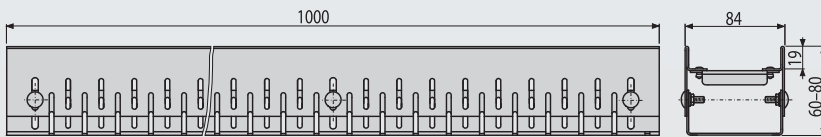


# Drainage channels with grids width **75 mm**



**ADZ101V**  
Drainage channel 75 mm  
adjustable, galvanized steel

**ADZ301V**  
Drainage channel 75 mm  
adjustable, stainless steel



**ADZ-R101**  
Grid for drainage channel 75 mm,  
galvanized steel



**ADZ-R102**  
Grid for drainage channel 75 mm,  
galvanized steel



**ADZ-R301**  
Grid for drainage channel 75 mm,  
stainless steel



**ADZ-R302**  
Grid for drainage channel 75 mm,  
stainless steel



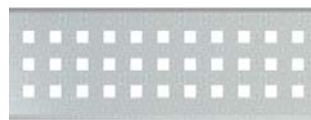
**ADZ-R103**  
Grid for drainage channel 75 mm,  
galvanized steel



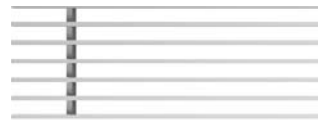
**ADZ-R104**  
Grid for drainage channel 75 mm,  
galvanized steel



**ADZ-R303**  
Grid for drainage channel 75 mm,  
stainless steel



**ADZ-R304**  
Grid for drainage channel 75 mm,  
stainless steel



**ADZ-P003**  
End cap for drainage channel  
75 mm, galvanized steel



**ADZ-P007**  
Coupler for drainage channel  
75 mm, galvanized steel



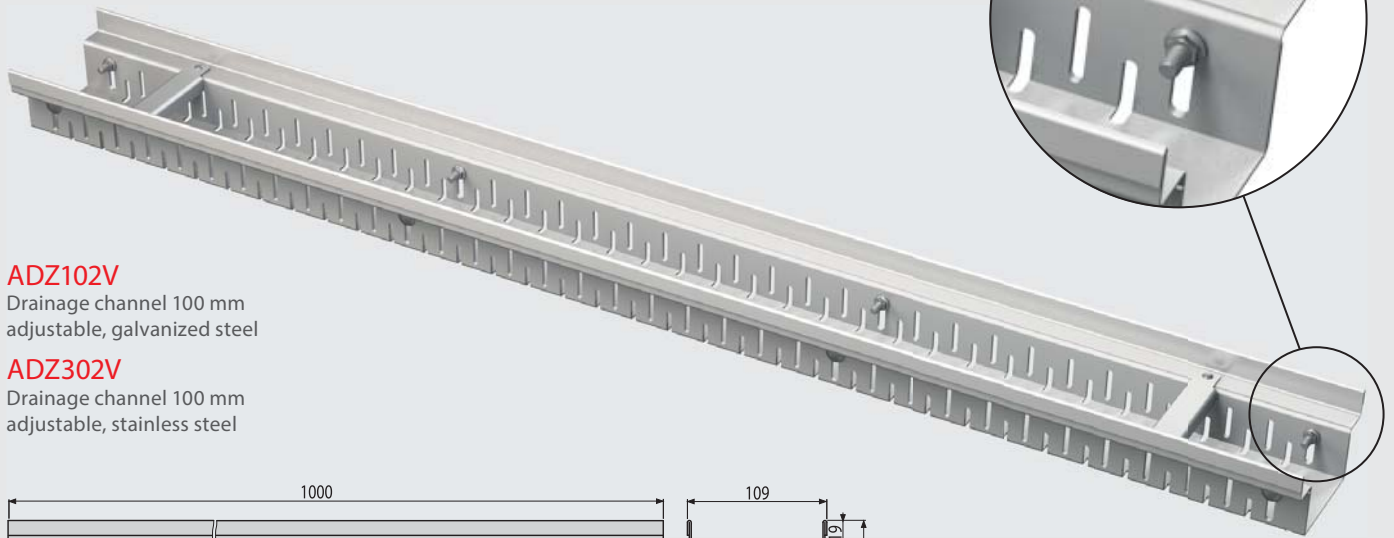
**ADZ-P001**  
End cap for drainage channel  
75 mm, stainless steel



**ADZ-P005**  
Coupler for drainage channel  
75 mm, stainless steel



## Drainage channels with grids width **100 mm**

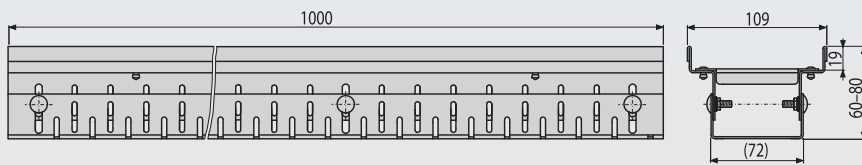


### ADZ102V

Drainage channel 100 mm  
adjustable, galvanized steel

### ADZ302V

Drainage channel 100 mm  
adjustable, stainless steel



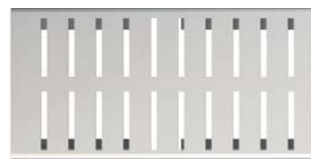
### ADZ-R121

Grid for drainage channel  
100 mm, galvanized steel



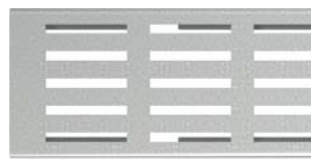
### ADZ-R122

Grid for drainage channel  
100 mm, galvanized steel



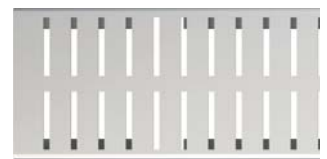
### ADZ-R321

Grid for drainage channel  
100 mm, stainless steel



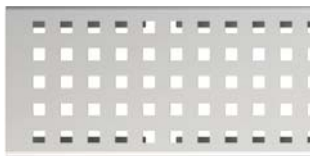
### ADZ-R322

Grid for drainage channel  
100 mm, stainless steel



### ADZ-R123

Grid for drainage channel  
100 mm, galvanized steel



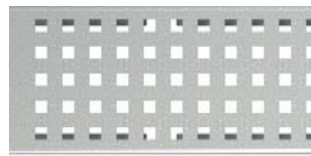
### ADZ-R124

Grid for drainage channel  
100 mm, galvanized steel



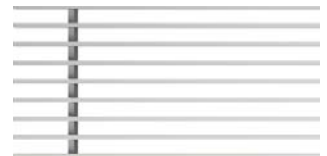
### ADZ-R323

Grid for drainage channel  
100 mm, stainless steel



### ADZ-R324

Grid for drainage channel  
100 mm, stainless steel



### ADZ-P004

End cap for drainage channel  
100 mm, galvanized steel



### ADZ-P008

Coupler for drainage channel  
100 mm, galvanized steel



### ADZ-P002

End cap for drainage channel  
100 mm, stainless steel



### ADZ-P006

Coupler for drainage channel  
100 mm, stainless steel



## LIST OF PRODUCTS

| Code                     | EAN           | Description   |
|--------------------------|---------------|---|
| <b>DRAINAGE CHANNELS</b> |               |   |
| <b>ADZ101V</b>           | 8595580547981 | Drainage channel 75 mm adjustable, galvanized steel   |
| <b>ADZ102V</b>           | 8595580547974 | Drainage channel 100 mm adjustable, galvanized steel  |
| <b>ADZ301V</b>           | 8595580547950 | Drainage channel 75 mm adjustable, stainless steel    |
| <b>ADZ302V</b>           | 8595580547967 | Drainage channel 100 mm adjustable, stainless steel   |
| <b>GRIDS</b>             |               |   |
| <b>ADZ-R101</b>          | 8595580548001 | Grid for drainage channel 75 mm, galvanized steel     |
| <b>ADZ-R102</b>          | 8595580547998 | Grid for drainage channel 75 mm, galvanized steel     |
| <b>ADZ-R103</b>          | 8595580548018 | Grid for drainage channel 75 mm, galvanized steel     |
| <b>ADZ-R104</b>          | 8595580548629 | Grid for drainage channel 75 mm, galvanized steel     |
| <b>ADZ-R121</b>          | 8595580548025 | Grid for drainage channel 100 mm, galvanized steel    |
| <b>ADZ-R122</b>          | 8595580548032 | Grid for drainage channel 100 mm, galvanized steel    |
| <b>ADZ-R123</b>          | 8595580548049 | Grid for drainage channel 100 mm, galvanized steel    |
| <b>ADZ-R124</b>          | 8595580548612 | Grid for drainage channel 100 mm, galvanized steel    |
| <b>ADZ-R301</b>          | 8595580548056 | Grid for drainage channel 75 mm, stainless steel      |
| <b>ADZ-R302</b>          | 8595580548063 | Grid for drainage channel 75 mm, stainless steel      |
| <b>ADZ-R303</b>          | 8595580548070 | Grid for drainage channel 75 mm, stainless steel      |
| <b>ADZ-R304</b>          | 8595580548599 | Grid for drainage channel 75 mm, stainless steel      |
| <b>ADZ-R321</b>          | 8595580548087 | Grid for drainage channel 100 mm, stainless steel     |
| <b>ADZ-R322</b>          | 8595580548094 | Grid for drainage channel 100 mm, stainless steel     |
| <b>ADZ-R323</b>          | 8595580548100 | Grid for drainage channel 100 mm, stainless steel     |
| <b>ADZ-R324</b>          | 8595580548605 | Grid for drainage channel 100 mm, stainless steel     |
| <b>ACCESSORIES</b>       |               |   |
| <b>ADZ-P001</b>          | 8595580548117 | End cap for drainage channel 75 mm, stainless steel   |
| <b>ADZ-P002</b>          | 8595580548124 | End cap for drainage channel 100 mm, stainless steel  |
| <b>ADZ-P003</b>          | 8595580548131 | End cap for drainage channel 75 mm, galvanized steel  |
| <b>ADZ-P004</b>          | 8595580548148 | End cap for drainage channel 100 mm, galvanized steel |
| <b>ADZ-P005</b>          | 8595580548155 | Coupler for drainage channel 75 mm, stainless steel   |
| <b>ADZ-P006</b>          | 8595580548162 | Coupler for drainage channel 100 mm, stainless steel  |
| <b>ADZ-P007</b>          | 8595580548179 | Coupler for drainage channel 75 mm, galvanized steel  |
| <b>ADZ-P008</b>          | 8595580548186 | Coupler for drainage channel 100 mm, galvanized steel |