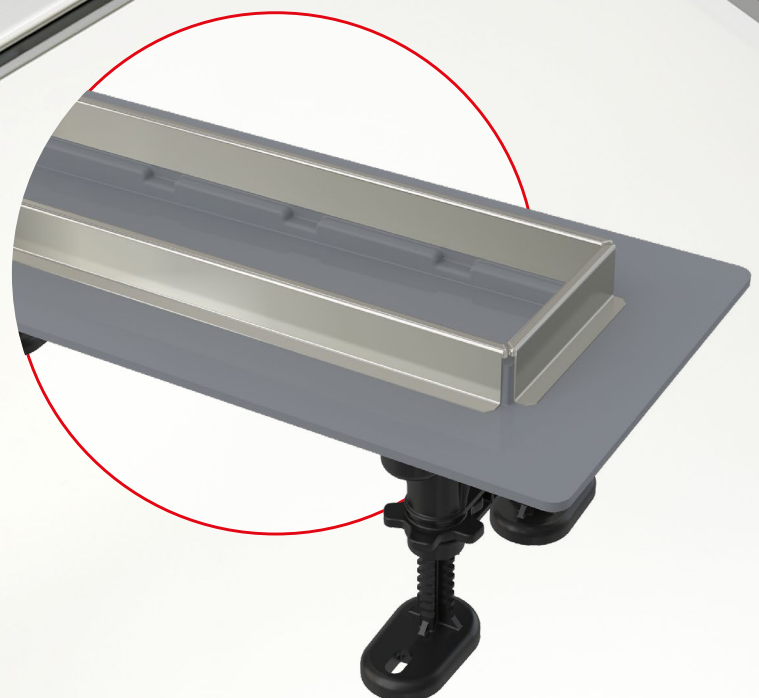
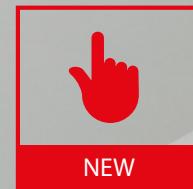


Plastic linear shower drains with STAINLESS STEEL EDGE

Economical
variant for
a perfect
look!



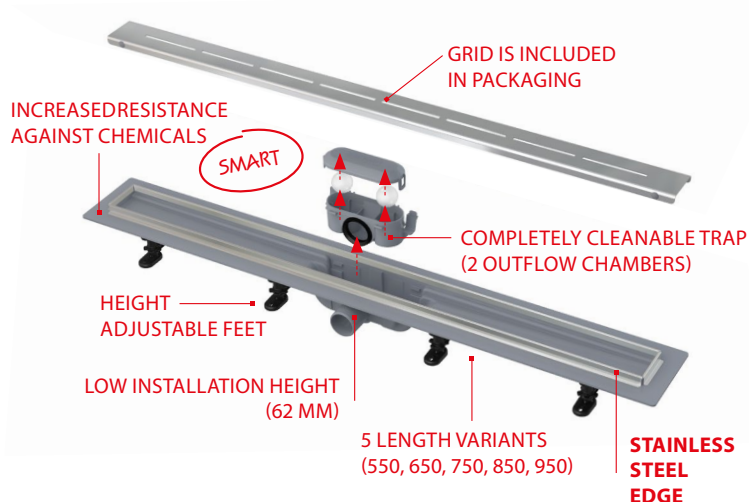
APZ18 Simple

Shower drain and grid included in packaging (550, 650, 750, 850, 950 mm)

Shower drain with stainless steel edge for perforated grid

The plastic shower drain APZ18 is due to the low installation height of 62 mm particularly suitable for the reconstruction of the residential buildings. They are made of highly durable plastic that resists frost and chemistry and is completely cleanable up to the waste pipe. Each package includes the complete shower drain set with a grid and the accessories.

APZ18 Simple	
Length variants of shower drain	550, 650, 750, 850, 950 mm
Installation height	62 mm
Shower drain flow rate	30 l/min
Waste pipe	Ø40 mm
Width of grid	55 mm



Package contents

- shower drain
- grid
- waterproof tape in the length of the shower drain
- combined odour trap with 2 chambers
- anchoring kit (screws, dowels)
- anchor feet
- dismantling hook

APZ22 Optimal

Suitable also for embedding tiles

Shower drain with stainless steel edge for perforated grid or grid for embedding tiles

The plastic shower drain APZ22 has a installation height of 85 mm. It is made of highly durable plastic that resists frost and chemistry and is completely cleanable up to the waste pipe. Perfectly ensures the drainage of showers at the floor level. The high flow rate of 63 l/min is achieved due to the double compartment trap system. The height adjustable plastic anchor legs enable quick and convenient installation, including the precise setting plane. The grid is not included in the packaging.

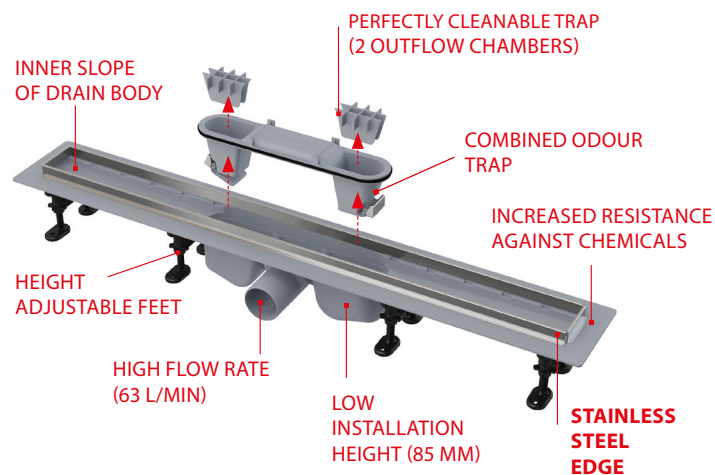
APZ22 Optimal	
Length variants of shower drain	750, 850, 950 mm
Installation height	85 mm
Shower drain flow rate	63 l/min
Waste pipe	Ø50 mm
Width of perforated grid	53 mm

Combined odour trap



If the water does not flow through the waste, the flaps remain closed and even when the water seal dries out they still prevent the odours rising from the sewer.

When the water flows in, the flaps open and allow the water to drain out.



It is suitable not only for the frequently used showers where it ensures the high flow rate, but also to the shower enclosures with a lower frequency of use (recreational areas, areas with seasonal utilization) where insufficient irrigation causes the water drying in the odour trap.