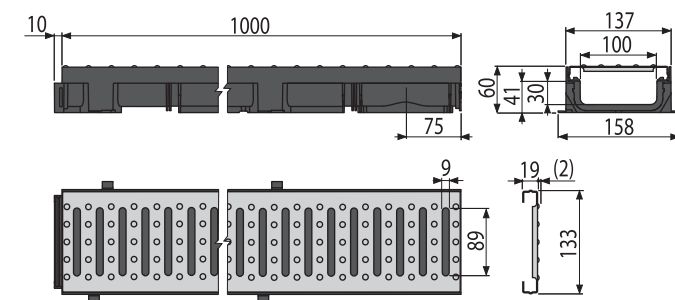
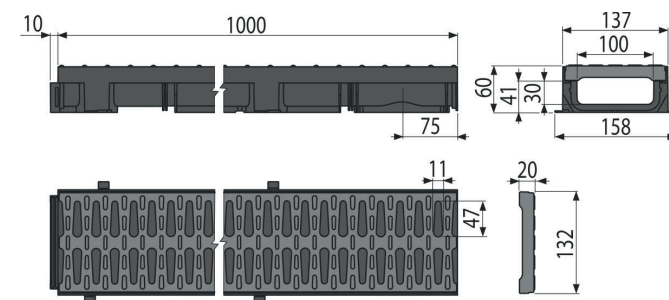




**AVZ112-R102**  
Outdoor drain channel 60 mm with plastic frame and galvanized "C" profile grid A15



**AVZ112-R501**  
Outdoor drain channel 60 mm with plastic frame and plastic grid A15



## OUTDOOR DRAINS LOW

Code	Type of grid	Length:	Width	Height	Inlet cross section	Weight
AVZ112-R501	Plastic grid A15	1000 mm	137 mm	60 mm	320 cm <sup>2</sup> /m	1,4 kg
AVZ112-R102	Galvanized grid A15	1000 mm	137 mm	60 mm	260 cm <sup>2</sup> /m	2,3 kg

Available from II. Q 2021.



terraces



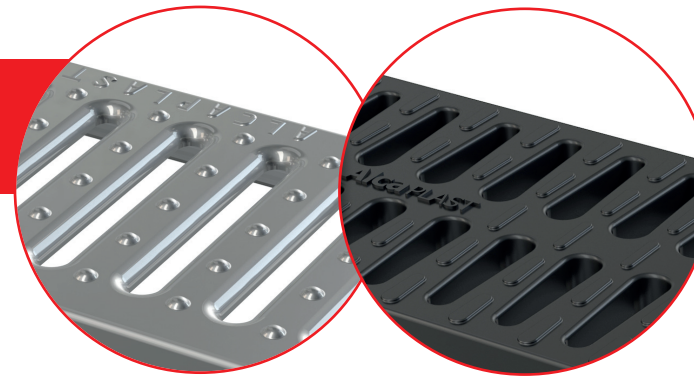
family houses, garages



outdoor areas, parks, sports grounds

## OUTDOOR DRAINAGE SYSTEM LOW

### TWO TYPES OF GRIDS TWO DESIGNS



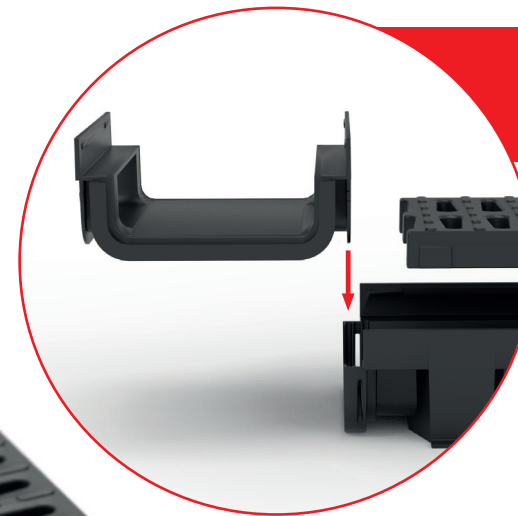
GALVANIZED GRID

PLASTIC GRID

**Plastic grids**  
made of polypropylene are highly resistant to frost, chemicals and UV radiation.

**Metal grids**  
galvanized surface highly resistant to corrosion.

### LOCK MECHANISM



Each part of the drain has at one end a male connection and a female on the other. By inserting the pen a firm connection is created in the groove. Connected drain channels hold the straight line.

**LOW HEIGHT  
60 mm**

# Outdoor drainage system LOW







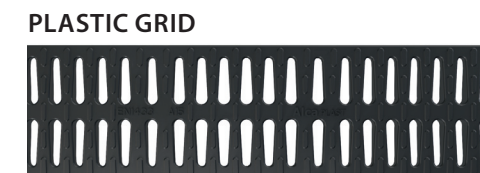
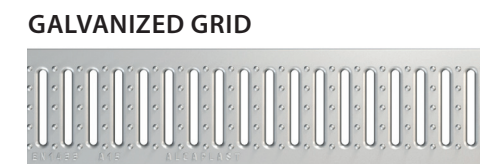
A15

# Outdoor drainage system LOW (height 60 mm)

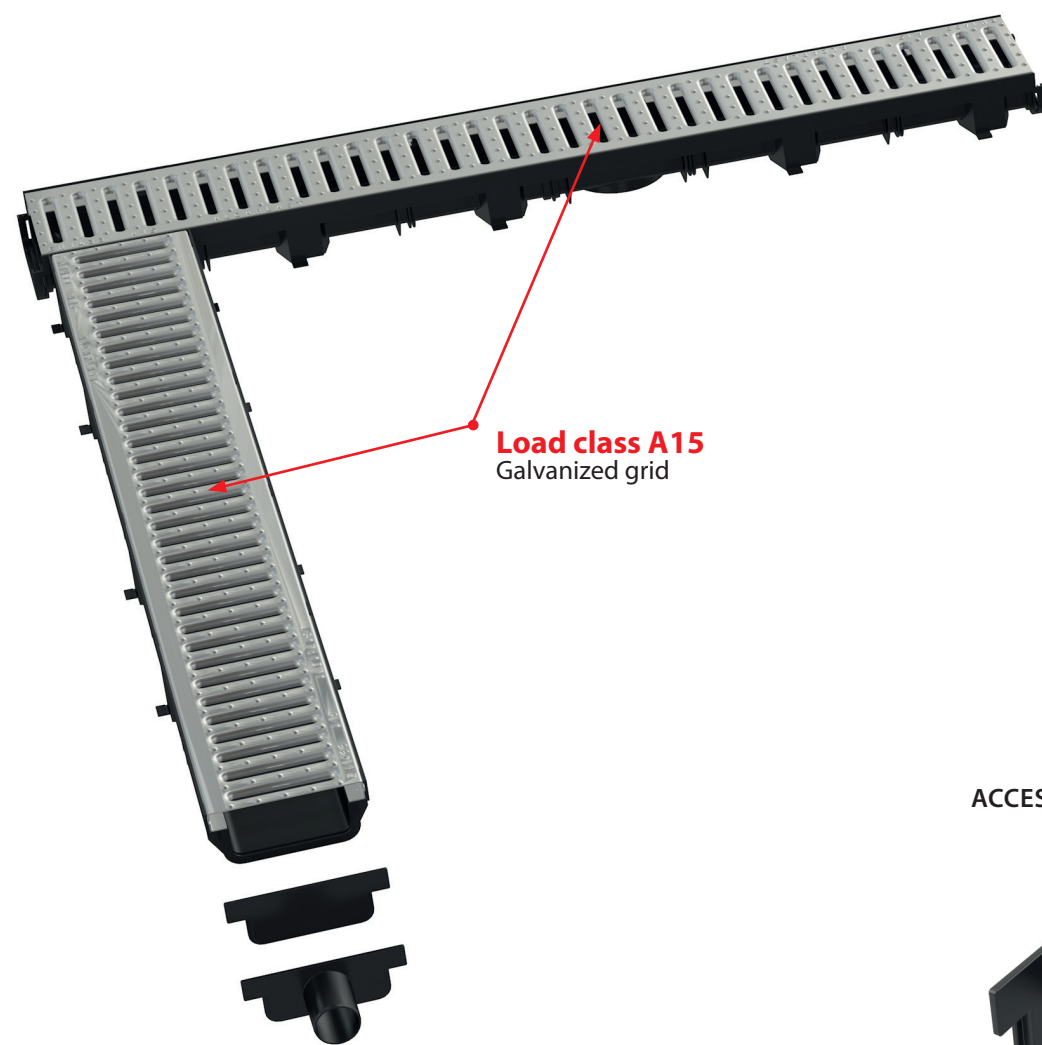
## MODULAR CONNECTION SYSTEM

Sophisticated outdoor drainage system allows easy direct or lateral and variable placement of wastes and tributaries.

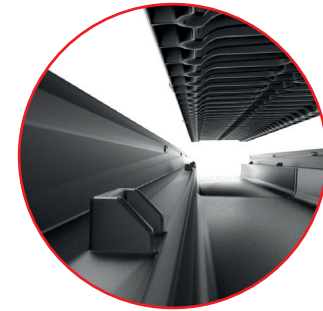
- Low height 60 mm
- Low weight, high solidity
- Increased resistance to frost and road salt
- Modular system for easy installation
- Lock-in mechanism
- Two types of grids
- Many options for shortening the drain body



60 mm

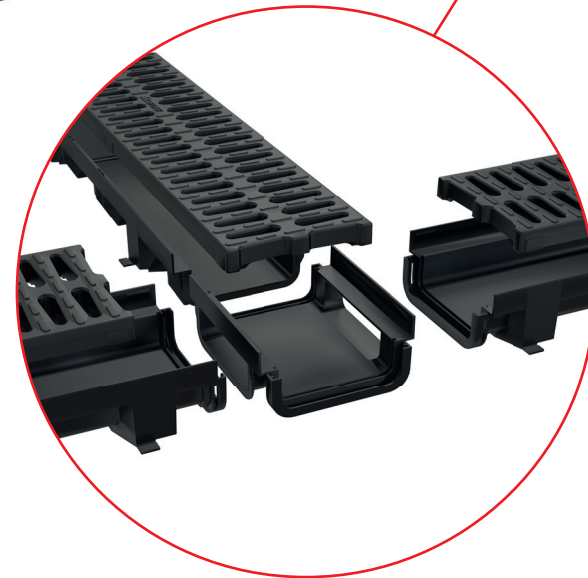


Load class A15  
Galvanized grid



Grid locking without the use of screws prevents longitudinal displacement of the grids.

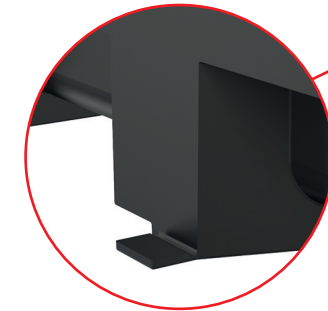
Load class A15  
Plastic grid



Visually hidden connecting part for creating "L", "T" and "X" shapes.



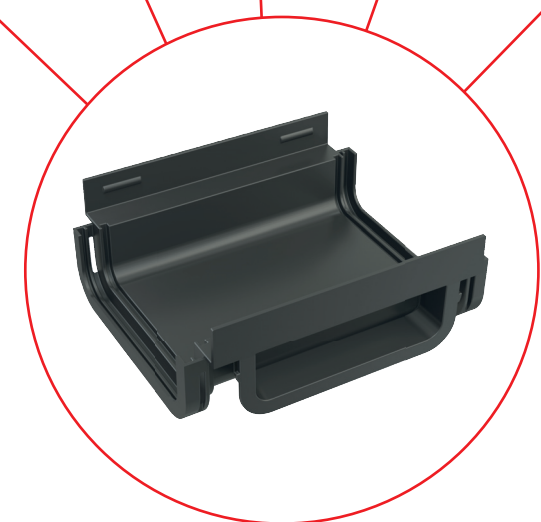
Preformed hole for easy tapping and subsequent connection drain neck DN 110.



Ribbing the body of the grid ensures high stability.



The drain can be shortened anywhere in its length.



Five preformed grooves for shortening the drain body allows the connection of a connecting part.

### ACCESSORIES



AVZ-P018

End cap to close the drain channel with inlet DN40



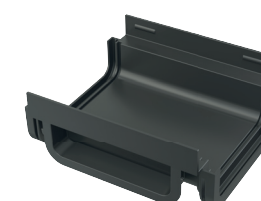
AVZ-P017

End cap to close the drain channel



AVZ-P016

Socket for connection to the waste pipe DN/OD 110



AVZ-P015

Connecting piece of outdoor drain channel AVZ112