

# INFO

4/2016

[www.alcaplast.com](http://www.alcaplast.com)

**NEW**

Universal overflows for basins

Mounting frames A104PB/1120, A117B and A117PB

New composite grids for outdoor drains

Custom colored grids



**NEW**

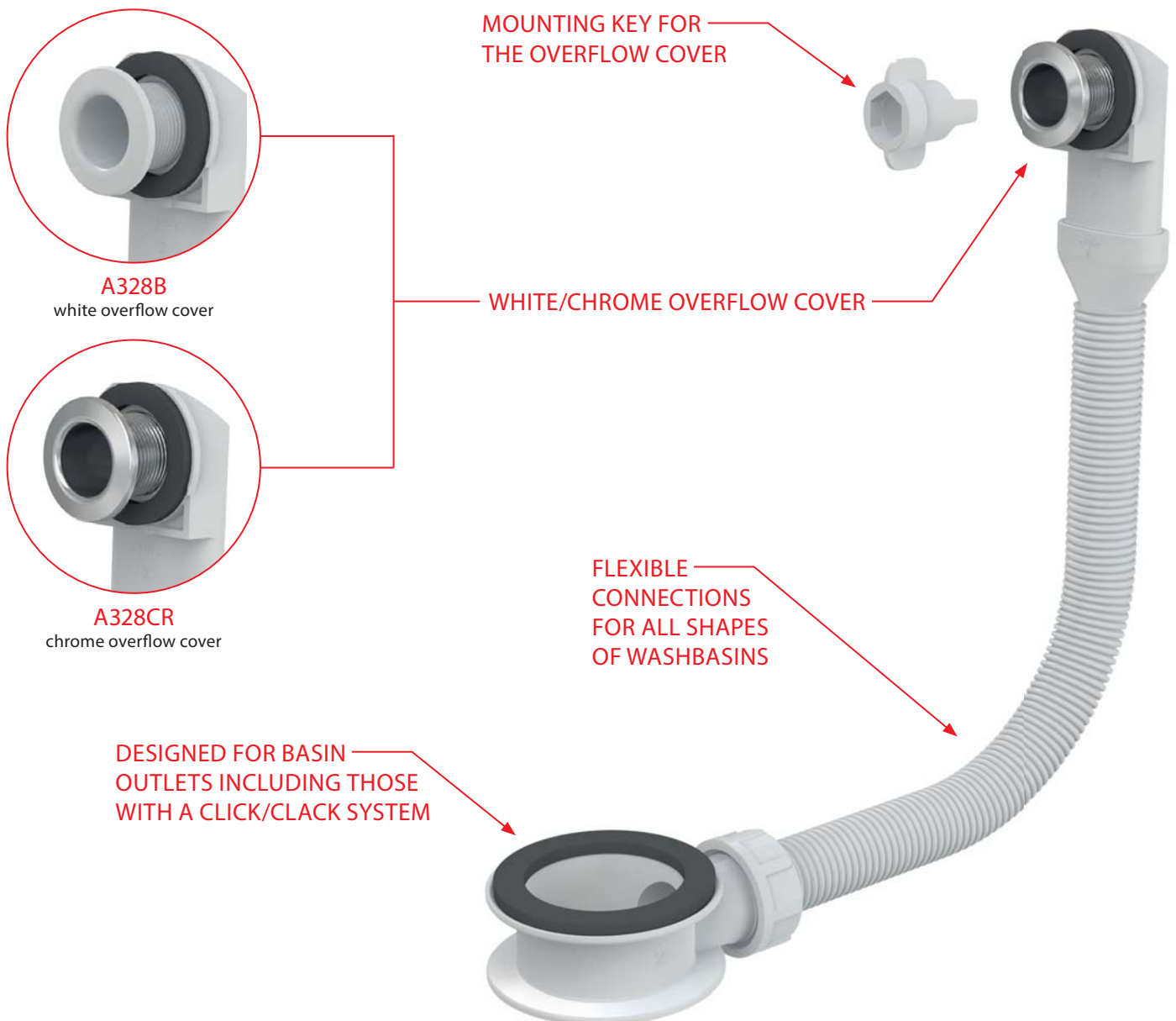
2

## UNIVERSAL OVERFLOWS FOR BASINS

The universal basin overflow is designed for specific types of basins, which do not have an integrated overflow, but they have only one opening for letting out excess water.. They are mainly glass sinks, wooden, plastic or cast marble washbasins. Thanks to its flexible connection it can easily adjust to different shapes and sizes of sinks or basins.

This versatile product can be used in most basin outlets including the outlets with a CLICK/CLACK system.

We offer variants with a white overflow cover or a chrome plated overflow cover.

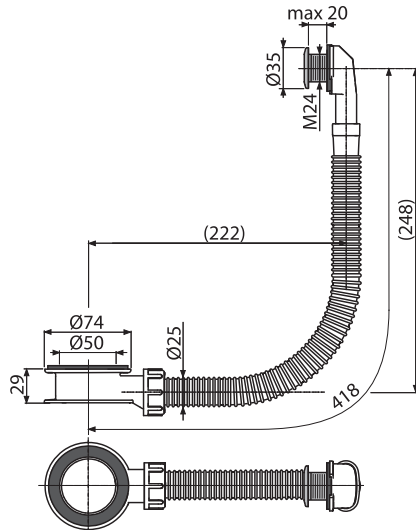


**NEW**

3

**A328B**

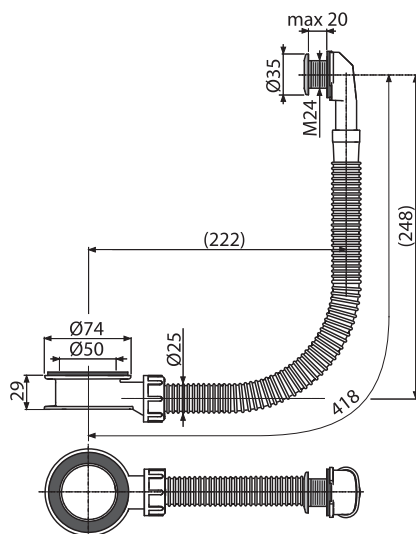
White basin overflow



Packaging – quantity A328B	50 pcs
Dimensions (piece)	290x50x200 mm
Weight (piece)	1,65 kg
EAN	8595580547622

**A328CR**

Chrome overflow basin



Packaging – quantity A328CR	50 pcs
Dimensions (piece)	290x50x200 mm
Weight (piece)	1,65 kg
EAN	8595580547585

**NEW**

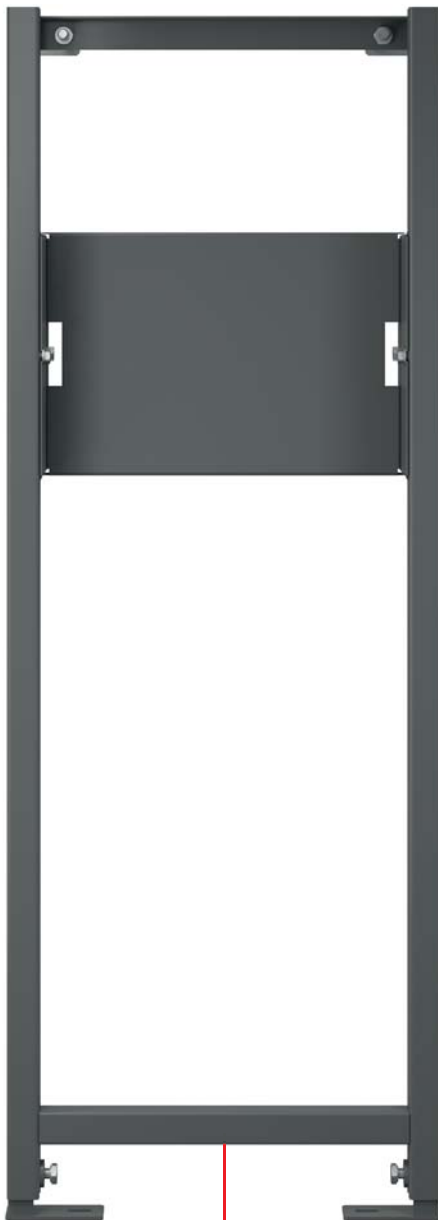
4

## MOUNTING FRAMES A104PB/1120, A117B, A117PB

We are expanding the range of mounting frames for batteries. There is now a complete range of products for all requirements related to installation.

### FRAME ANCHORED TO THE FLOOR AND A SOLID REAR WALL

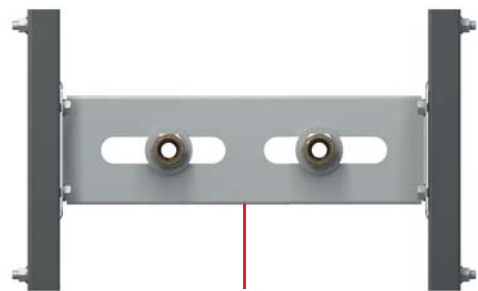
For our traditional wall-mounted battery frame the A104B/1200 we have introduced a new variant of the frame, for concealed batteries, the A104PB/1120.



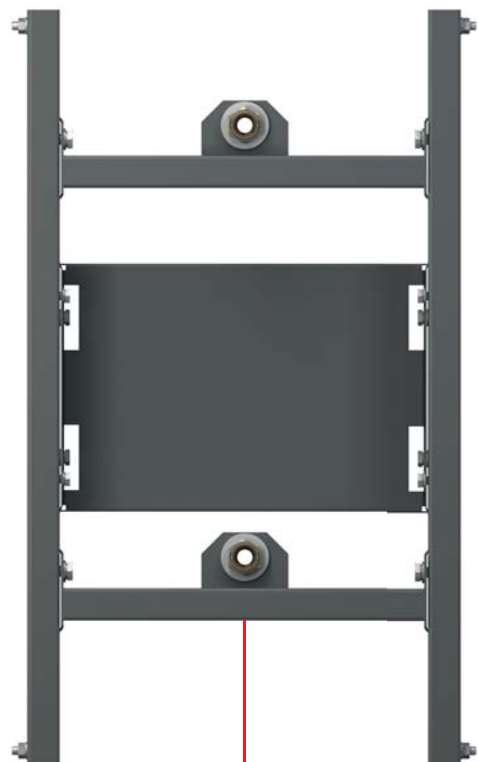
A104PB/1120

### FRAMES ANCHORED TO PLASTERBOARD STRUCTURES

New additions, also include, two frames for wall-mounted and concealed batteries, these frames are mounted directly to the drywall structure and not to the ground.. The possibility of variable mounting and positioning using screws. Thanks to this solution the frames are smaller, lighter and have an improved price range.



A117B



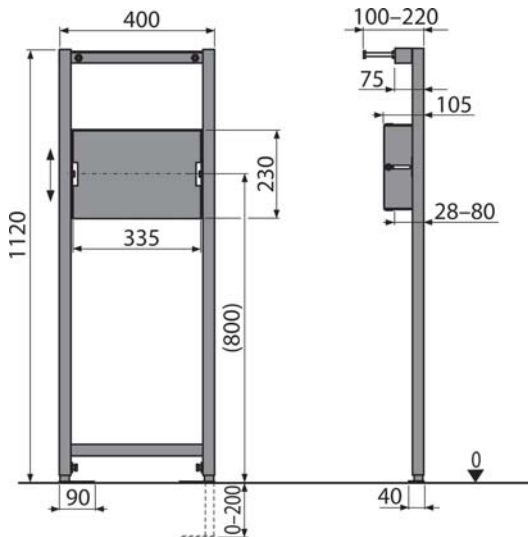
A117PB

**NEW**

5

## A104PB/1120

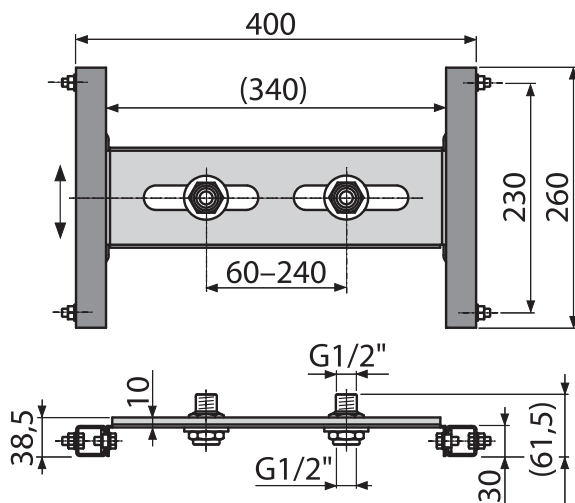
Mounting frame for flush-mounted batteries



Packaging – quantity A104PB/1120	1 pc
Dimensions (piece)	1195×100×410 mm
Weight (piece)	4,74 kg
EAN	8595580546540

## A117B

Mounting frame for batteries mounted in plasterboard structures



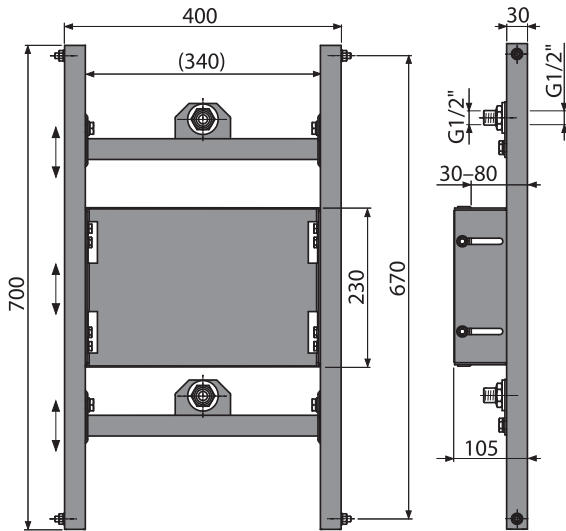
Packaging – quantity A117B	20 pcs
Dimensions (piece)	370×140×80 mm
Weight (piece)	1,91 kg
EAN	8595580547714

**NEW**

6

## A117PB

Mounting frame for built-in mixers in plasterboard structures



Packaging – quantity A117PB	1 pc
Dimensions (piece)	800×470×133 mm
Weight (piece)	6,33 kg
EAN	8595580547721

**NEW**

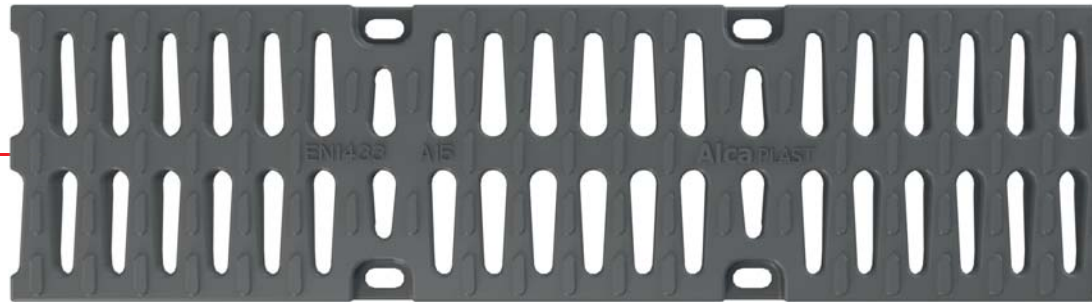
7

## GRIDS FOR OUTDOOR DRAINS

Three new models, 2 composite and 1 plastic, grids have been added to our range of outdoor drains – AVZ-R401, AVZ-R402 and AVZ-R403. These grids are extremely lightweight, have high strength, durability and color stability; also they are frost resistant, do not rust and are not interesting for thieves attracted by metals.

PLASTIC GRID  
AVZ-R401

A15



COMPOSITE GRID  
AVZ-R402

B125






COMPOSITE GRID  
AVZ-R403

C250



### DEFINITION OF LOAD CLASSES ACCORDING TO EN 1433

	Class A15 (15 kN specified load)	Transportation areas used by pedestrians and cyclists. Further areas of similar types, e.g. parks.
	Class B125 (125 kN specified load)	Sidewalks, pedestrian zones and similar areas. Parking exclusively for passenger cars.
	Class C250 (250 kN specified load)	Roads side lines and adjacent sidewalks. Pedestrian zone, professional parking lots for passenger cars.

### ALCAPLAST load categories

HOME, HOME +

STANDARD

PROFI

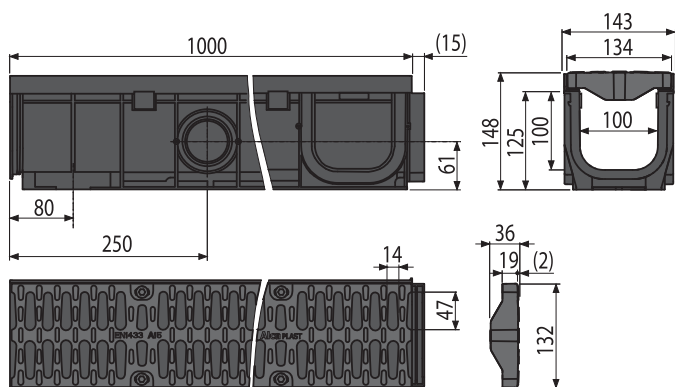
**NEW**

8

## AVZ104-R401

Outdoor drain 100 mm with a plastic frame and plastic grid A15

↓  
**A15**

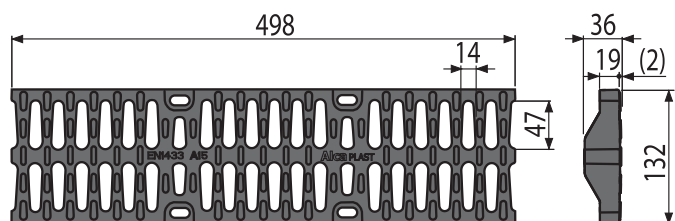


Packaging – quantity AVZ104-R401	1 pc
Dimensions (piece)	150x145x1015 mm
Weight (piece)	3,70 kg
EAN	8595580547745

## AVZ-R401

Grid for outdoor drain AVZ104 plastic A15

↓  
**A15**



Packaging – quantity AVZ-R401	1 pc
Dimensions (piece)	132x36x498 mm
Weight (piece)	0,80 kg
EAN	8595580547769



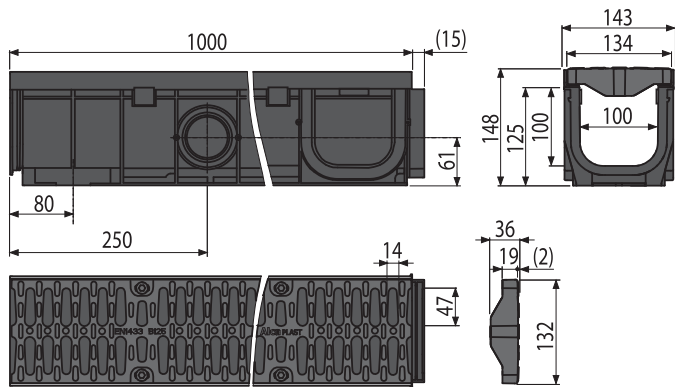
**NEW**

9

**AVZ104-R402**

Outdoor drain 100 mm with plastic frame and composite grid B125

↓  
**B125**

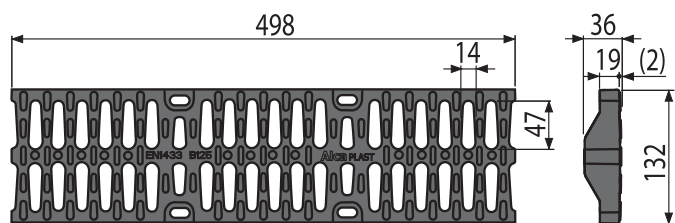


Packaging – quantity AVZ104-R402	1 pc
Dimensions (piece)	150x145x1015 mm
Weight (piece)	3,73 kg
EAN	8595580547264

**AVZ-R402**

Grid for outdoor drain AVZ104 - composite B125

↓  
**B125**



Packaging – quantity AVZ-R402	1 pc
Dimensions (piece)	498x36x132 mm
Weight (piece)	0,82 kg
EAN	8595580547462

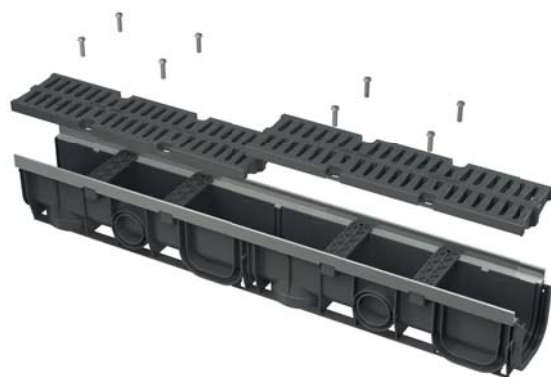
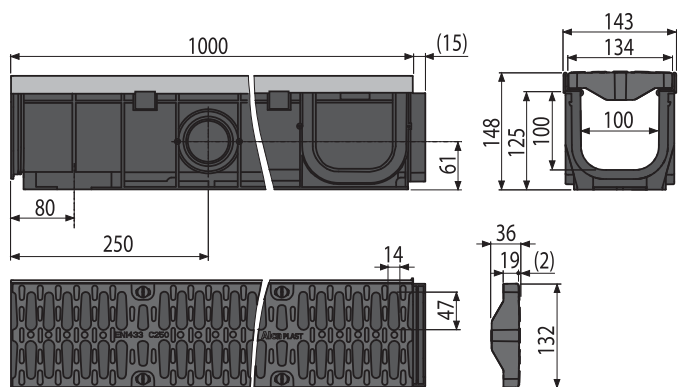
**NEW**

10

**AVZ103-R403**

Outdoor drain 100 mm with a metal frame and composite grid C250

↓  
**C250**

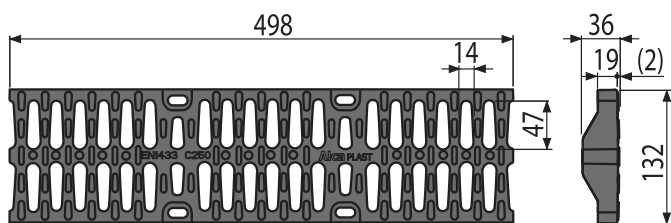


Packaging – quantity AVZ103-R403	1 pc
Dimensions (piece)	150×145×1015 mm
Weight (piece)	3,70 kg
EAN	8595580547752

**AVZ-R403**

Grid for outdoor drain AVZ103 composite C250

↓  
**C250**



Packaging – quantity AVZ-R403	1 pc
Dimensions (piece)	498×36×132 mm
Weight (piece)	0,80 kg
EAN	8595580547868

**NEW**

11

## CUSTOM COLORED GRIDS

NEW! we will be adding outdoor drainage system grids in colored finishes according to customer requirements. (non-standard production). Prices will be determined individually according to the color and quantity of grids required.

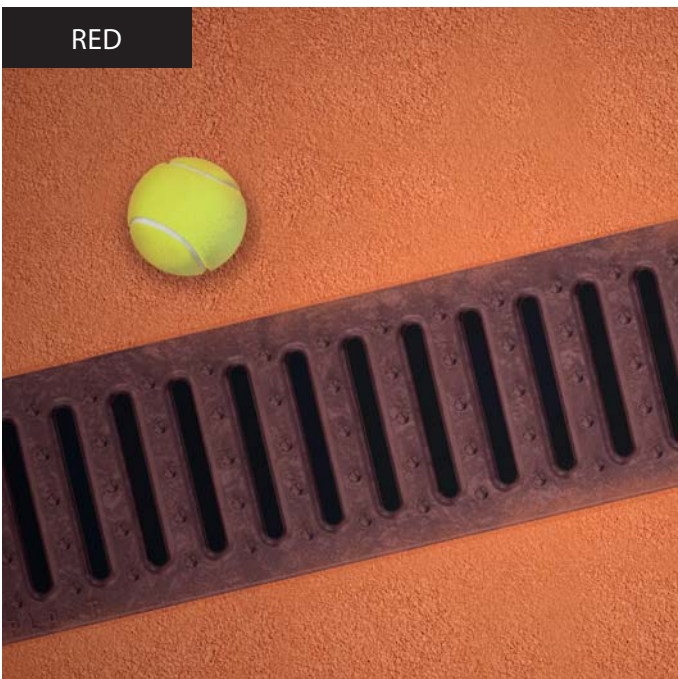
The colored grating design allows for better blending of outdoor drainage system to the surrounding environment, or even to meet demanding design solutions. For further information, please contact our sales representative.

### SAMPLES OF POSSIBLE COLORS:

ANTHRACITE



RED



GREEN



The ALCAPLAST team of specialists is always on hand to help with design, installation and quote project prices!

Czech product  
ISO 9001:2008



# Alca PLAST<sup>®</sup>

CZECH REPUBLIC

---

Alca plast, s. r. o.  
Bratislavská 2846, 690 02 Breclav  
tel.: +420 519 821 117 – Sales Dept. CZ  
tel.: +420 519 821 041 – Export Dept.  
fax: +420 519 821 083  
alcaplast@alcaplast.com  
**www.alcaplast.com**

© Alca plast, s. r. o.  
Changes in prices, dimensions and designs reserved.