

INFO

6/2016

www.alcaplast.com



NEW

Facade and terrace drainage channels
SOLID grid for linear drain APZ12
Product catalogue 2016

NEW

2

PLASTIC LINEAR DRAIN APZ12 OPTIMAL

Brand new floor drain of highly durable plastic, that can withstand frost and chemicals, which ensure perfect drainage of showers at floor level. Adjustable plastic anchoring legs allow for a fast and convenient installation, including precise setting of the required level.

100% EASY CLEAN TRAP
One odour trap is standard, but the ALCA linear shower drain utilizes a two-flow compartment system, with removable inlet parts. This creates a dual odour trap system that allows simple and complete cleaning of both compartments and the waste pipe.

SLOPED DRAIN CHANNEL
Channel body is sloped towards the center and thus ensuring a higher flow-rate and better self-cleaning properties.

COMBINED ODOUR TRAP
When water flows in, the flaps open and allow the water to drain out
If water does not flow through the trap, the valves remain closed. Also, In case the water odour trap dries out, the valves still prevent the smell from rising out of the sewer.

4 LENGTH VARIANTS
750, 850, 950 and 1050 mm.

FLOW RATE 63 L/MIN.
ALCA Linear drain APZ12 Optimal with the special dual compartment trap, ensures flow rates of up to 63 l/min. This guarantees that no flooding will occur in your bathroom even when using big format shower heads with a very high flow rate of water.

LOW INSTALLATION HEIGHT
85 mm

ADJUSTABLE FEET
0-27 mm

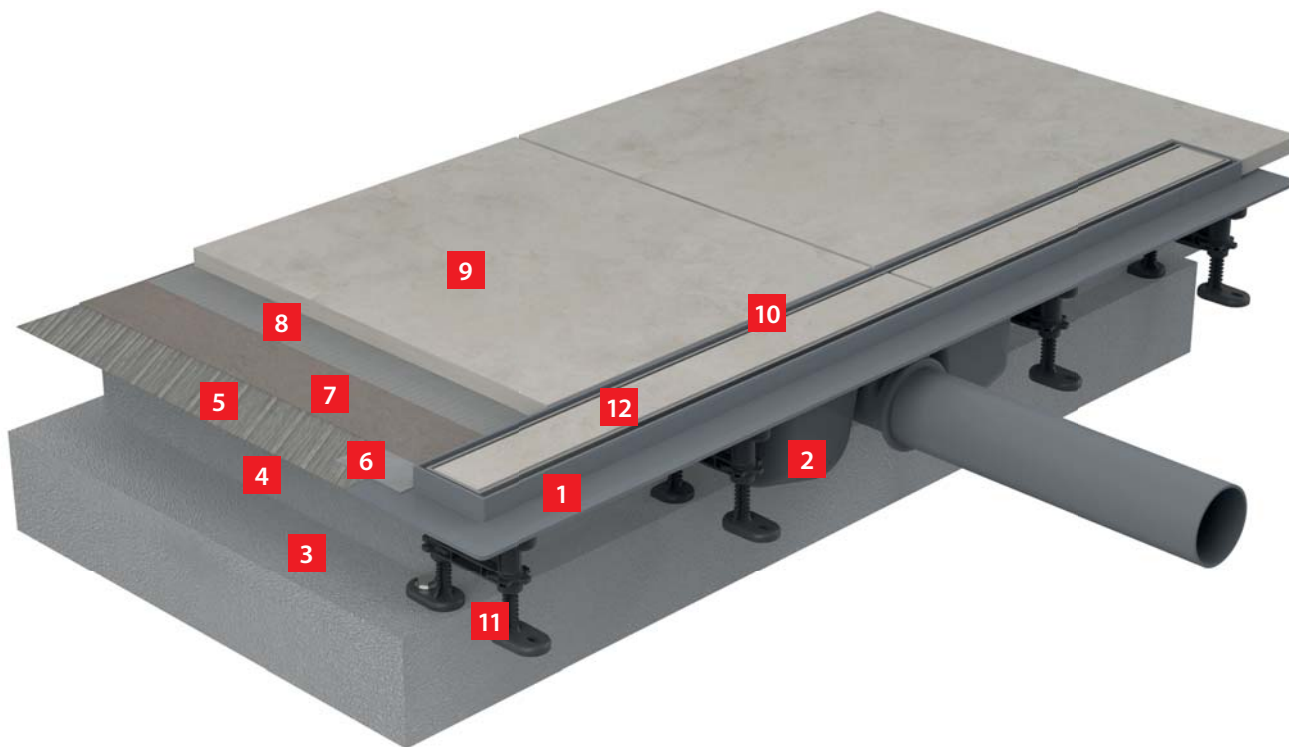
HT50

- Easy installation
- Convenient and quick anchoring to the floor
- Accurate and solid straight surface setting
- Material PP

NEW

3

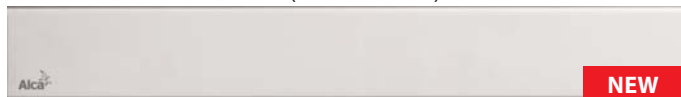
LINEAR PLASTIC DRAIN APZ12 OPTIMAL



- | | | | |
|-------------------------------------|-----------------------------|---------------------------------|-----------------------------|
| 1 Linear drain APZ12 Optimal | 4 Concrete screed | 7 Waterproofing material | 10 Flexible filler |
| 2 Waste trap | 5 Primer coat | 8 Adhesive | 11 Installation legs |
| 3 Foundation slab | 6 Waterproofing tape | 9 Floor tiles | 12 Grid TILE |

GRIDS FOR LINEAR DRAIN APZ12 OPTIMAL

SOLID Grid for linear drain (stainless steel)



LINE Grid for linear drain (stainless steel)



PURE Grid for linear drain (stainless steel)



CUBE Grid for linear drain (stainless steel)



TILE Grid for embedding tiles (stainless steel)



HOPE Grid for linear drain (stainless steel)



BUBBLE Grid for linear drain (stainless steel)



DREAM Grid for linear drain (stainless steel)

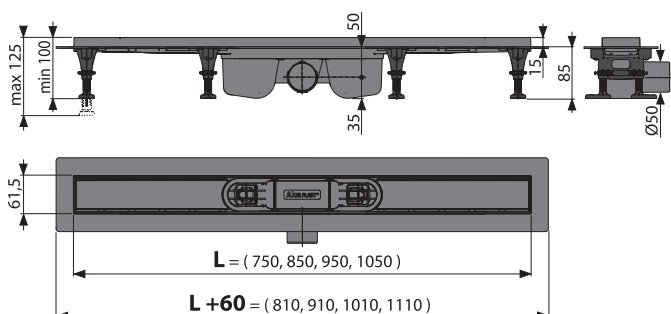


NEW

4

APZ12 Optimal

Linear drain with an edge for perforated grids or tile embedding



Packaging – quantity APZ12-750	12 pc
Dimensions (piece)	125×150×820 mm
Weight (piece)	1,46 kg
EAN	8595580541033

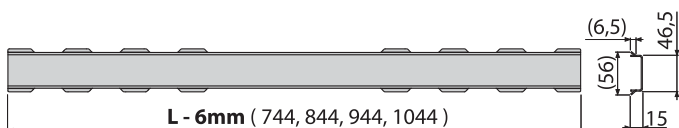
Packaging – quantity APZ12-950	12 pc
Dimensions (piece)	125×150×1020 mm
Weight (piece)	1,58 kg
EAN	8595580541057

Packaging – quantity APZ12-850	12 pc
Dimensions (piece)	125×150×920 mm
Weight (piece)	1,51 kg
EAN	8595580541040

Packaging – quantity APZ12-1050	12 pc
Dimensions (piece)	125×150×1120 mm
Weight (piece)	1,64 kg
EAN	8595580541064

SOLID

Grid for linear drain (stainless steel)



Packaging – quantity SOLID-750	1 pc
Dimensions (piece)	744×55×15 mm
Weight (piece)	0,71 kg
EAN	8595580548797

Packaging – quantity SOLID-950	1 pc
Dimensions (piece)	944×55×15 mm
Weight (piece)	0,86 kg
EAN	8595580548810

Packaging – quantity SOLID-850	1 pc
Dimensions (piece)	844×55×15 mm
Weight (piece)	0,79 kg
EAN	8595580548803

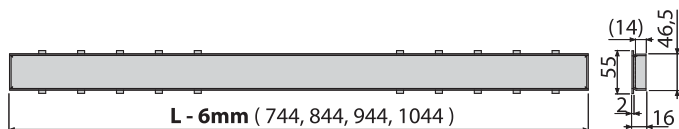
Packaging – quantity SOLID-1050	1 pc
Dimensions (piece)	1044×55×15 mm
Weight (piece)	0,94 kg
EAN	8595580548827

NEW

5

TILE

Grid for embedding tiles



Packaging – quantity TILE-750	1 pc
Dimensions (piece)	744x55x14 mm
Weight (piece)	1,1693 kg
EAN	8595580542993

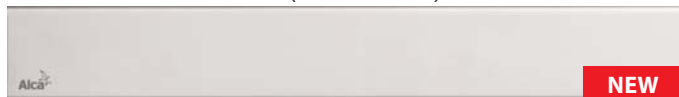
Packaging – quantity TILE-950	1 pc
Dimensions (piece)	944x55x14 mm
Weight (piece)	1,4585 kg
EAN	8595580543013

Packaging – quantity TILE-850	1 pc
Dimensions (piece)	844x55x14 mm
Weight (piece)	1,3139 kg
EAN	8595580543006

Packaging – quantity TILE-1050	1 pc
Dimensions (piece)	1044x55x14 mm
Weight (piece)	1,6131 kg
EAN	8595580543020

GRIDS FOR LINEAR DRAIN APZ12 OPTIMAL

SOLID Grid for linear drain (stainless steel)



LINE Grid for linear drain (stainless steel)



PURE Grid for linear drain (stainless steel)



CUBE Grid for linear drain (stainless steel)



TILE Grid for embedding tiles (stainless steel)



HOPE Grid for linear drain (stainless steel)



BUBBLE Grid for linear drain (stainless steel)



DREAM Grid for linear drain (stainless steel)



NEW

6

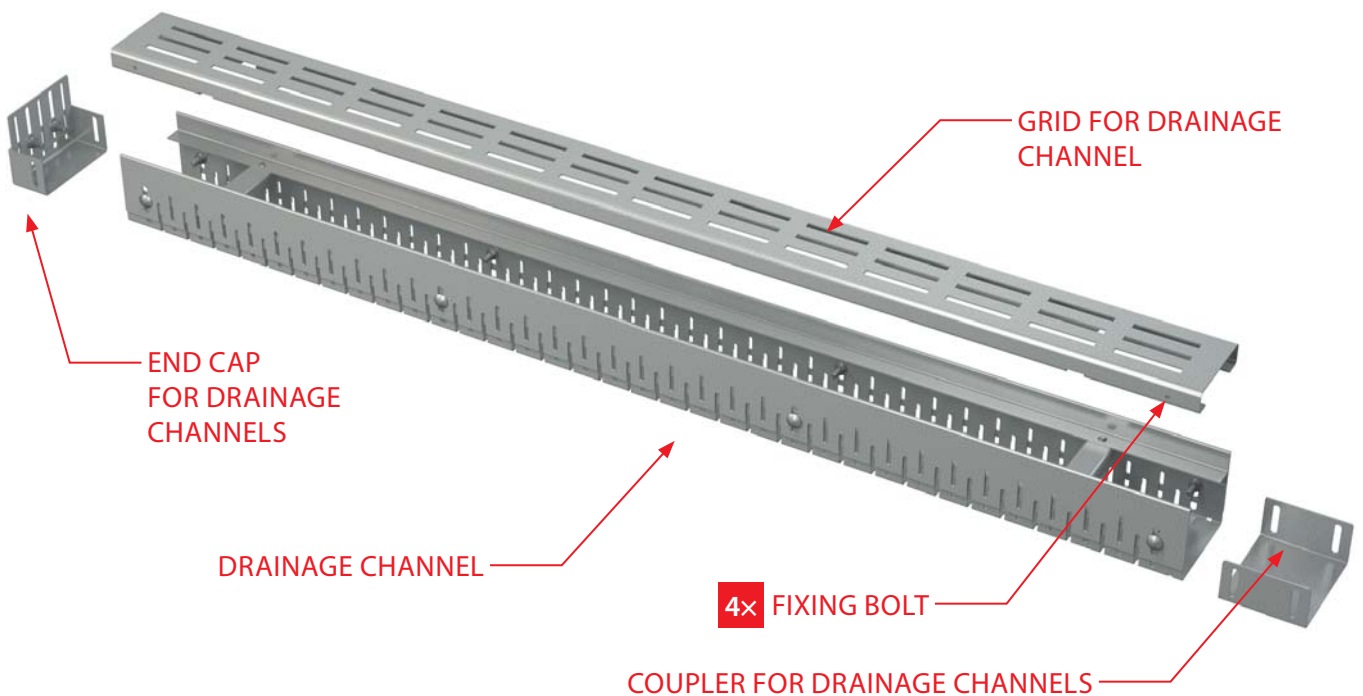
FACADE AND TERRACE DRAINAGE CHANNELS

Facade and terrace drainage channels extend our range of outdoor drainage systems. They are especially suitable for the drainage of surface water that accumulates around buildings when it rains, but also from snow that melts faster around buildings.

POLISHED
STAINLESS
STEEL GRIDS

ADJUSTABLE
DRAIN HEIGHT
60–80 MM

25 YEARS
GUARANTEE
FOR STAINLESS
STEEL DRAINAGE
CHANNELS



Features:

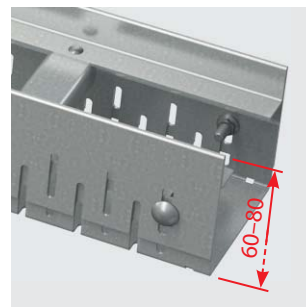
- 2 types of materials (galvanized steel/stainless steel)
- Grid width: 75 and 100 mm
- Standard length of drainage channels is 1 m
- Height adjustable channel body 60–80 mm
- Load class K3 = 300 kg
- Accessories: coupler, end cap (galvanized steel/stainless steel)
- 4 grid designs (galvanized steel/stainless steel)

Advantages:

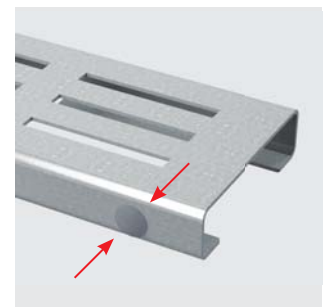
- Easy installation
- Simple cleaning
- High quality product
- Height adjustable drainage channels
- The possibility of custom production
- Fixing bolts – ensure perfect attachment of the grid in the drain and eliminates the sound effect during use of the drain

Application:

- Balconies and terraces
- Permeable areas in the garden
- Drainage along building facades
- Protection of buildings against the ingress of water, or even from water sprayed on the facade when it rains.



ADJUSTABLE DRAIN HEIGHT
60–80 MM

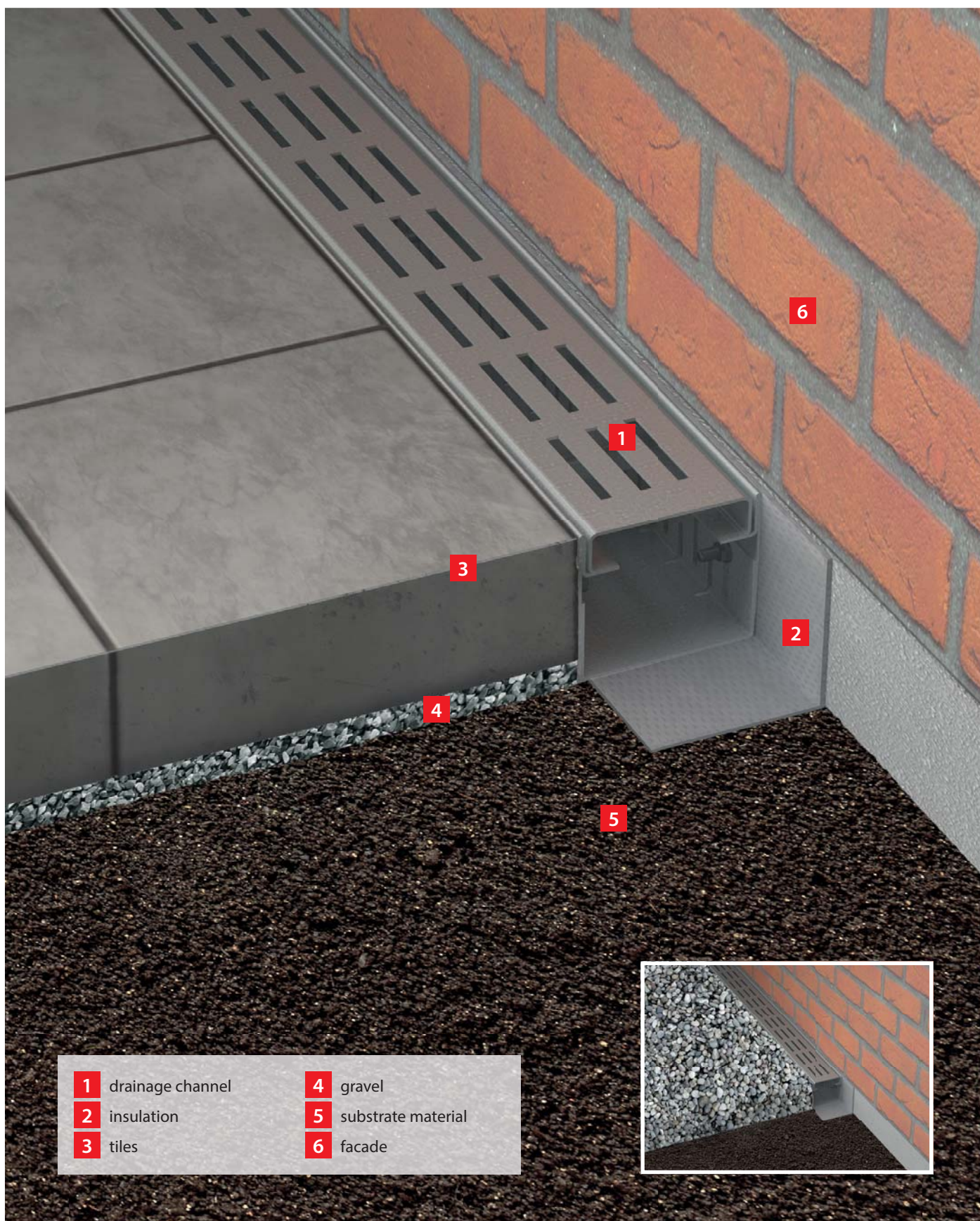


FIXING BOLTS

NEW

7

FACADE AND TERRACE DRAINAGE CHANNELS

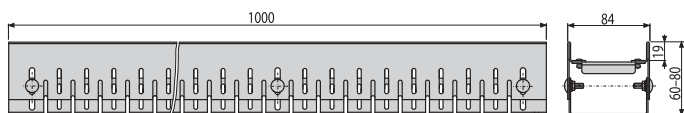


NEW

8

ADZ101V/301V

Drainage channel 75 mm adjustable, galvanized steel/stainless steel



ADZ-R101/R301

Grid for drainage channel 75 mm galvanized steel/stainless steel



ADZ-R102/R302

Grid for drainage channel 75 mm galvanized steel/stainless steel



ADZ-R103/R303

Grid for drainage channel 75 mm galvanized steel/stainless steel



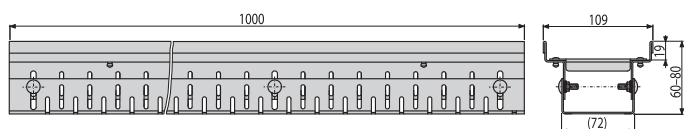
ADZ-R104/R304

Grid for drainage channel 75 mm galvanized steel/stainless steel



ADZ102V/302V

Drainage channel 100 mm adjustable, galvanized steel/stainless steel



ADZ-R121/R321

Grid for drainage channel 100 mm galvanized steel/stainless steel



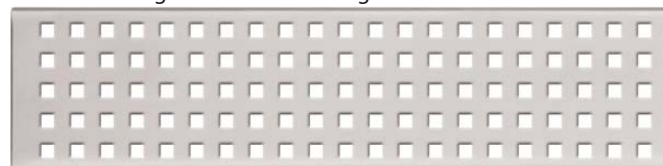
ADZ-R122/R322

Grid for drainage channel 100 mm galvanized steel/stainless steel



ADZ-R123/R323

Grid for drainage channel 100 mm galvanized steel/stainless steel



ADZ-R124/R324

Grid for drainage channel 100 mm galvanized steel/stainless steel

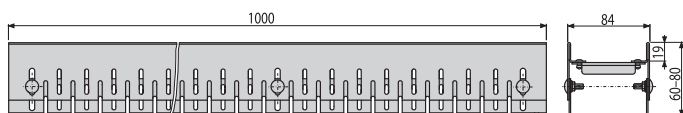


NEW

9

ADZ101V/301V

Drainage channel 75 mm adjustable, galvanized steel/stainless steel

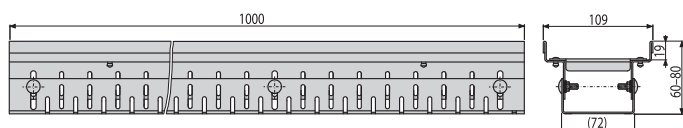


Packaging – quantity ADZ101V	1 pc
Dimensions (piece)	85×60×1000 mm
Weight (piece)	3,32 kg
EAN	8595580547981

Packaging – quantity ADZ301V	1 pc
Dimensions (piece)	85×60×1000 mm
Weight (piece)	3,32 kg
EAN	8595580547950

ADZ102V/302V

Drainage channel 100 mm adjustable, galvanized steel/stainless steel



Packaging – quantity ADZ102V	1 pc
Dimensions (piece)	110×60×1000 mm
Weight (piece)	3,03 kg
EAN	8595580547974

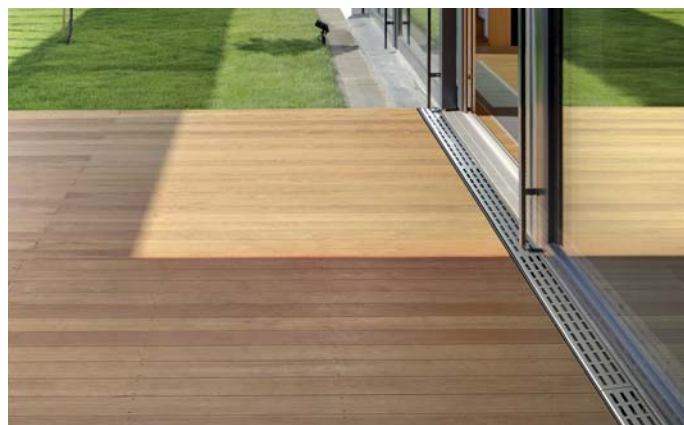
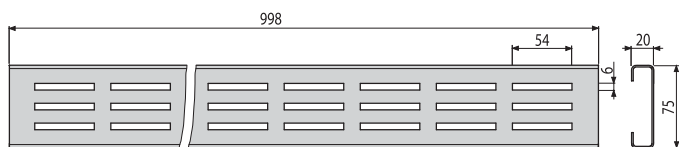
Packaging – quantity ADZ302V	1 pc
Dimensions (piece)	110×60×1000 mm
Weight (piece)	3,03 kg
EAN	8595580547967

NEW

10

ADZ-R101/R301

Grid for drainage channel 75 mm, galvanized steel/stainless steel



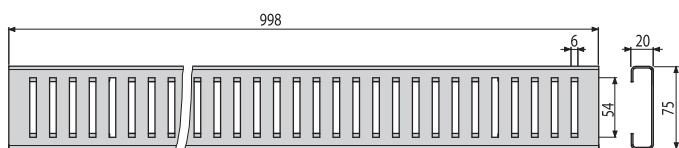
Packaging – quantity ADZ-R101	1 pc
Dimensions (piece)	75×20×998 mm
Weight (piece)	1,20 kg
EAN	8595580548001



Packaging – quantity ADZ-R301	1 pc
Dimensions (piece)	75×20×998 mm
Weight (piece)	1,20 kg
EAN	8595580548056

ADZ-R102/ R302

Grid for drainage channel 75 mm, galvanized steel/stainless steel



Packaging – quantity ADZ-R302	1 pc
Dimensions (piece)	75×20×998 mm
Weight (piece)	1,16 kg
EAN	8595580548063



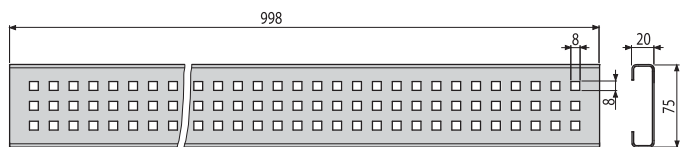
Packaging – quantity ADZ-R102	1 pc
Dimensions (piece)	75×20×998 mm
Weight (piece)	1,16 kg
EAN	8595580547998

NEW

11

ADZ-R103/ R303

Grid for drainage channel 75 mm, galvanized steel/stainless steel



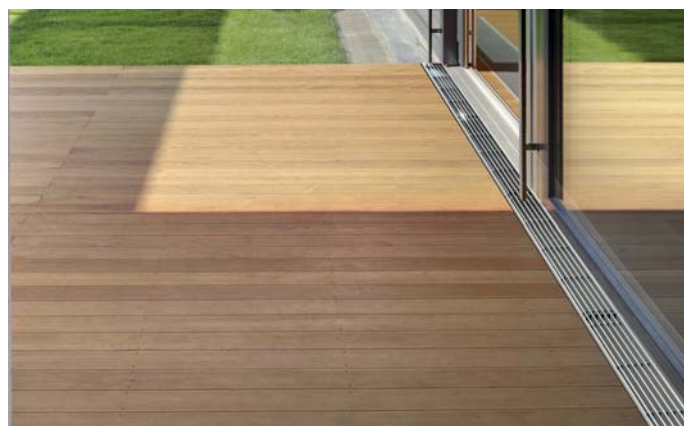
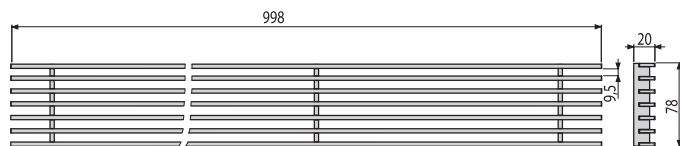
Packaging – quantity ADZ-R103	1 pc
Dimensions (piece)	75×20×998 mm
Weight (piece)	1,23 kg
EAN	8595580548018



Packaging – quantity ADZ-R303	1 pc
Dimensions (piece)	75×20×998 mm
Weight (piece)	1,23 kg
EAN	8595580548070

ADZ-R104/ R304

Grid for drainage channel 75 mm, galvanized steel/stainless steel



Packaging – quantity ADZ-R104	1 pc
Dimensions (piece)	75×20×998 mm
Weight (piece)	2,61 kg
EAN	8595580548629



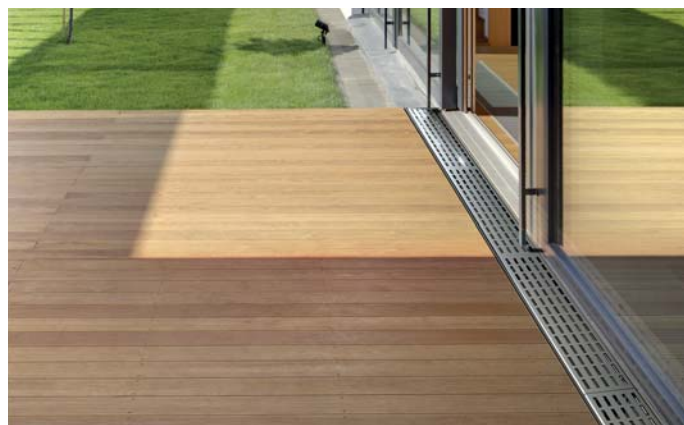
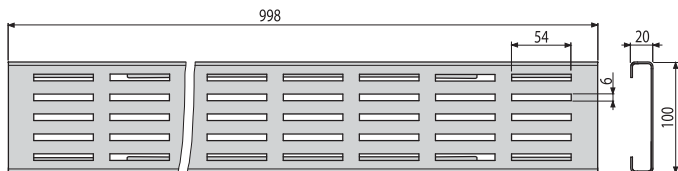
Packaging – quantity ADZ-R304	1 pc
Dimensions (piece)	75×20×998 mm
Weight (piece)	2,61 kg
EAN	8595580548599

NEW

12

ADZ-R121/ R321

Grid for drainage channel 100 mm, galvanized steel/stainless steel



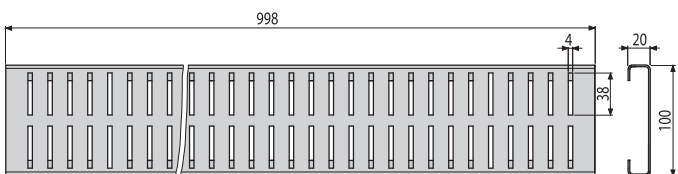
Packaging – quantity ADZ-R121	1 pc
Dimensions (piece)	100x20x998 mm
Weight (piece)	1,36 kg
EAN	8595580548025



Packaging – quantity ADZ-R321	1 pc
Dimensions (piece)	100x20x998 mm
Weight (piece)	1,36 kg
EAN	8595580548087

ADZ-R122/R322

Grid for drainage channel 100 mm, galvanized steel/stainless steel



Packaging – quantity ADZ-R122	1 pc
Dimensions (piece)	100x20x998 mm
Weight (piece)	1,42 kg
EAN	8595580548032



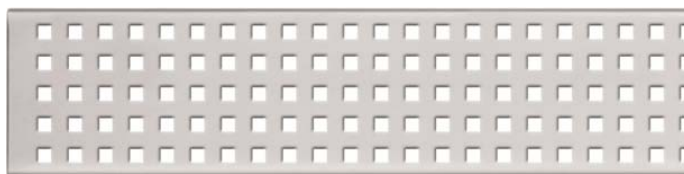
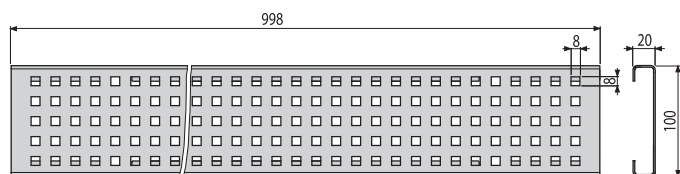
Packaging – quantity ADZ-R 322	1 pc
Dimensions (piece)	100x20x998 mm
Weight (piece)	1,42 kg
EAN	8595580548094

NEW

13

ADZ-R123/R323

Grid for drainage channel 100 mm, galvanized steel/stainless steel

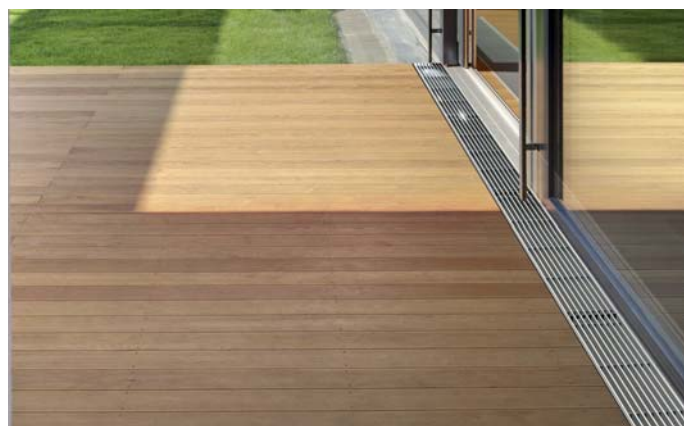
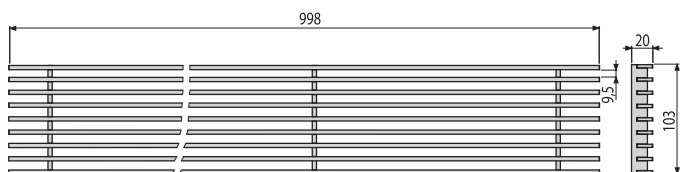


Packaging – quantity ADZ-R123	1 pc
Dimensions (piece)	100x20x998 mm
Weight (piece)	1,41 kg
EAN	8595580548049

Packaging – quantity ADZ-323	1 pc
Dimensions (piece)	100x20x998 mm
Weight (piece)	1,41 kg
EAN	8595580548100

ADZ-R124/R324

Grid for drainage channel 100 mm, galvanized steel/stainless steel



Packaging – quantity ADZ-R124	1 pc
Dimensions (piece)	100x20x998 mm
Weight (piece)	3,36 kg
EAN	8595580548612

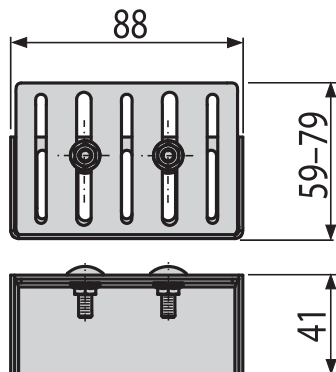
Packaging – quantity ADZ-R324	1 pc
Dimensions (piece)	100x20x998 mm
Weight (piece)	3,36 kg
EAN	8595580548605

NEW

14

ADZ-P001/P003

End cap for drainage channel 75 mm, stainless steel/galvanized steel

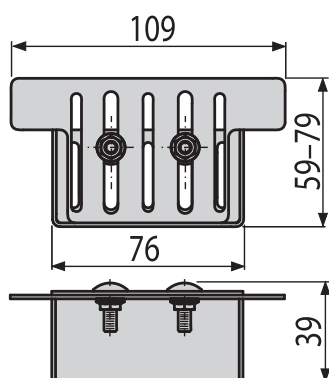


Packaging – quantity ADZ-P001	1 pc
Dimensions (piece)	59×41×88 mm
Weight (piece)	0,14 kg
EAN	8595580548117

Packaging – quantity ADZ-P003	1 pc
Dimensions (piece)	59×41×88 mm
Weight (piece)	0,14 kg
EAN	8595580548131

ADZ-P002/P004

End cap for drainage channel 100 mm, stainless steel/galvanized steel



Packaging – quantity ADZ-P002	1 pc
Dimensions (piece)	59×39×109 mm
Weight (piece)	0,12 kg
EAN	8595580548124

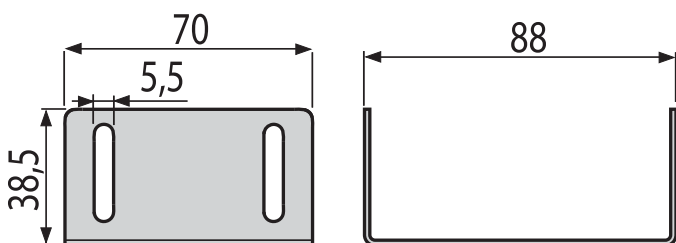
Packaging – quantity ADZ-P004	1 pc
Dimensions (piece)	59×39×109 mm
Weight (piece)	0,12 kg
EAN	8595580548148

NEW

15

ADZ-P005/P007

Coupler for drainage channel 75 mm, stainless steel/galvanized steel

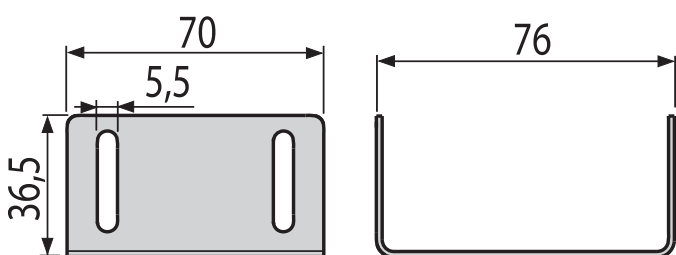


Packaging – quantity ADZ-P005	1 pc
Dimensions (piece)	38,5×70×88 mm
Weight (piece)	0,11 kg
EAN	8595580548155

Packaging – quantity ADZ-P007	1 pc
Dimensions (piece)	38,5×70×88 mm
Weight (piece)	0,11 kg
EAN	8595580548179

ADZ-P006/P008

Coupler for drainage channel 100 mm, stainless steel/galvanized steel



Packaging – quantity ADZ-P006	1 pc
Dimensions (piece)	36,5×70×76 mm
Weight (piece)	0,10 kg
EAN	8595580548162

Packaging – quantity ADZ-P008	1 pc
Dimensions (piece)	36,5×70×76 mm
Weight (piece)	0,10 kg
EAN	8595580548186

NEW

16

PRODUCT CATALOGUE 2016

We have prepared an updated **Product catalogue 2016**. It contains all product innovations, including those to which you can look forward to this year. To download the electronic version go to www.alcaplast.com.



The ALCAPLAST team of specialists is always on hand to help with design, installation and quote project prices!

Czech product
ISO 9001:2008



Alca PLAST[®]

CZECH REPUBLIC

Alca plast, s. r. o.
Bratislavská 2846, 690 02 Breclav
tel.: +420 519 821 117 – Sales Dept. CZ
tel. : +420 519 821 041 – Export Dept.
fax: +420 519 821 083
alcaplast@alcaplast.com
www.alcaplast.com