

INFO

8/2016

www.alcaplast.com



NEW

Shortened toilet seat A674S

Improved hinges for Duroplast WC Seats

Double elbow for connecting appliances to the waste

Drain box for our outdoor drainage system

Outdoor slotted drain

NEW

2

DOUBLE ELBOW FOR CONNECTING APPLIANCES TO WASTE

Based on high demand from installers, we started to produce another double elbow. Elbow P149Z is intended for connecting outlet hoses and condensate, to different types of traps. Thanks to the variable diameter of the elbow it is possible to connect it to almost all types of common household appliances such as washing machine, dishwasher, dryer, condensing boiler, air conditioning, heat recovery, etc.

Double elbows allow you to link two waste water sources simultaneously. It includes non-return valves to prevent backflow of water into the individual appliances. This solution is suitable for systems that do not have their own non-return valves. Partition regulating water flow directs water from the second elbow.

Novelty **P149Z** is designed to be used for washers and dryers, for example the simple elbow **P0049-ND** can also be ordered separately.

ELBOW FOR A HOSE CONNECTION WITH A DIAMETER OF 17-23 MM
Washing machines, dishwashers and so on.

PLUG
The red plug is used for blinding the connector, if it is not used.

ELBOW FOR HOSE CONNECTION WITH A DIAMETER OF 8-16 MM
Dryers, boilers, air conditioning, heat recovery etc.

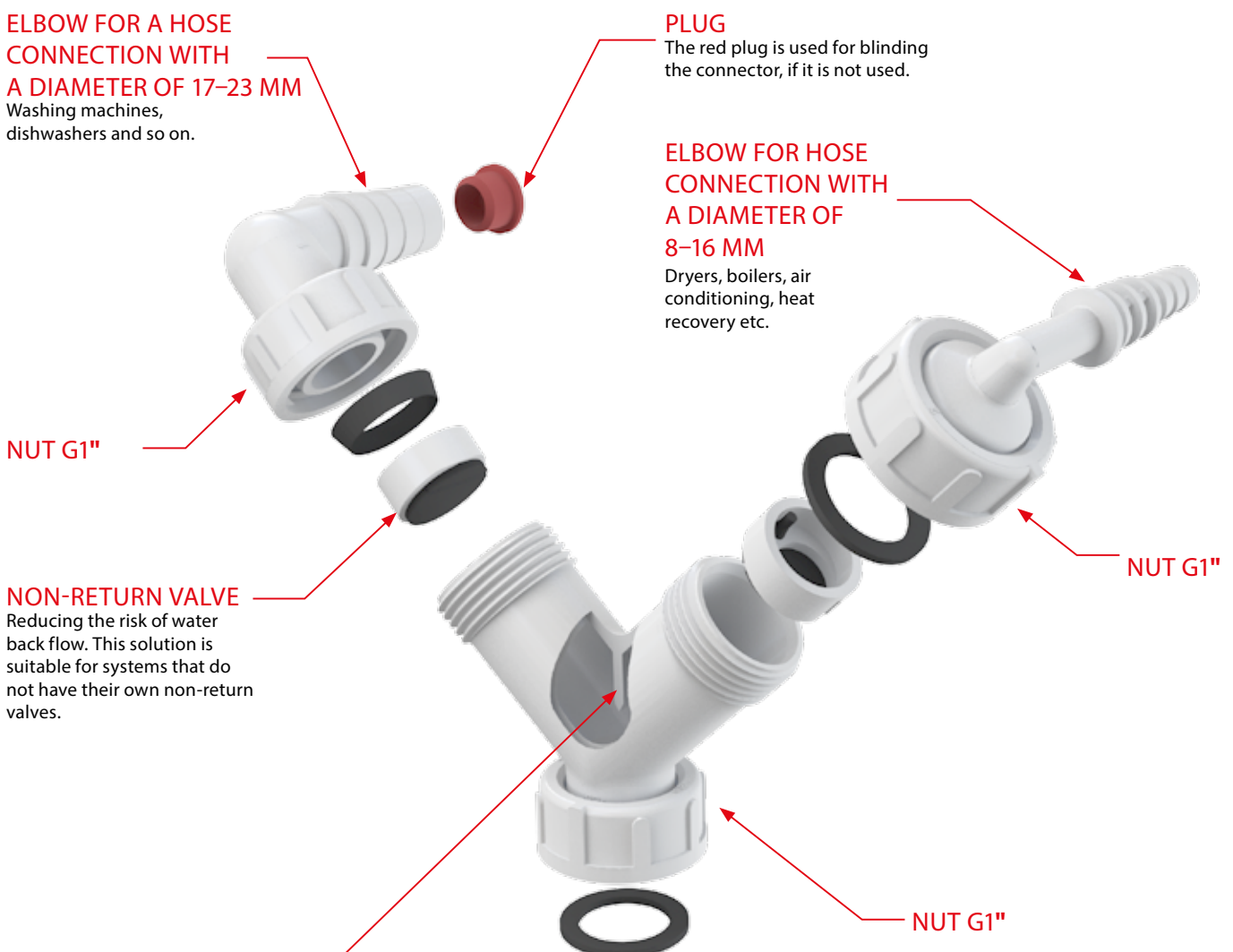
NUT G1"

NUT G1"

NON-RETURN VALVE
Reducing the risk of water back flow. This solution is suitable for systems that do not have their own non-return valves.

NUT G1"

BARRIER
The barrier directs the flow of water, reducing the risk of back flow into the second connector.



NEW

3

DOUBLE ELBOW FOR CONNECTING APPLIANCES TO WASTE



P149Z



P148Z



P148



P0049-ND



P0048-ND

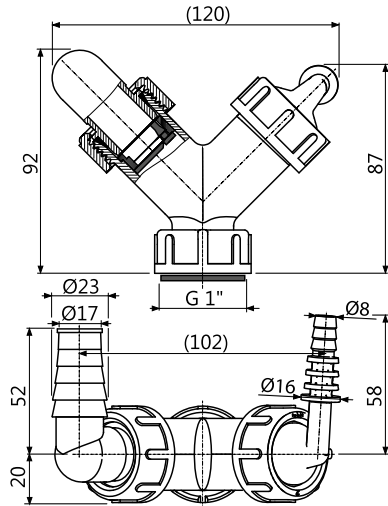


NEW

4

P149Z

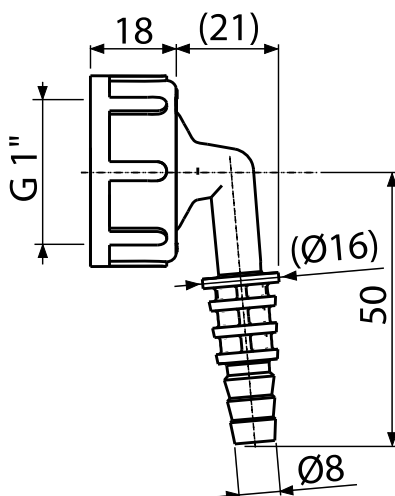
Double elbow G1"/8-16 with non-return valves



Packaging – quantity P149Z	50 pcs
Dimensions (piece)	120×92×72 mm
Weight (piece)	0,0856 kg
EAN	8595580547646

P0049-ND

Elbow G1"/8-16



Packaging – quantity P0049-ND	100 pcs
Dimensions (piece)	66,6×40×41,4 mm
Weight (piece)	0,03 kg
EAN	8595580547653

NEW

5

SHORT TOILET SEAT A674S

Duroplast seat **A674S** who's shape is based on the established and time-tested model A67. Now, with the shortened design it is especially useful for smaller wall hung toilet pans and toilet combinations. The CLICK system allows easy cleaning of WC pans and the safe softclose system for closing the cover helps to increase user comfort.

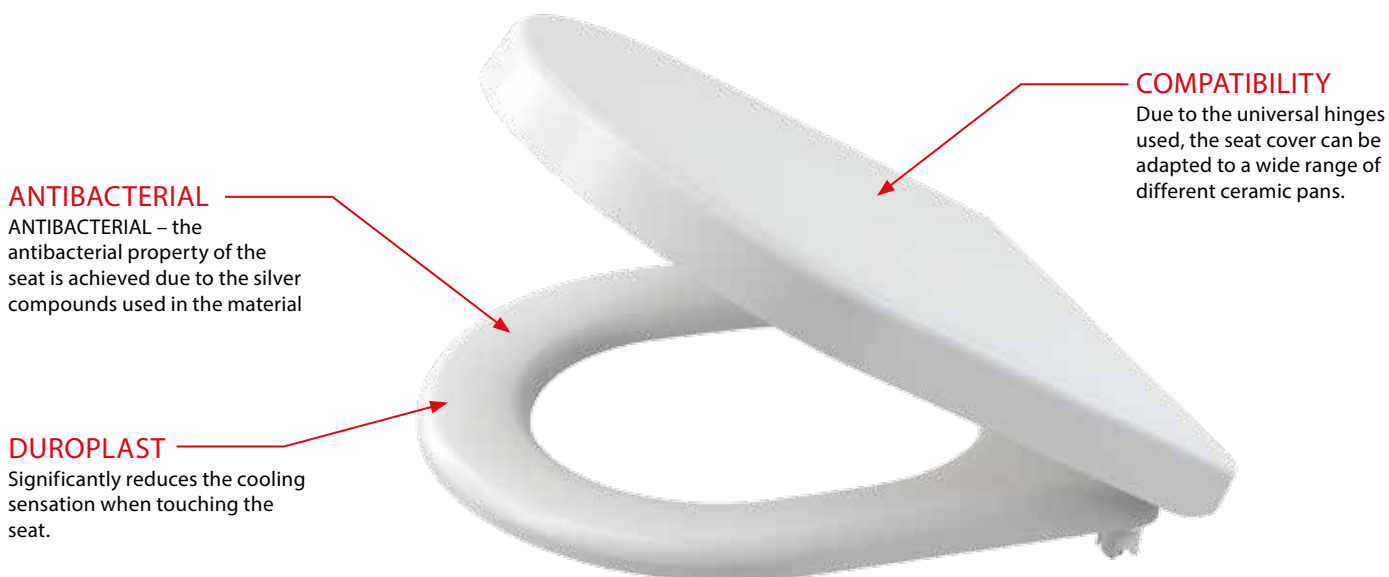
The seat A674S is supplied with new modernized hinges **P106B**. More information on hinges in pg. 8.



NEW

6

SHORT TOILET SEAT A674S



ANTIBACTERIAL
ANTIBACTERIAL – the antibacterial property of the seat is achieved due to the silver compounds used in the material

DUROPLAST
Significantly reduces the cooling sensation when touching the seat.

COMPATIBILITY
Due to the universal hinges used, the seat cover can be adapted to a wide range of different ceramic pans.

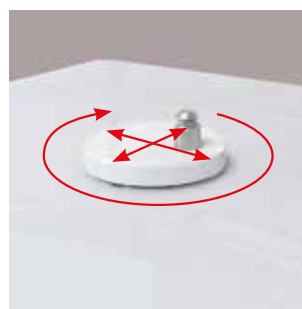
CLICK SYSTEM



SOFTCLOSE



ADJUSTABILITY



HINGES P106B



A674S – COMPATIBILITY CHART

	✓✓	✓
CERSANIT	Iryda, Iryda (C)	Delfi, Olimpia, Olimpia (C), Parva, Parva (C)
FORM		Corto
GUSTAVSBERG		Nautic
IDEAL STANDARD		Concept Cube, Simplicity
JIKA	Dino Rimless, Easy, Lyra Plus, Mio, Mio (C), Tigo, Tigo (C)	
LAUFEN	Laufen Pro	
PTÁČEK		Concept 100
RICHTER + FRENZEL		Optiline Europa
SANITEC–KERAMAG–KOLO	Icon, Primo	Renova Nr. 1
VILLEROY & BOCH	Verity, Subway 2.0 (compact)	
VITRA	Concept 500	

✓✓ = WC seat fully compatible with toilet bowl

✓ = WC seat compatible with toilet bowl but not perfect fit

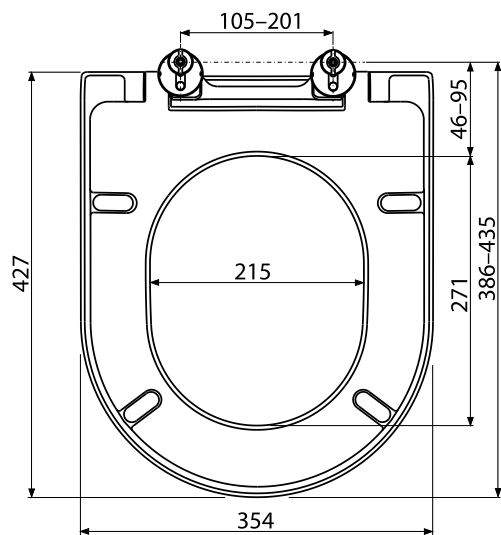
(C) = combi WC

NEW

7

A674S

WC seat SOFTCLOSE, Duroplast



Packaging - quantity A674S	5 pcs
Dimensions (piece)	58x360x445 mm
Weight (piece)	2,3 kg
EAN	8595580548742

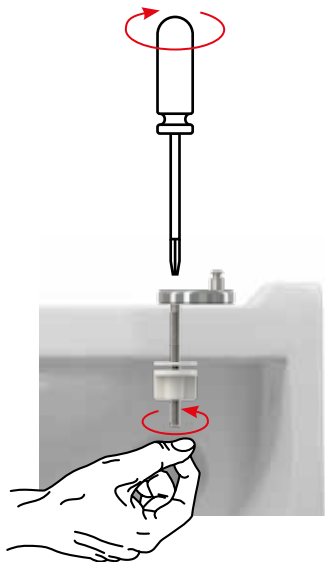
INNOVATION

IMPROVED HINGES FOR DUROPLAST SEATS

Duroplast seats **A602, A603, A604** (Incl. colored and printed versions), and **A606** are gradually starting to be delivered with improved hinges **P106B** (With a white plastic cap and nut "butterfly"). The advantage of these innovative hinges is that they can be applied to WC toilet pans with limited space for tightening the hinge from the bottom and also to the so-called covered pans, which do not allow the tightening of the hinges from the bottom.

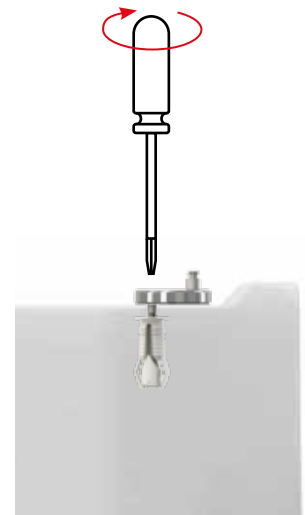
CONVENIENT INSTALLATION

WC Toilet pans with limited space for tightening the hinge from the bottom can tighten the hinge with a screwdriver from above



EXTENDING THE COMPATIBILITY OF WC TOILET SEATS ON COVERED PANS

After replacing the fixing screw with a shorter version (product code P113) the hinges can then be mounted from the top using dowels



P105



P105B



P106



P106B



P113



P105	Hinges with a top mount, stainless steel cap	For toilet seat A602, A603, A604, A606, A674S
P105B	Hinges with top installation, plastic cap	For toilet seat A602, A603, A604, A606, A674S
P106	Hinges with bottom installation, stainless steel cap	For toilet seat A602, A603, A604, A606, A674S
P106B	Hinges with bottom installation, plastic cap	For toilet seat A602, A603, A604, A606, A674S
P113	Dowel for top installation of WC seats	For hinges P106, P106B

NEW

9

DRAIN BOX FOR OUR OUTDOOR DRAINAGE SYSTEM

The range of our drain boxes complements our outdoor drainage system.

Drain box function:

- It provides access to the outdoor drainage system for maintenance and cleaning (to ensure sufficient flow)
- Helps capture dirt and sand
- It allows connection to DN110, DN200 and DN160 pipes

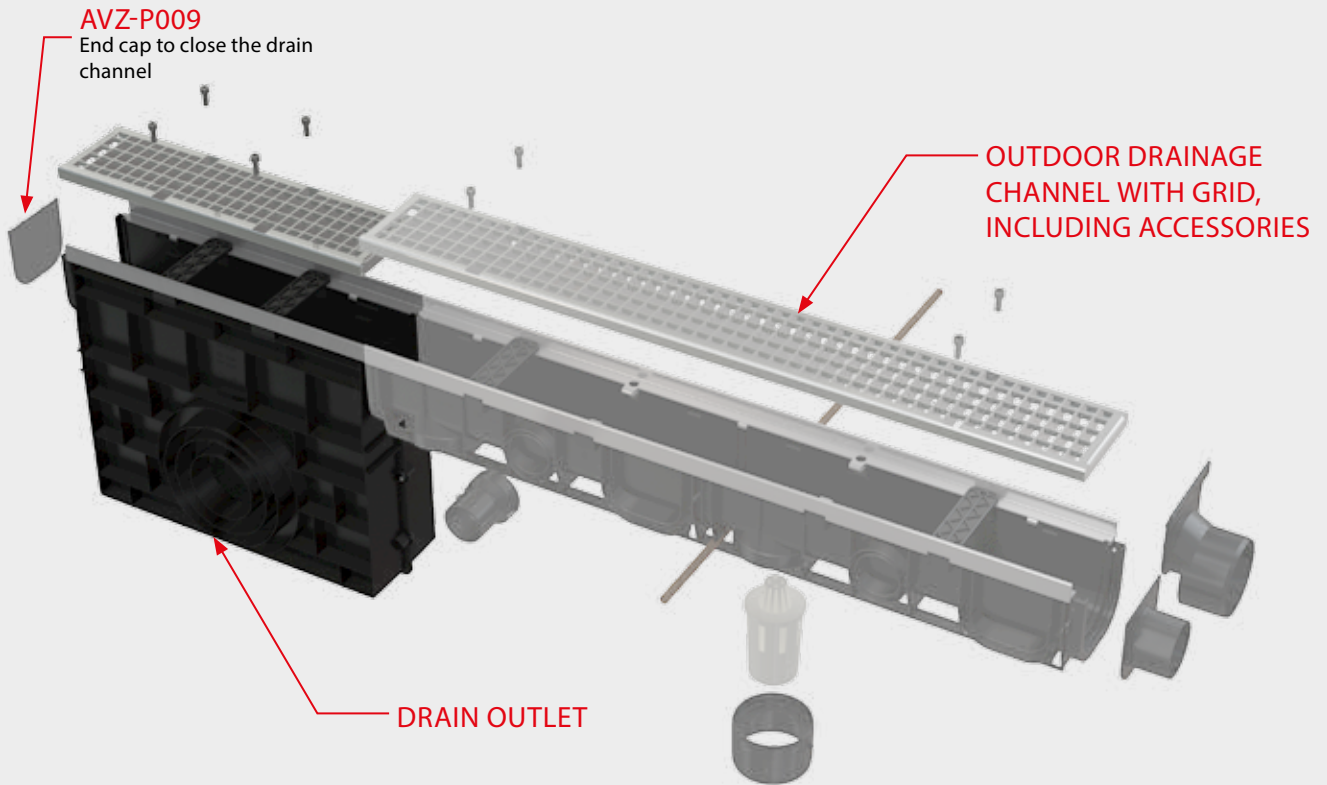
For each type of outdoor drainage system we offer an adequate drain box, which is fully compatible with the relevant shape of the outdoor drainage system used. The Drain box during installation is simply connected to the drain with the help of the snap mechanism without using any tools. Thorough service is essential for maintaining long-term outdoor high flow rates for our outdoor drainage system.



NEW

10

DRAIN BOXES



ACCESSORIES FOR OUTDOOR DRAIN CHANNELS

 <p>AVZ-P001 Socket for connection to the waste pipe DN110</p>	 <p>AVZ-P002 Drain lock AVZ102-R102</p>	 <p>AVZ-P003 Adapter for connecting side inlets DN50</p>	 <p>AVZ-P004 Front cover to close the drain with a socket for inlet DN75</p>
 <p>AVZ-P005 Cover for mounting holes</p>	 <p>AVZ-P006 Grid fixation pins for drain channel AVZ102-R102</p>	 <p>AVZ-P007 Odour trap for outdoor drains</p>	 <p>AVZ-P008 Hook for removing the grid</p>
 <p>AVZ-P009 End cap to close the drain channel</p>	 <p>AVZ-P010 End cap with connection to the waste pipe DN110</p>	 <p>AVZ-P012 Basket for catching dirt large – stainless steel</p> <p>NEW</p>	 <p>AVZ-P013 Basket for catching dirt large – galvanized</p> <p>NEW</p>
 <p>AVZ-P014K Screw caps for composite grids (8 pcs)</p> <p>NEW</p>	 <p>AVZ-P014L Screw caps for cast iron grids (8 pcs)</p> <p>NEW</p>		

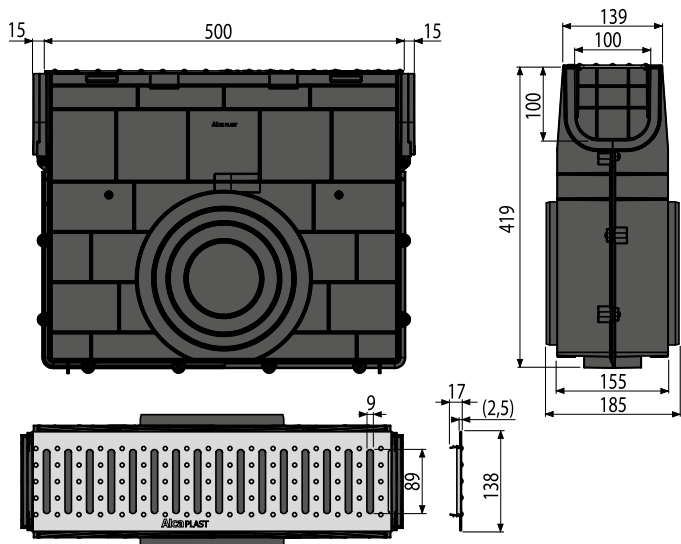
NEW

11

AVZ101R-R101S

Outdoor drain box without frame with galvanized „T“ profile grid A15

↓
A15

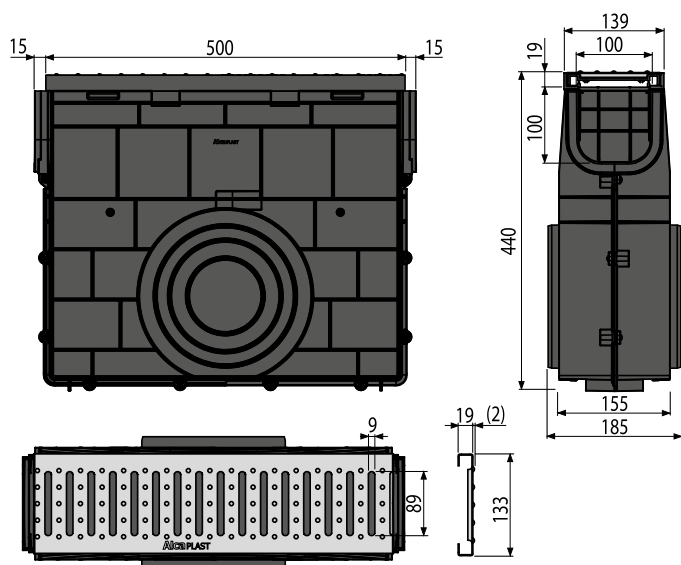


Packaging – quantity AVZ101R-R101S	1 pc
Dimensions (piece)	532×444×186 mm
Weight (piece)	3,70 kg
EAN	8595580547776

AVZ102R-R102S

Outdoor drain box for A15 with plastic frame and galvanized "C" profile grid A15

↓
A15



Packaging – quantity of AVZ102R-R102S	1 pc
Dimensions (piece)	532×425×186 mm
Weight (piece)	3,70 kg
EAN	8595580547783

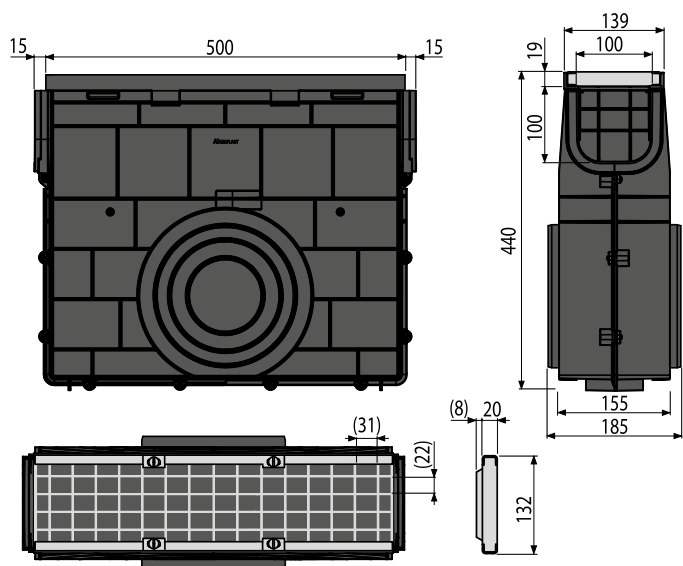
NEW

12

AVZ102R-R103S

Outdoor drain box for B125 with plastic frame and galvanized grid B125

↓
B125

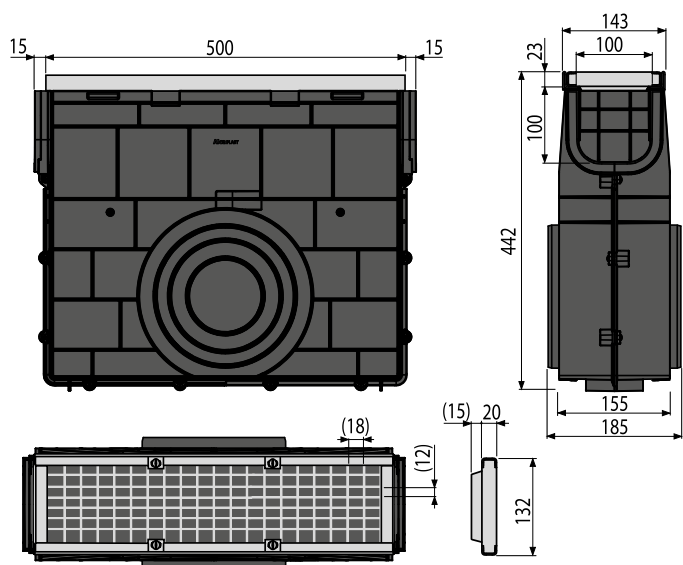


Packaging – quantity of AVZ102R-R103S	1 pc
Dimensions (piece)	532×442×186 mm
Weight (piece)	4,70 kg
EAN	8595580547806

AVZ103R-R104S

Outdoor drain box for C250 with metal frame and galvanized grid C250

↓
C250



Packaging – quantity AVZ103R-R104S	1 pc
Dimensions (piece)	532×444×186 mm
Weight (piece)	6,60 kg
EAN	8595580547820

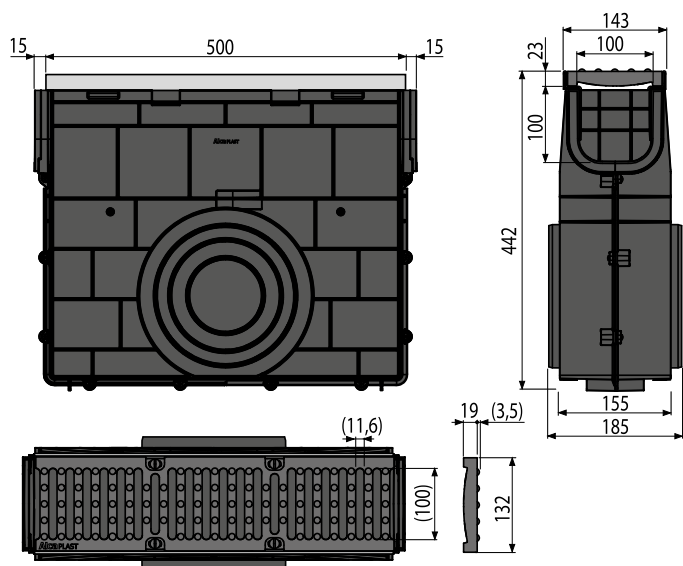
NEW

13

AVZ103R-R201

Outdoor drain box with metal frame and cast iron grid D400

D400

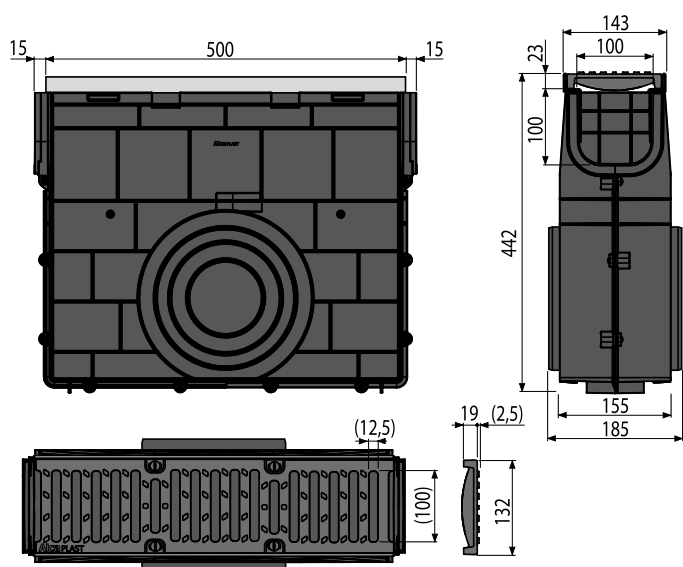


Packaging – quantity of AVZ103R-R201	1 pc
Dimensions (piece)	532×444×185 mm
Weight (piece)	8,60 kg
EAN	8595580547851

AVZ103R-R202

Outdoor drain box with metal frame and cast iron grid C250

C250



Packaging – quantity of AVZ103R-R202	1 pc
Dimensions (piece)	532×444×185 mm
Weight (piece)	7,70 kg
EAN	8595580547837

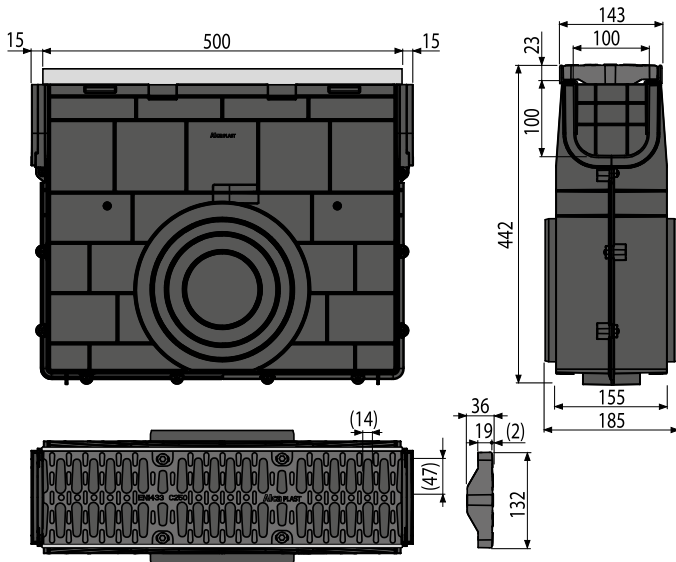
NEW

14

AVZ103R-R403

Outdoor drain box for C250 with metal frame and composite grid C250

↓
C250

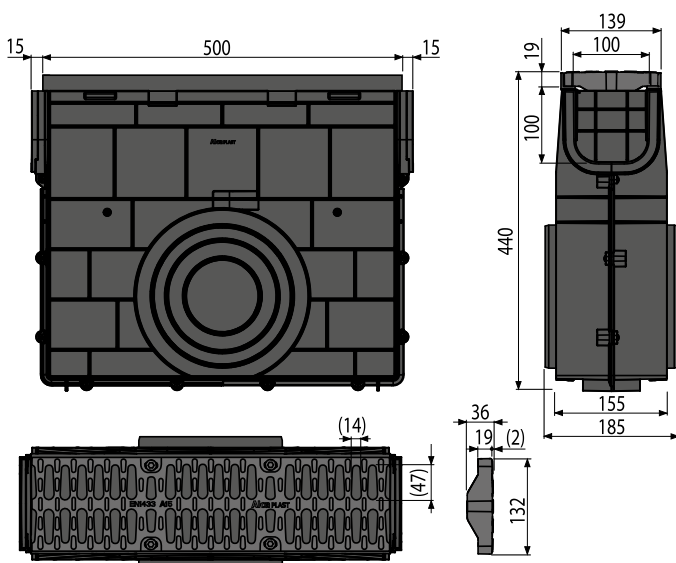


Packaging – quantity of AVZ103R-R403	1 pc
Dimensions (piece)	532×444×185 mm
Weight (piece)	2,02 kg
EAN	8595580547844

AVZ104R-R401

Outdoor drain box for A15 with plastic frame and plastic grid A15

↓
A15



Packaging – quantity AVZ104R-R401	1 pc
Dimensions (piece)	532×444×185 mm
Weight (piece)	3,70 kg
EAN	8595580547790

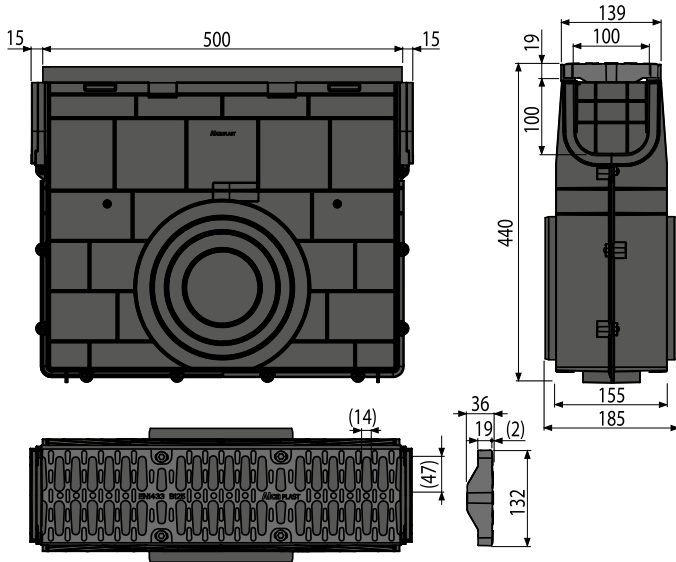
NEW

15

AVZ104R-R402

Outdoor drain box for B125 with plastic frame and composite grid B125

↓
B125

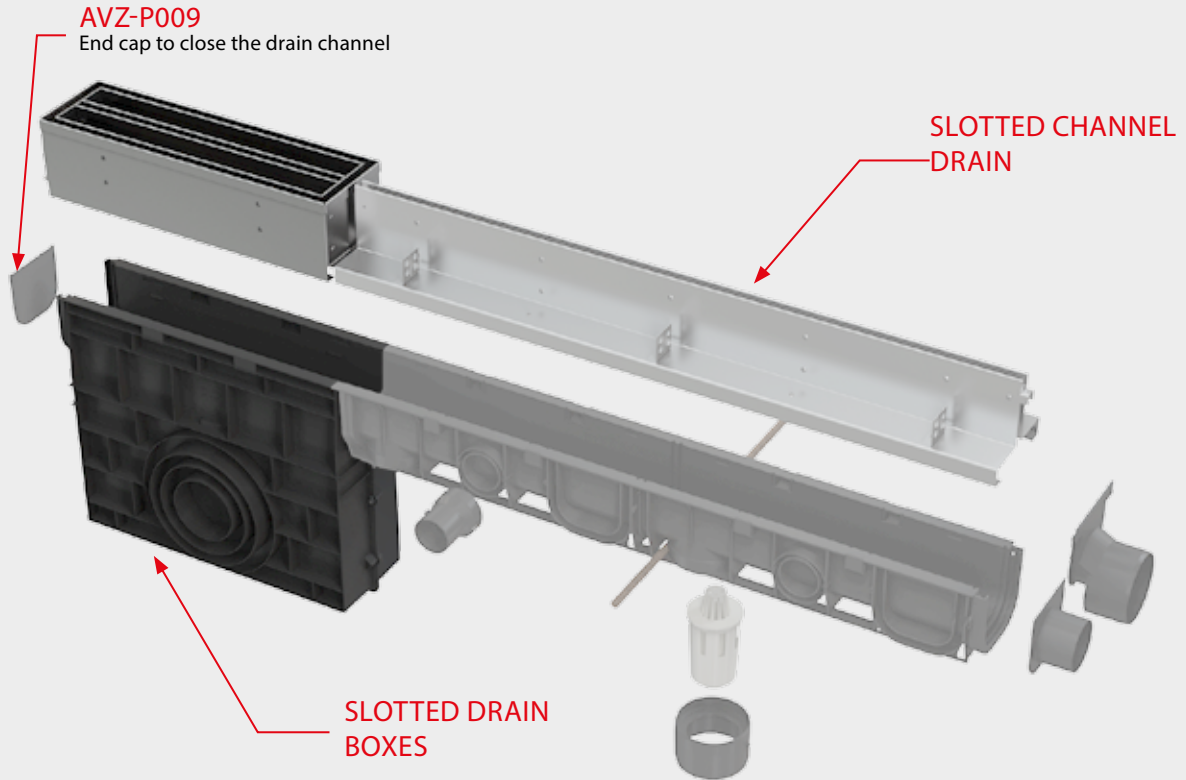


Packaging – quantity of AVZ104R-R402	1 pc
Dimensions (piece)	532x444x185 mm
Weight (piece)	3,70 kg
EAN	8595580547813

NEW

16

SLOTTED DRAIN BOXES



ACCESSORIES FOR OUTDOOR DRAIN CHANNELS

 <p>AVZ-P001 Socket for connection to the waste pipe DN110</p>	 <p>AVZ-P002 Drain lock AVZ102-R102</p>	 <p>AVZ-P003 Adapter for connecting side inlets DN50</p>	 <p>AVZ-P004 Front cover to close the drain with a socket for inlet DN75</p>
 <p>AVZ-P005 Cover for mounting holes</p>	 <p>AVZ-P006 Grid fixation pins for drain channel AVZ102-R102</p>	 <p>AVZ-P007 Odour trap for outdoor drains</p>	 <p>AVZ-P008 Hook for removing the grid</p>
 <p>AVZ-P009 End cap to close the drain channel</p>	 <p>AVZ-P010 End cap with connection to the waste pipe DN110</p>	 <p>AVZ-P012 Basket for catching dirt Large stainless steel</p> <p>NEW</p>	 <p>AVZ-P013 Basket for catching dirt Large galvanized</p> <p>NEW</p>
 <p>AVZ-P014K Screw caps for composite grids (8 pcs)</p> <p>NEW</p>	 <p>AVZ-P014L Screw caps for cast iron grids (8 pcs)</p> <p>NEW</p>		

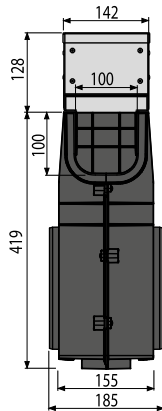
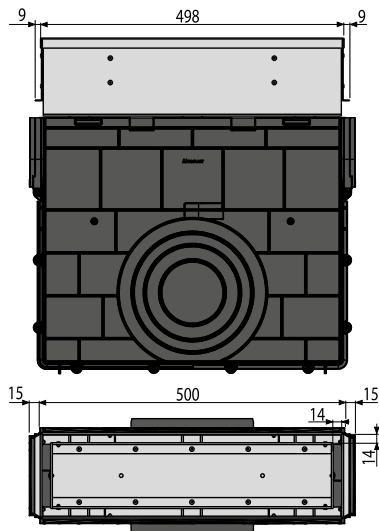
NEW

17

AVZ101R-R121R

Outdoor slotted drain box with an asymmetrical access cover 100 mm, galvanized steel

↓
C250

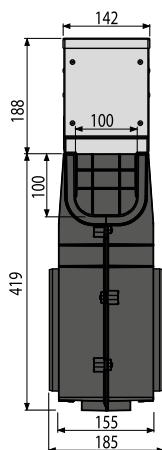
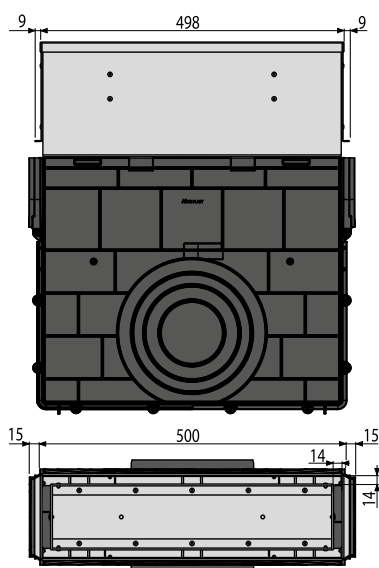


Packaging – quantity AVZ101R-R121R	1 pc
Dimensions (piece)	547×185×516 mm
Weight (piece)	8,23 kg
EAN	8595580549855

AVZ101R-R122R

Outdoor slotted drain box with an asymmetrical access cover 160 mm, galvanized steel

↓
C250



Packaging – quantity AVZ101R-R122R	1 pc
Dimensions (piece)	607×185×516 mm
Weight (piece)	9,99 kg
EAN	8595580549862

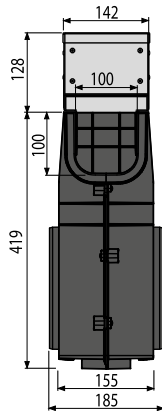
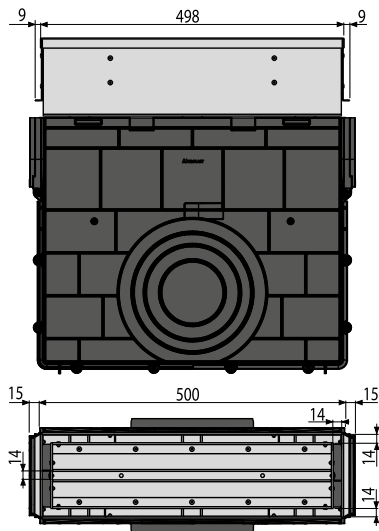
NEW

18

AVZ101R-R123R

Outdoor slotted drain box with symmetrical access cover 100 mm, galvanized steel

↓
C250

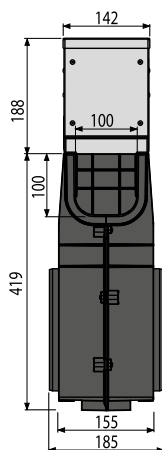
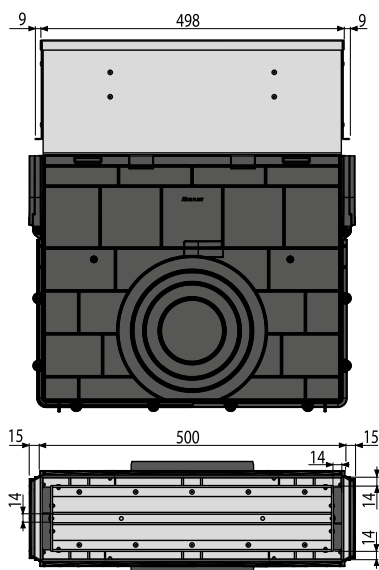


Packaging – quantity AVZ101R-R123R	1 pc
Dimensions (piece)	547×185×516 mm
Weight (piece)	9,33 kg
EAN	8595580549879

AVZ101R-R124R

Outdoor slotted drain box with symmetrical access cover 160 mm, galvanized steel

↓
C250



Packaging – quantity AVZ101R-R124R	1 pc
Dimensions (piece)	607×185×516 mm
Weight (piece)	11,10 kg
EAN	8595580549886

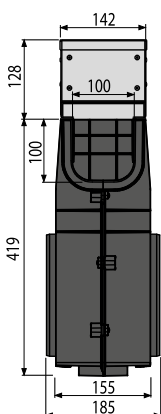
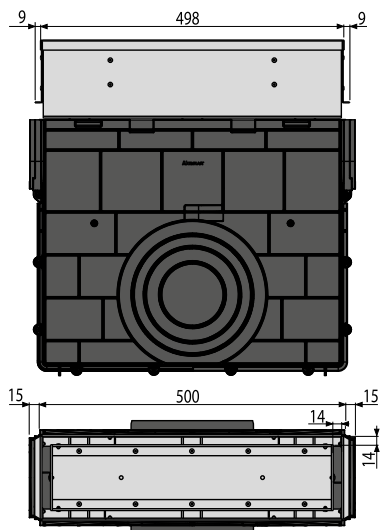
NEW

19

AVZ101R-R321R

Outdoor slotted drain box with an asymmetrical access cover 100 mm, stainless steel

↓
C250

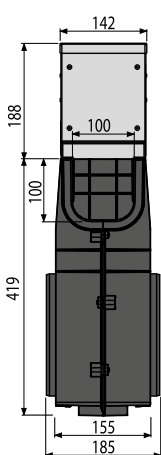
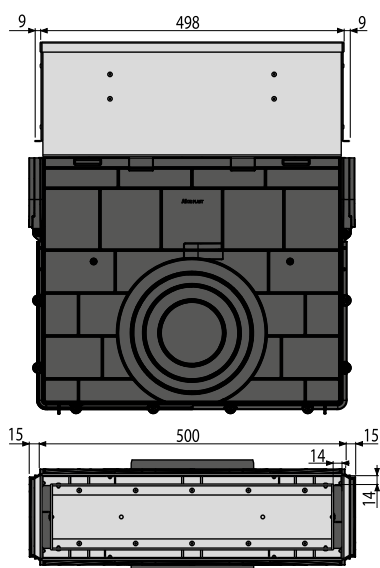


Packaging – quantity AVZ101R-R321R	1 pc
Dimensions (piece)	547×185×516 mm
Weight (piece)	8,23 kg
EAN	8595580549893

AVZ101R-R322R

Outdoor slotted drain box with an an asymmetrical access cover 160 mm, stainless steel

↓
C250



Packaging – quantity AVZ101R-R322R	1 pc
Dimensions (piece)	607×185×516 mm
Weight (piece)	9,99 kg
EAN	8595580549909

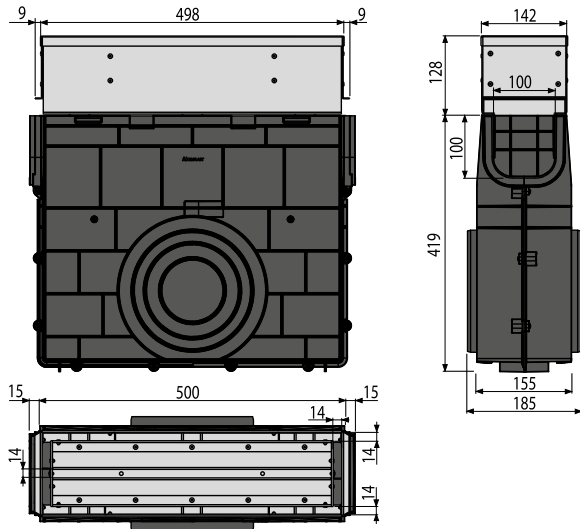
NEW

20

AVZ101R-R323R

Outdoor slotted drain box with symmetrical access cover 100 mm, stainless steel

↓
C250

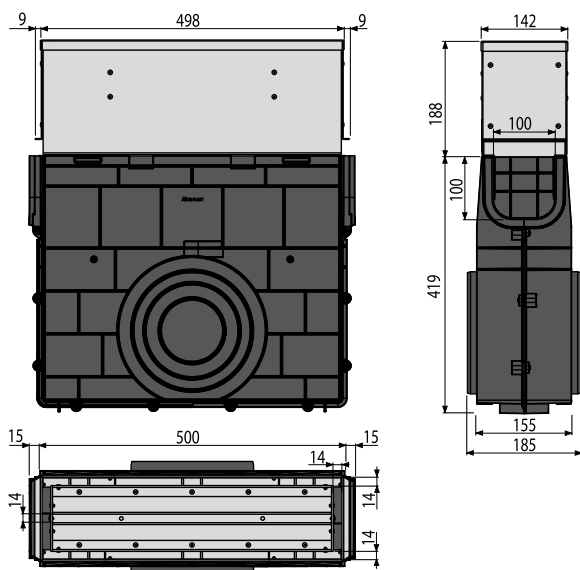


Packaging – quantity AVZ101R-R323R	1 pc
Dimensions (piece)	547×185×516 mm
Weight (piece)	9,33 kg
EAN	8595580549916

AVZ101R-R324R

Outdoor slotted drain box with symmetrical access cover 160 mm, stainless steel

↓
C250



Packaging – quantity AVZ101R-R324R	1 pc
Dimensions (piece)	607×185×516 mm
Weight (piece)	11,10 kg
EAN	8595580549923

The ALCAPLAST team of specialists is always on hand to help with design, installation and quote project prices!

Czech product
ISO 9001:2008



EN 55014-1, EN 55014-2, EN 61000-6, EN 61000-4
NV 616/2006 Sb. Coll. as amended
2011/95/EC including amendments

Alca PLAST®

CZECH REPUBLIC

Alca plast, s. r. o.
Bratislavská 2846, 690 02 Breclav
tel.: +420 519 821 117 – Sales Dept. CZ
tel.: +420 519 821 041 – Export Dept.
fax: +420 519 821 083
alcaplast@alcaplast.com
www.alcaplast.com