

INFO

9/2016

www.alcaplast.com



NEW

Trap for dripping condensate, concealed, stainless steel
Space-saving connector 6/4"
Space saving bidet trap A45G

NEW

2

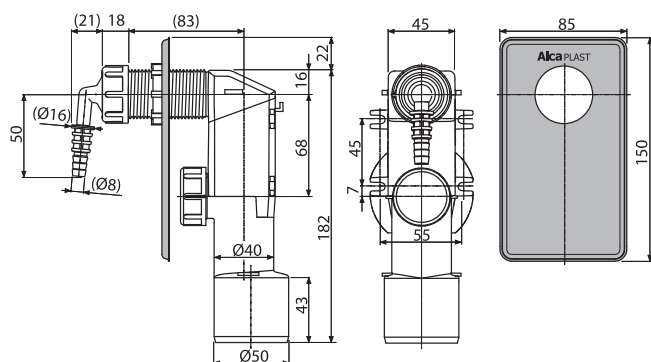
TRAP FOR DRIPPING CONDENSATE, CONCEALED, STAINLESS STEEL

Our popular series of condensation traps is now enriched by a new dripping condensate trap the AKS7.

AKS7 is a new alternative to the existing trap AKS4 with condensate flow from the pre-wall space using the connector for connecting hoses with a diameter of 8–16 mm. Thanks to its variable diameter you can connect appliances such as condensation boilers, air conditioning units, heat recovery units, etc.

AKS7

Trap for dripping condensate, concealed, stainless steel



Packaging – quantity AKS7	25 pcs
Dimensions (piece)	185x150x70 mm
Weight (piece)	0,2109 kg
EAN	8595580549473

AKS1

AKS1Z

AKS2

AKS3

AKS4

AKS5



NEW**3**

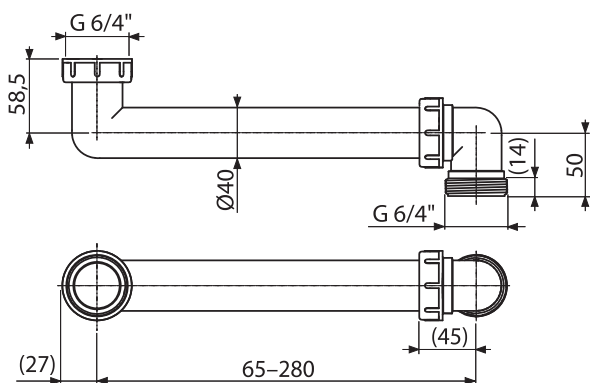
SPACE-SAVING CONNECTOR 6/4 "

Space-saving drain pipe is intended for connecting to your sink trap. Due to its shape it offers a great space saving solution in the area under the sink.



P109

Space-saving connector 6/4"



Packaging – quantity P109	25 pcs
Dimensions (piece)	250×60×100 mm
Weight (piece)	0,1526 kg
EAN	8595580545352

NEW

4

SPACE SAVING BIDET TRAP A45G

Classic bidet trap A45E now offered in space-saving option. The new A45G differs from existing bidet trap A45E in its construction height, which is lower by 2 cm.

The trap then is under the wall-hung bidet which makes it less visible, thereby achieving a better overall appearance of the bidet in the bathroom. Moreover, it provides better compatibility to different types of bidets, because it doesn't take up much space inside the ceramics.

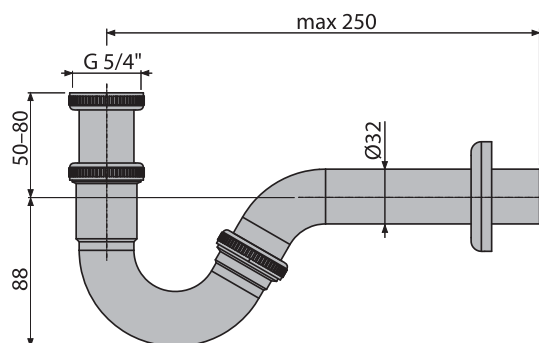


NEW

5

A45G

Bidet trap, metal Ø32



Packaging – quantity A45G	25 pcs
Dimensions (piece)	350x120x40 mm
Weight (piece)	0,3119 kg
EAN	8595580550592

A45E**A45F-DN32****A45F-DN40**

The ALCAPLAST team of specialists is always on hand to help with design, installation and quote project prices!

Czech product
ISO 9001:2008



EN 55014-1, EN 55014-2, EN 61000-6, EN 61000-4
NV 616/2006 Sb. Coll. as amended
2011/95/EC including amendments

Alca PLAST[®]

CZECH REPUBLIC

Alca plast, s. r. o.
Bratislavská 2846, 690 02 Breclav
tel.: +420 519 821 117 – Sales Dept. CZ
tel.: +420 519 821 041 – Export Dept.
fax: +420 519 821 083
alcaplast@alcaplast.com
www.alcaplast.com