

# alca

**Product catalogue 2025**

Sanitary systems

System walls



**INTERNATIONALLY RECOGNIZED DESIGN**

Alca is a trendsetter in the world of design. This is confirmed by the awards, which the company has received in recent years. In 2024, we got the second Red Dot award, this time for the series of flush plates Linka and Dot.Dot. The collection also appealed to the jury of the iF Design Award competition in the same year. Alca has also won awards for its WC flush plates in previous years, specifically the Red Dot in 2014 and the iF Design Award in 2018. However, not only flush plates are successful in design competitions, our invisible outdoor drainage channel solution impressed the judges at the ISH trade fair and they awarded it the Design Plus ISH 2023.



**LEGEND**

Products from recycled material	Two-sided grid
Flushing system 2/4 l	Combined odour trap SMART
WC tablets dispenser	Maximum load up to 1,5 t (L15)
System with connector for extraction fan	Maximum load up to 12,5 t (M125)
Top actuation	Maximum load up to 1,5 t
For bidet and wall-hung WC	Maximum load up to 12,5 t
Material with antibacterial properties	Maximum load up to 25 t
Extended guarantee	Maximum load up to 40 t
For wooden construction houses	For outdoor use
Height adjustable partitions	For interior use
One-button START/STOP flushing system	For use indoors and outdoors
Two-button DUAL 3/6 l flushing system	Hole diameter in shower tray
Simple WC seat removal system	Availability
WC seat slow-closing safety system	

# Content

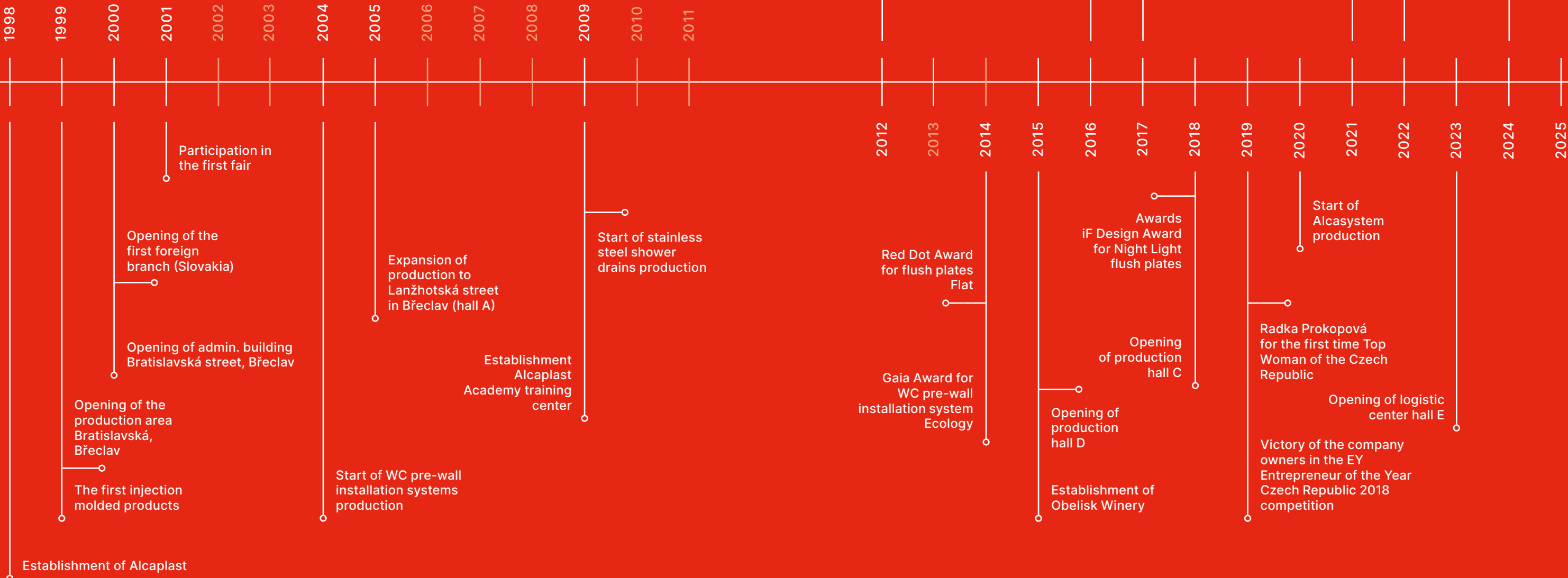
<b>ALCASYSTEM</b> _____	<b>9</b>	<b>WASTES AND TRAPS</b> _____	<b>159</b>
Alcasystem – profiles _____	12	Products from recycled material _____	160
Alcasystem – connectors and anchors _____	12	Bath wastes and traps _____	162
Alcasystem – accessories _____	13	Bath waste and traps – accessories _____	169
Alcasystem – WC systems and mounting frames _____	15	Shower wastes and traps _____	170
Alcasystem – sets _____	15	Wash-basin wastes and traps _____	175
<b>PRE-WALL INSTALLATION SYSTEMS</b> _____	<b>17</b>	Metal program _____	177
Pre-wall installation systems _____	18	Sink wastes and traps _____	184
Sanitary ware _____	31	Wash-basin and sink wastes and traps – accessories _____	189
Pre-wall installation systems – accessories _____	32	Urinal and bidet traps _____	192
Insulation boards _____	35	Traps for dripping condensation _____	193
Mounting frames for plumbing fixtures _____	37	Washing machine traps _____	194
<b>FLUSH PLATES AND SENSORS</b> _____	<b>43</b>	Washing machine traps – accessories _____	195
Basic _____	46	<b>FLEXI PIPES</b> _____	<b>199</b>
Thin _____	46	Flexi pipes _____	200
Flat _____	47	Flexi pipes – accessories _____	201
Special _____	48	<b>WC ACCESSORIES</b> _____	<b>203</b>
<b>VALVES AND PLASTIC WC CISTERNS</b> _____	<b>53</b>	WC flexi connectors _____	204
Fill valves _____	54	WC connectors _____	205
Flush valves _____	57	Air admittance heads _____	206
Plastic WC cisterns _____	58	Bath access doors _____	207
Fill and flush kits _____	59	<b>PRODUCT LINES</b> _____	<b>208</b>
Valves and plastic WC cisterns – accessories _____	61	Program Individual _____	208
<b>WC SEATS</b> _____	<b>65</b>	Program Black-matt _____	210
WC seats Antibacterial _____	72	Program White-polished _____	212
WC seats Basic Antibacterial _____	72	Program Brass _____	214
WC seats Duroplast _____	72	<b>PRODUCT NEWS 2025</b> _____	<b>215</b>
WC seats Softclose _____	73	<b>INDEX</b> _____	<b>226</b>
WC seats Slim _____	74		
WC seats – hinges _____	75		
<b>SHOWER DRAINS</b> _____	<b>79</b>		
Linear shower drains _____	80		
Waste systems _____	92		
Corner shower drain _____	93		
Linear shower drains Antivandal _____	94		
Linear shower drains – accessories _____	95		
Plastic linear shower drains _____	96		
Stainless steel strips for sloped floor _____	103		
<b>TAILOR MADE STAINLESS STEEL PRODUCTS</b> _____	<b>107</b>		
Industrial point drains _____	108		
Industrial drains with box inlet _____	109		
Industrial slotted drains _____	113		
Drainage channels _____	116		
Swimming pool grates _____	124		
<b>OUTDOOR DRAINAGE SYSTEM</b> _____	<b>127</b>		
Outdoor drain channels _____	128		
Outdoor drain channels – accessories _____	131, 141		
Universal rain drums _____	142		
Universal rain drums – accessories _____	143		
<b>FLOOR DRAINS</b> _____	<b>145</b>		
Stainless steel floor drains _____	146		
Floor drains with stainless steel grids _____	147		
Floor drains with design grids _____	151		
Floor drains with plastic grids _____	152		
Floor drains – accessories _____	154		
Waterproofing foil _____	156		



# Alca in facts and figures

From a garage to a manufacturing giant in Central and Eastern Europe. Alca has grown from a small company, initially operated by František Fabiřovic in Břeclav – Charvátská Nová Ves, into a business that now operates on 110,000 m<sup>2</sup> site, with 9 international branches, its own showroom in Prague and a product portfolio of over 1,000 products. Alca is constantly growing and transforming. The timeline shows the company development from its establishment to the present.

- 1** production plant
- 650** employees
- 3,2** billion CZK total turnover
- 9** foreign branches
- 1,000** products
- 353** million CZK investment
- 70** export countries
- 100%** Czech capital



# ESG – responsibility towards nature and society

At Alca, we are aware of our responsibility towards the environment and society. We actively seek to minimize our impact and sustainability is a core value that influences every aspect of our operations. Our vision is to create quality products that respect the needs of future generations.

## ENERGY RECOVERY

Among our efficiency measures, we are implementing energy recovery units in newly established production lines. The air heated during the cooling of production lines is used for heating. Energy recovery is thus the next step in our quest to achieve maximum energy efficiency and sustainability within our operations.

## WASTE RECYCLING

We focus on ecological sustainability and efficient waste recycling. We sort plastics and metals that we reuse in production or send for recycling, thereby reducing the need for new raw materials and minimizing the environmental impact.



## COGENERATION UNITS

Alca applies a wide range of cost-saving measures, with annual investments reaching up to hundreds of millions CZK. The system for heating halls with waste heat from injection molding machines in combination with several natural gas cogeneration units is an example of environmentally friendly industrial production.



## USE OF RECYCLED MATERIAL

We have set a clear goal – to minimize the impact of our business on the planet. We focus on using recycled plastics, giving new life to materials that would otherwise end up as waste. We design our products with a long durability in mind and pack them in eco-friendly packaging that can be easily recycled. Each step on this journey brings us closer to a more sustainable future that we want to create for generations to come.



## PHOTOVOLTAIC PANELS

In 2023, we took a significant step towards energy self-sufficiency and sustainability. Photovoltaic panels were installed on all the roofs of the Alca production facility in Břeclav, contributing to a reduction in energy consumption and enabling us to harness renewable energy directly from nature. In addition, we extended the photovoltaic installations to the roofs of the Obelisk Winery and Game Reserve Obelisk, thereby supporting their ecological transformation. These steps are part of our long-term commitment to sustainability and environmental responsibility.

## GAME RESERVE OBELISK

Implementation of a unique landscaping project, which restored lost water in the soil and returned home to hundreds of plant and animal species. Work whose importance intervened and recognized academics and whose scope will affect generations to come. That's Game Reserve Obelisk.

## DEVELOPMENT OF EDUCATION AT SECONDARY SCHOOLS

Alca is aware of the financial challenges faced by the school apprenticeship system, which is why it focuses on equipping secondary schools and vocational schools with plumbing workshops, where students can get hands-on experience with sanitary technology and acquire the necessary skills.



## EMPLOYEE CARE

Having satisfied employees is important to us. In addition to a competitive salary and a modern working environment, we offer benefits such as language courses, 5 bonus days off, fun events and an emphasis on safety. We provide quality equipment, training and ensure compliance with safety regulations so that everyone feels safe at work.

## SOCIAL SUPPORT

We bring hope, love and help where it is most needed. We cooperate with the foundation Be Charity and actively support, for example, the Křižovatka Foundation, Zdravotní Klauz, the Children's Laugh Foundation, and the Břeclav Regional Charity.







alca

Alcasystem

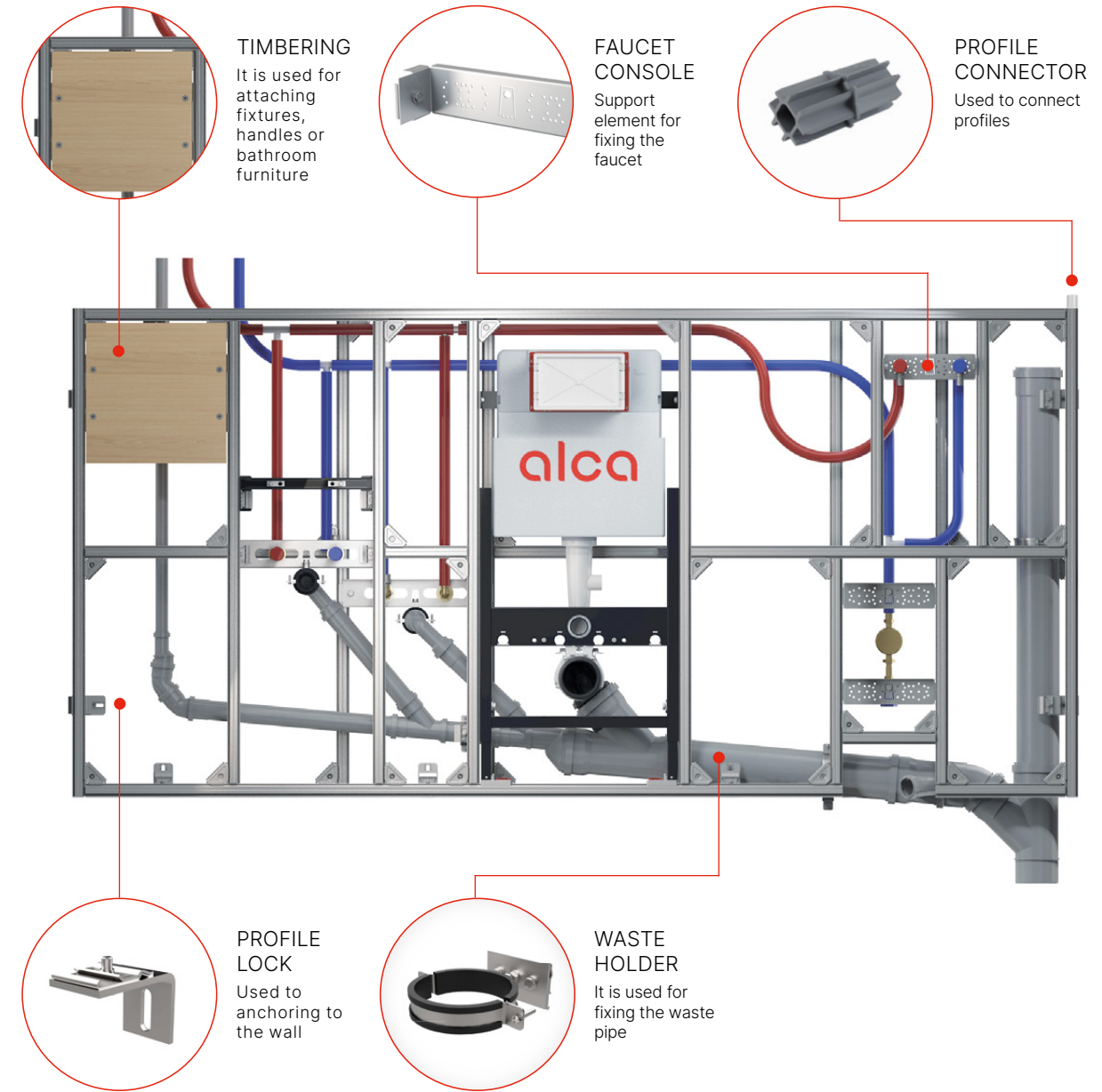
# Alcasystem

Alcasystem	10
Alcasystem – profiles	12
Alcasystem – connectors and anchors	12
Alcasystem – accessories	13
Alcasystem – WC systems and mounting frames	15
Alcasystem – sets	15



VIDEO

# Alcasystem – system walls



 MEETS THE REQUIREMENTS OF EU STANDARDS

up to **40 %** lighter than brick construction

- **Fast and clean construction**
- **Low weight, high solidity**
- **High load-bearing capacity of the wall**
- **Own production and stock**
- **Perfectly precise and straight walls**

The extended warranty of 15 years applies to the installation of the entire system Alca (including water distribution and installation frames) by a specialized company.



**Alcasystem** is technical solution from one supplier for your building.


It opens up a new possibility of realization, whether it is a small project or a large construction. Acceleration of construction, sophisticated technology and cost savings.

**A wall up to 4.5 meters high and arbitrarily wide can be built from three basic elements \***

Even a less qualified worker without extensive construction experience can handle it. We can also assemble the pre-wall for you and deliver it to the construction site.

**DEVELOPED AND TESTED**

\* Technical manual at [www.alcadrain.com/en/qr/as-manual](http://www.alcadrain.com/en/qr/as-manual)



**AS-4500**  
System profile 4.5 m



Quantity (packing)	25 pcs
Quantity (pallet)	- pcs
Material	galvanized steel

**AS-P001**  
Corner connector



Quantity (packing)	100 pc
Quantity (pallet)	- pcs
Material	galvanized steel

**AS-P002**  
Profile connector



Quantity (packing)	30 pc
Quantity (pallet)	- pcs
Material	polyamide (PA)

**AS-P014**  
Profile holder, double 241 mm



Quantity (packing)	20 pcs
Quantity (pallet)	- pcs
Material	galvanized steel

**AS-P015**  
Profile lock



Quantity (packing)	40 pcs
Quantity (pallet)	- pcs
Material	galvanized steel

**AS-P016**  
Profile holder, simple 222 mm



Quantity (packing)	20 pcs
Quantity (pallet)	- pcs
Material	galvanized steel

**AS-P003**  
Handle washer



Quantity (packing)	100 pc
Quantity (pallet)	- pcs
Material	rubber

**AS-P004**  
Waste pipe holder for WC systems DN110



Quantity (packing)	20 pc
Quantity (pallet)	- pcs
Material	galvanized steel

**AS-P005, AS-P105, AS-P205, AS-P305**  
Pipe holder DN25-30, DN40-46, DN48-53, DN72-78



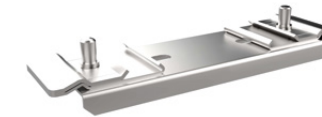
Quantity (packing)	10 pc
Quantity (pallet)	- pcs
Material	galvanized steel

**AS-P018**  
Profile lock - extended 186 mm



Quantity (packing)	20 pcs
Quantity (pallet)	- pcs
Material	galvanized steel

**AS-P215**  
Profile lock - extended 347 mm



Quantity (packing)	20 pcs
Quantity (pallet)	- pcs
Material	galvanized steel

**AS-P021**  
Showerhead console



Quantity (packing)	20 pcs
Quantity (pallet)	- pcs
Material	galvanized steel

**AS-P011**  
Profile holder, simple 150 mm



Quantity (packing)	30 pcs
Quantity (pallet)	- pcs
Material	galvanized steel

**AS-P012**  
Profile holder, simple 85 mm



Quantity (packing)	50 pcs
Quantity (pallet)	- pcs
Material	galvanized steel

**AS-P013**  
Profile holder, double 186 mm



Quantity (packing)	20 pcs
Quantity (pallet)	- pcs
Material	galvanized steel

**AS-P124**  
Installation frame for concealed washing machine trap for connection of two appliances



Quantity (packing)	1 pcs
Quantity (pallet)	- pcs
Material	-

**AS-P023**  
Console for fixing washbasin and urinal



Quantity (packing)	1 pcs
Quantity (pallet)	- pcs
Material	-

**AS-P025**  
Console for water inlet and waste



Quantity (packing)	1 pcs
Quantity (pallet)	- pcs
Material	-

**AS-P031**  
L-Profile for fillings 200 mm



Quantity (packing)	20 pcs
Quantity (pallet)	- pcs
Material	galvanized steel

**AS-P041**  
Anchoring flap



Quantity (packing)	5 pcs
Quantity (pallet)	- pcs
Material	galvanized steel

## Special WC system for mounting to Alcasystem

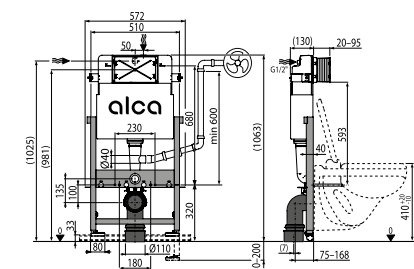


**ATTACHMENT OF THE WC CISTERN TO THE STRUCTURE**

**FIXING THE FRAME USING A CORNER COUPLING**

**CLICK SYSTEM – SIMPLE FASTENING BY CLICKING**

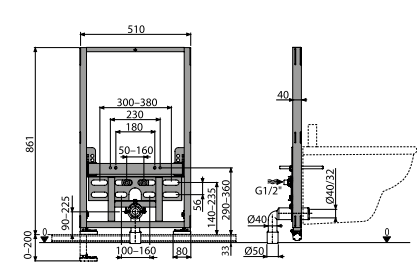
**AS101 Sádromodul**  
Pre-wall installation system for dry build up (plasterboard)



Quantity (packing)	1 pc
Quantity (pallet)	20 pcs
Dimensions (piece)	1177×575×132 mm
Weight (piece)	12.9715 kg
Installation height	1037 mm



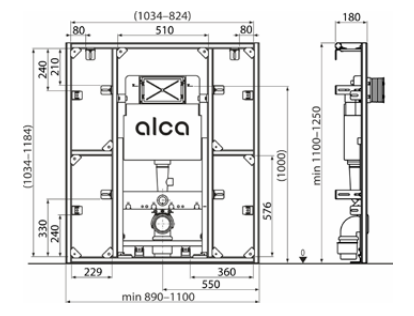
**AS105/850**  
Mounting frame for bidet



Quantity (packing)	1 pc
Quantity (pallet)	18 pcs
Dimensions (piece)	1190×523×90 mm
Weight (piece)	11.9276 kg
Installation height	850 mm



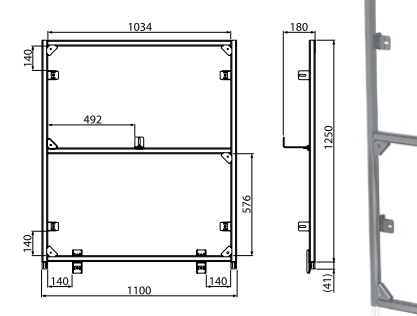
**AS101-SET01, AS101-SET01-PR \***  
System wall + Pre-wall installation system



Quantity (packing)	1 pc
Quantity (pallet)	- pcs
Dimensions (piece)	1100×1250×180 mm
Weight (piece)	30.05 kg
Installation height	1250 mm



**AS101-SET02, AS101-SET02-PR \***  
System wall



Quantity (packing)	1 pc
Quantity (pallet)	- pcs
Dimensions (piece)	1100×1250×180 mm
Weight (piece)	10.4611 kg
Installation height	1250 mm



\* PR in the product code means already assembled prefabricated wall

### OVERVIEW OF ALCASYSTEM COMPONENTS FOR THE INSTALLATION OF WASHBASIN AND URINAL

Wash-basin			Urinal		
Code	Number of pcs		Code	Number of pcs	
AS-P023	1x		AS-P023	1x	
AS-P025	1x		AS-P025	2x	
AS-4500	1x		AS-4500	1x	
AS-P001	6x		AS-P001	6x	
AS-P012	6x		AS-P012	6x	



# Pre-wall installation systems

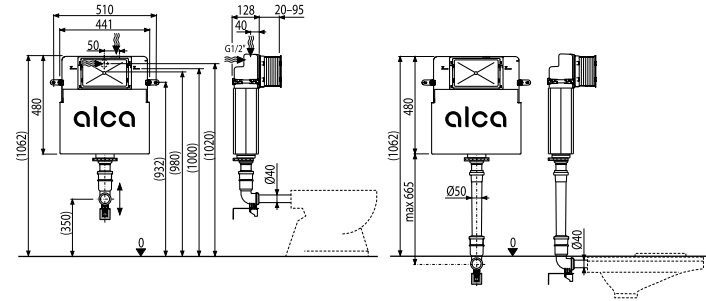
Pre-wall installation systems	18
Pre-wall installation systems for wooden construction houses	23
Pre-wall installation systems Ecology	24
Pre-wall installation systems Slim	25
Pre-wall installation systems with reinforcing fibreglass mesh	26
Pre-wall installation systems with top or front actuation	27
Pre-wall installation systems for people with reduced mobility	28
Pre-wall installation systems with international certification	29
Sanitary ware	31
Pre-wall installation systems – accessories	32
Insulation boards	35
Mounting frames for plumbing fixtures	37



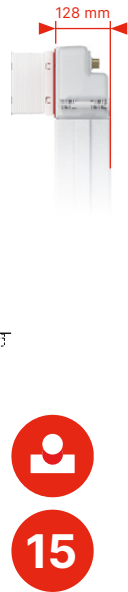
VIDEO



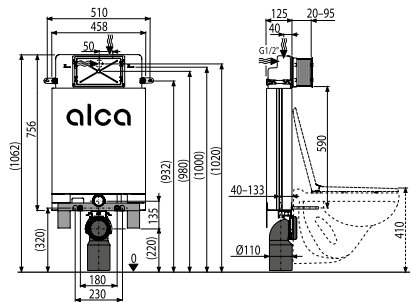
**AM112 Basicmodul**  
Wall concealed WC cistern



Quantity (packing)	1 pc
Quantity (pallet)	20 pcs
Dimensions (piece)	1050×480×140 mm
Weight (piece)	4.8719 kg
Small/big flush	2,5-3,5 l/6-9 l
Installation height	1062 mm



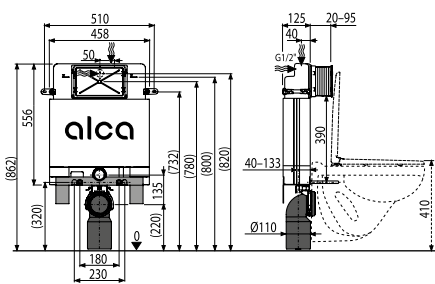
**AM100/1000 Alcamodul**  
Pre-wall installation system for building into solid walls



Quantity (packing)	1 pc
Quantity (pallet)	20 pcs
Dimensions (piece)	1045×140×475 mm
Weight (piece)	7.4299 kg
Small/big flush	2,5-3,5 l/6-9 l
Installation height	1062 mm



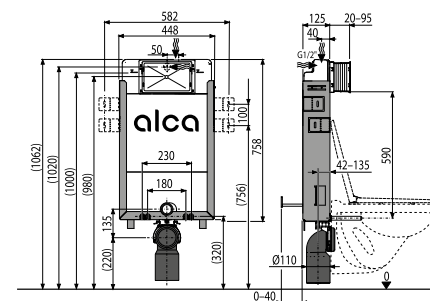
**AM100/850 Alcamodul**  
Pre-wall installation system for building into solid walls



Quantity (packing)	1 pc
Quantity (pallet)	20 pcs
Dimensions (piece)	1045×140×475 mm
Weight (piece)	7.0327 kg
Small/big flush	2,5-3,5 l/6-9 l
Installation height	862 mm



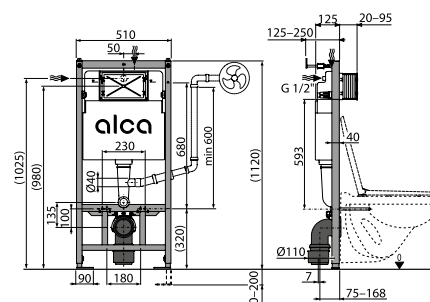
**AM115/1000 Renovmodul**  
Pre-wall installation system for building into solid walls



Quantity (packing)	1 pc
Quantity (pallet)	20 pcs
Dimensions (piece)	1045×140×475 mm
Weight (piece)	9.9307 kg
Small/big flush	2,5-3,5 l/6-9 l
Installation height	1062 mm



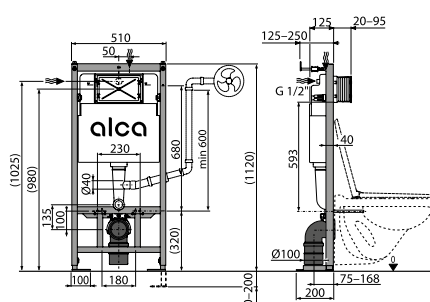
**AM101/1120 Sádromodul**  
Pre-wall installation system for dry build up (plasterboard)



Quantity (packing)	1 pc
Quantity (pallet)	20 pcs
Dimensions (piece)	1130×145×520 mm
Weight (piece)	13.8593 kg
Small/big flush	2,5-3,5 l/6-9 l
Installation height	1120 mm



**AM101/1120F Sádromodul**  
Pre-wall installation system for dry build up (plasterboard)



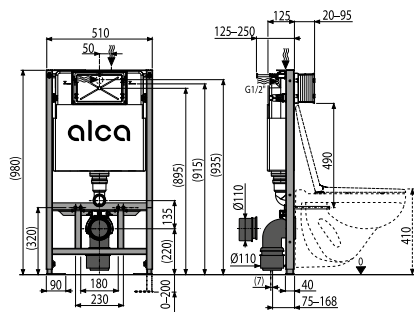
Quantity (packing)	1 pc
Quantity (pallet)	20 pcs
Dimensions (piece)	1130×145×520 mm
Weight (piece)	14.707 kg
Small/big flush	2,5-3,5 l/6-9 l
Installation height	1120 mm





**AM101/1000 Sádromodul**

Pre-wall installation system for dry build up (plasterboard)

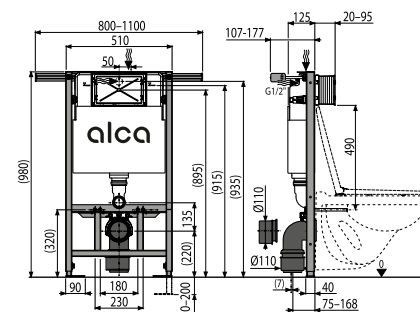


Quantity (packing)	1 pc
Quantity (pallet)	20 pcs
Dimensions (piece)	1130×145×520 mm
Weight (piece)	13.7147 kg
Small/big flush	2,5-3,5 l/6-9 l
Installation height	1062 mm



**AM102/1000 Jádromodul**

Pre-wall installation system for dry build up (especially for renovation of concrete panel housing units)

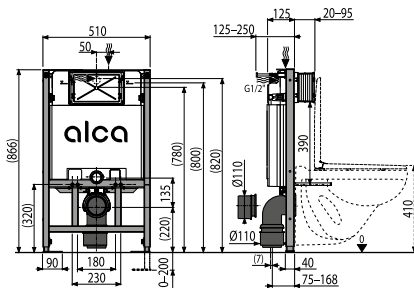


Quantity (packing)	1 pc
Quantity (pallet)	15 pcs
Dimensions (piece)	1130×145×520 mm
Weight (piece)	15.9829 kg
Small/big flush	2,5-3,5 l/6-9 l
Installation height	980 mm



**AM101/850 Sádromodul**

Pre-wall installation system for dry build up (plasterboard)

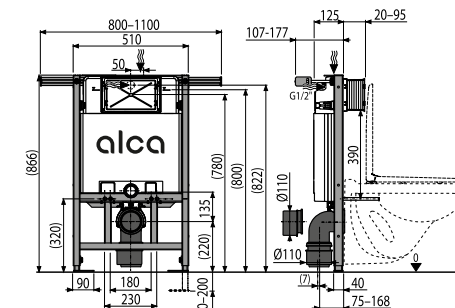


Quantity (packing)	1 pc
Quantity (pallet)	15 pcs
Dimensions (piece)	1130×145×520 mm
Weight (piece)	13.08 kg
Small/big flush	2,5-3,5 l/6-9 l
Installation height	866 mm



**AM102/850 Jádromodul**

Pre-wall installation system for dry build up (especially for renovation of concrete panel housing units)

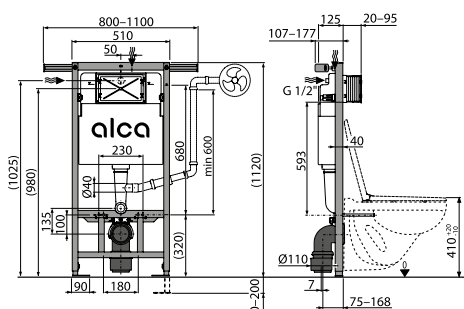


Quantity (packing)	1 pc
Quantity (pallet)	15 pcs
Dimensions (piece)	1130×145×520 mm
Weight (piece)	15.6493 kg
Small/big flush	2,5-3,5 l/6-9 l
Installation height	866 mm



**AM102/1120 Jádromodul**

Pre-wall installation system for dry build up (especially for renovation of concrete panel housing units)

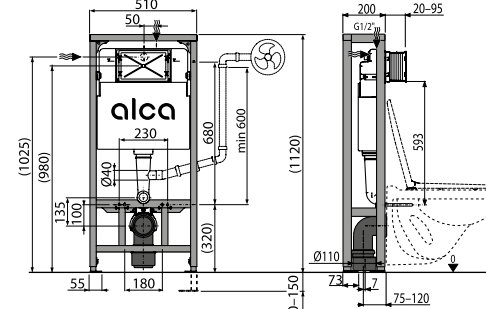


Quantity (packing)	1 pc
Quantity (pallet)	15 pcs
Dimensions (piece)	1130×145×520 mm
Weight (piece)	16.1679 kg
Small/big flush	2,5-3,5 l/6-9 l
Installation height	1120 mm



**AM116/1120 Solomodul**

Pre-wall installation system for dry build up (self-supporting)

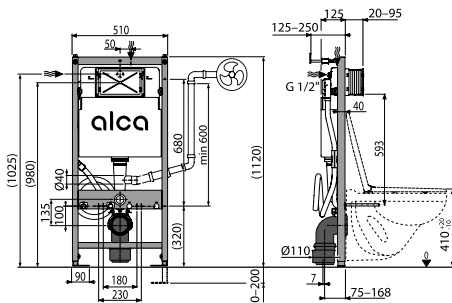


Quantity (packing)	1 pc
Quantity (pallet)	12 pcs
Dimensions (piece)	1195×220×525 mm
Weight (piece)	20.8917 kg
Small/big flush	2,5-3,5 l/6-9 l
Installation height	1120 mm



**AM120/1120 Sádromodul**

Pre-wall installation system for toilets with bidet function



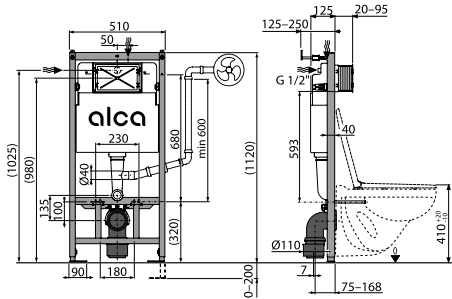
Quantity (packing)	1 pc
Quantity (pallet)	15 pcs
Dimensions (piece)	1130×520×145 mm
Weight (piece)	14.1511 kg
Small/big flush	2,5-3,5 l/6-9 l
Installation height	1120 mm



for electricity and water connection - P192, P193

**AM121/1120 Sádromodul**

Pre-wall installation system with integrated hygienic pipe flushing function



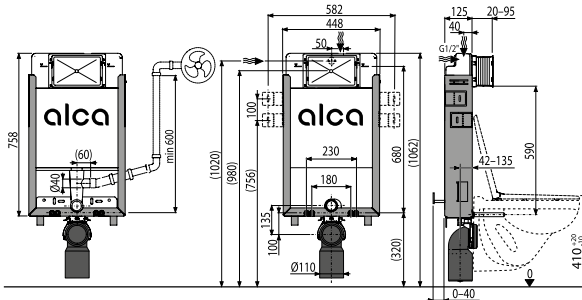
Quantity (packing)	1 pc
Quantity (pallet)	20 pcs
Dimensions (piece)	1130×145×520 mm
Weight (piece)	13.8879 kg
Small/big flush	2,5-3,5 l/6-9 l
Installation height	1120 mm



cold and warm hygienic water flush

**AM115/1000V Renovmodul**

Pre-wall installation system with ventilation for building into solid walls

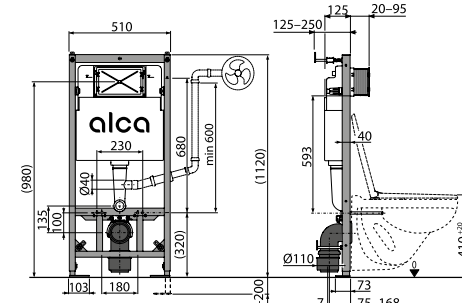


Quantity (packing)	1 pc
Quantity (pallet)	20 pcs
Dimensions (piece)	1045×140×475 mm
Weight (piece)	9.9458 kg
Small/big flush	2,5-3,5 l/6-9 l
Installation height	1062 mm



**AM101/1120W Sádromodul**

Pre-wall installation system for dry build up (plasterboard)

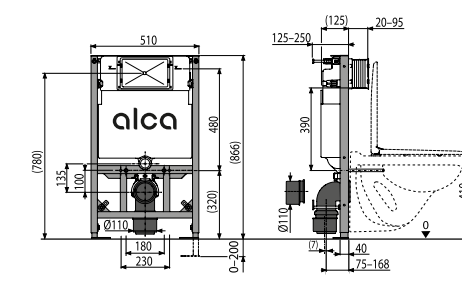


Quantity (packing)	1 pc
Quantity (pallet)	15 pcs
Dimensions (piece)	1130×145×520 mm
Weight (piece)	14.3208 kg
Small/big flush	2,5-3,5 l/6-9 l
Installation height	1120 mm



**AM101/850W Sádromodul**

Pre-wall installation system for dry build up (plasterboard)



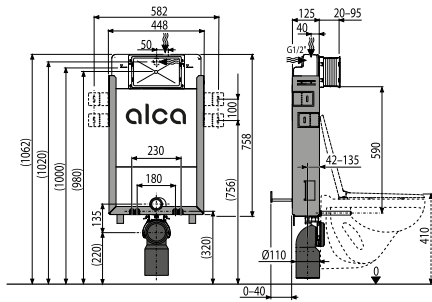
Quantity (packing)	1 pc
Quantity (pallet)	15 pcs
Dimensions (piece)	1130×145×520 mm
Weight (piece)	14.0995 kg
Small/big flush	2,5-3,5 l/6-9 l
Installation height	866 mm





**AM115/1000E Renovmodul**

Pre-wall installation system Ecology for building into solid walls

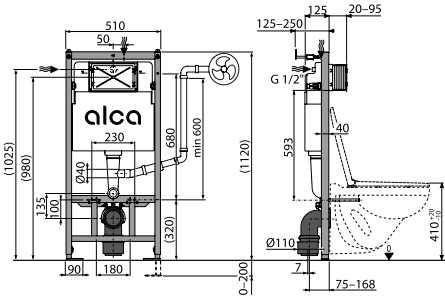


Quantity (packing)	1 pc
Quantity (pallet)	20 pcs
Dimensions (piece)	1045×140×475 mm
Weight (piece)	9.8327 kg
Small/big flush	2-4 l/3,5-6 l
Installation height	1062 mm



**AM101/1120E Sádromodul**

Pre-wall installation system Ecology for dry build up (plasterboard)

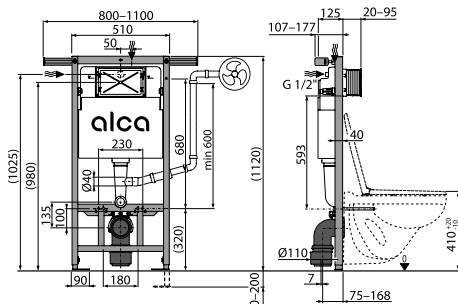


Quantity (packing)	1 pc
Quantity (pallet)	15 pcs
Dimensions (piece)	1130×145×520 mm
Weight (piece)	13.6405 kg
Small/big flush	2-4 l/3,5-6 l
Installation height	1120 mm



**AM102/1120E Jádromodul**

Pre-wall installation system Ecology for dry build up (especially for renovation of concrete panel housing units)

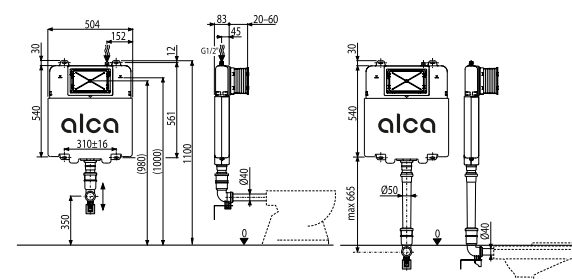


Quantity (packing)	1 pc
Quantity (pallet)	15 pcs
Dimensions (piece)	1130×145×520 mm
Weight (piece)	16.2582 kg
Small/big flush	2-4 l/3,5-6 l
Installation height	1120 mm



**AM1112 Basicmodul Slim**

Wall concealed WC cistern

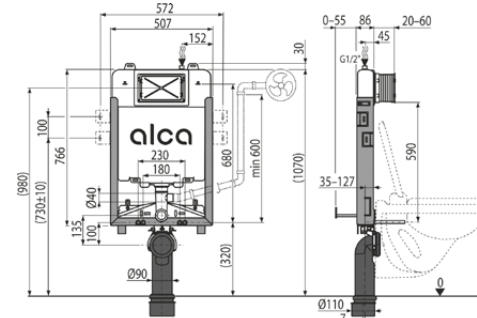


Quantity (packing)	1 pc
Quantity (pallet)	20 pcs
Dimensions (piece)	965×515×110 mm
Weight (piece)	5.1675 kg
Small/big flush	3 l/6 l
Installation height	1100 mm



**AM1115/1000 Renovmodul Slim**

Pre-wall installation system for building into solid walls

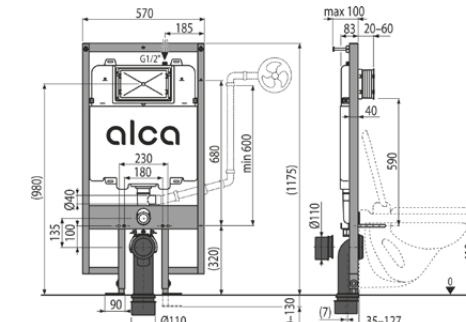


Quantity (packing)	1 pc
Quantity (pallet)	20 pcs
Dimensions (piece)	1086×528×145 mm
Weight (piece)	9.9544 kg
Small/big flush	3 l/6 l
Installation height	1070 mm



**AM1101/1200 Sádromodul Slim**

Pre-wall installation system for dry build up (plasterboard)

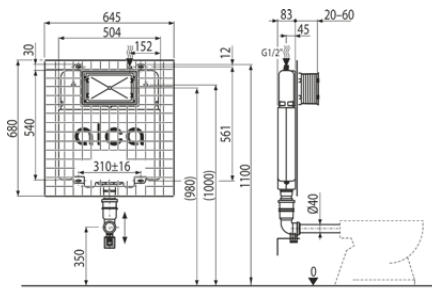


Quantity (packing)	1 pc
Quantity (pallet)	15 pcs
Dimensions (piece)	1210×140×590 mm
Weight (piece)	16.0926 kg
Small/big flush	3 l/6 l
Installation height	1175 mm



**AM1112P Basicmodul Slim**  
Wall concealed WC cistern

new

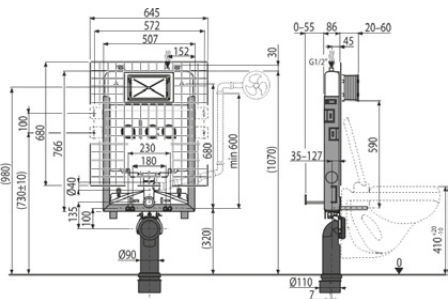


Quantity (packing)	1 pc
Quantity (pallet)	20 pcs
Dimensions (piece)	965×515×110 mm
Weight (piece)	5.3823 kg
Small/big flush	3 l/6 l
Installation height	1100 mm



**AM1115P/1000 Renovmodul Slim**  
Pre-wall installation system for building into solid walls

new

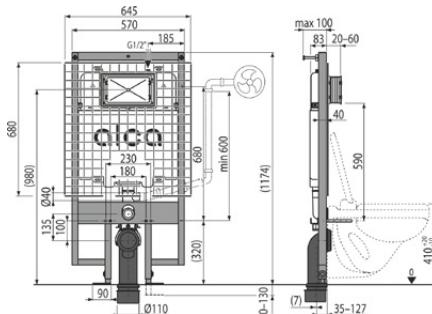


Quantity (packing)	1 pc
Quantity (pallet)	20 pcs
Dimensions (piece)	1086×528×145 mm
Weight (piece)	10.7379 kg
Small/big flush	3 l/6 l
Installation height	1070 mm



**AM1101P/1200 Sádromodul Slim**  
Pre-wall installation system for dry build up (plasterboard)

new

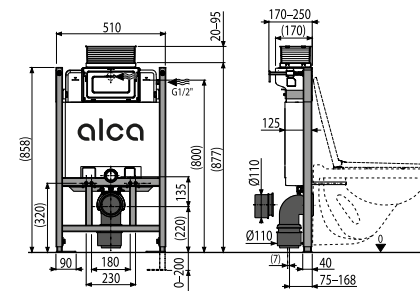


Quantity (packing)	1 pc
Quantity (pallet)	15 pcs
Dimensions (piece)	1210×140×590 mm
Weight (piece)	15.215 kg
Small/big flush	3 l/6 l
Installation height	1175 mm



**AM118/850 Sádromodul**

Pre-wall installation system for dry build up (plasterboard) with top or front actuation

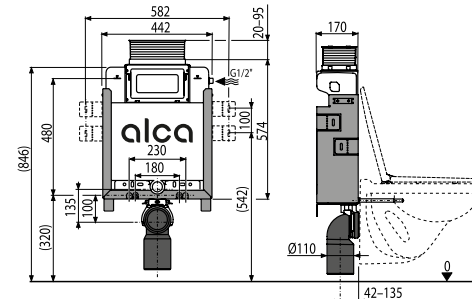


Quantity (packing)	1 pc
Quantity (pallet)	16 pcs
Dimensions (piece)	998×526×178 mm
Weight (piece)	13.2526 kg
Small/big flush	2,5-3,5 l/6-9 l
Installation height	858 mm



**AM119/850 Renovmodul**

Pre-wall installation system for building into solid walls with top or front actuation



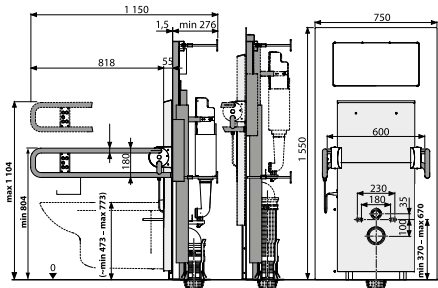
Quantity (packing)	1 pc
Quantity (pallet)	16 pcs
Dimensions (piece)	1040×465×180 mm
Weight (piece)	10.5605 kg
Small/big flush	2,5-3,5 l/6-9 l
Installation height	862 mm





**AM101/1500L Medic Assistant**

Pre-wall installation system for dry build up, height adjustable – for people with reduced mobility



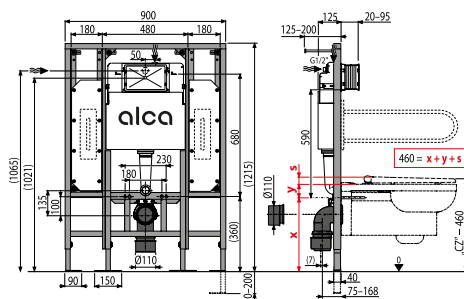
Quantity (packing)	1 pc
Quantity (pallet)	1 pcs
Dimensions (piece)	1686×835×654 mm
Weight (piece)	191.0623 kg
Small/big flush	2–9 l/2–9 l
Installation height	1550 mm



Toilet bowl not included

**AM101/1300H Sádromodul**

Pre-wall installation system for dry build up (plasterboard) – for people with reduced mobility

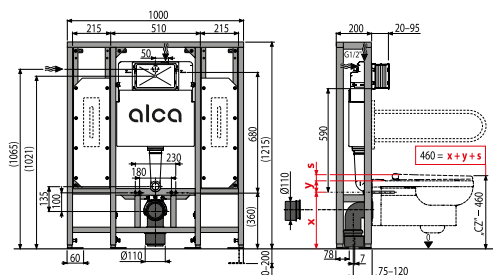


Quantity (packing)	1 pc
Quantity (pallet)	5 pcs
Dimensions (piece)	1195×935×145 mm
Weight (piece)	32.6599 kg
Small/big flush	2,5–3,5 l/6–9 l
Installation height	1274 mm



**AM116/1300H Solomodul**

Pre-wall installation system for dry build up (self-supporting) – for people with reduced mobility

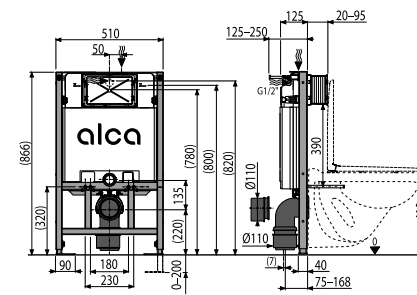


Quantity (packing)	1 pc
Quantity (pallet)	5 pcs
Dimensions (piece)	1010×1285×210 mm
Weight (piece)	46.0403 kg
Small/big flush	2,5–3,5 l/6–9 l
Installation height	1274 mm

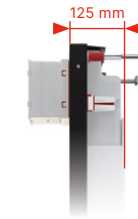


**AM101/850-0005 WRAS**

Pre-wall installation system for dry build up (plasterboard)

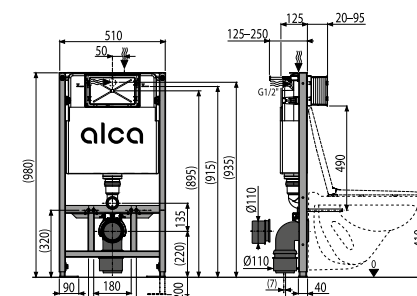


Quantity (packing)	1 pc
Quantity (pallet)	15 pcs
Dimensions (piece)	1130×145×520 mm
Weight (piece)	13.08 kg
Small/big flush	2,5–3,5 l/6–9 l
Installation height	866 mm

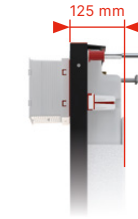


**AM101/1000-0005 WRAS**

Pre-wall installation system for dry build up (plasterboard)

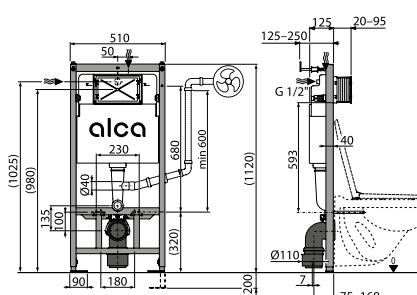


Quantity (packing)	1 pc
Quantity (pallet)	20 pcs
Dimensions (piece)	1130×145×520 mm
Weight (piece)	13.7147 kg
Small/big flush	2,5–3,5 l/6–9 l
Installation height	1062 mm

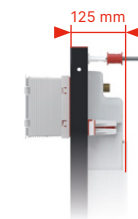


**AM101/1120-0005 WRAS**

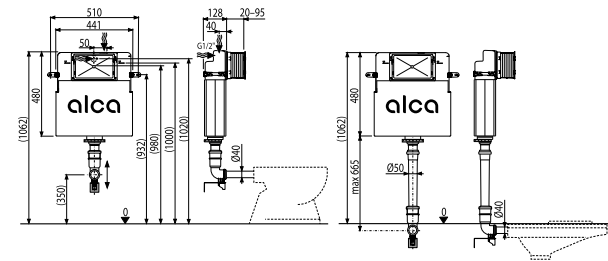
Pre-wall installation system for dry build up (plasterboard)



Quantity (packing)	1 pc
Quantity (pallet)	20 pcs
Dimensions (piece)	1130×145×520 mm
Weight (piece)	13.8593 kg
Small/big flush	2,5–3,5 l/6–9 l
Installation height	1120 mm



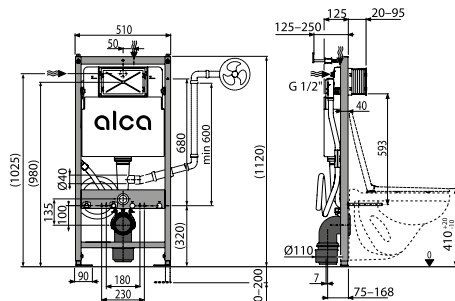
**AM112-0005 WRAS**  
Wall concealed WC cistern



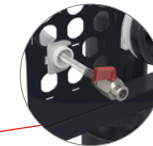
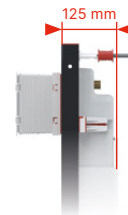
Quantity (packing)	1 pc
Quantity (pallet)	20 pcs
Dimensions (piece)	1050×480×140 mm
Weight (piece)	4.8719 kg
Small/big flush	2,5-3,5 l/6-9 l
Installation height	1062 mm



**AM120/1120-0005 WRAS**  
Pre-wall installation system for toilets with bidet function



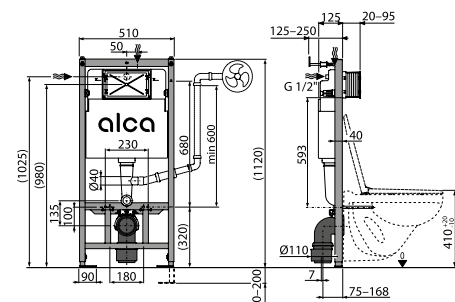
Quantity (packing)	1 pc
Quantity (pallet)	15 pcs
Dimensions (piece)	1130×520×145 mm
Weight (piece)	14.1511 kg
Small/big flush	2,5-3,5 l/6-9 l
Installation height	1120 mm



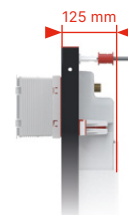
for electricity and water connection - P192, P193



**AM101/1120-0006 KIWA**  
Pre-wall installation system for dry build up (plasterboard)



Quantity (packing)	1 pc
Quantity (pallet)	20 pcs
Dimensions (piece)	1130×145×520 mm
Weight (piece)	13.8593 kg
Small/big flush	2,5-3,5 l/6-9 l
Installation height	1120 mm



**WC SOLID**  
Wall-hung WC + WC seat SLIM  
SOFTCLOSE, Duroplast



Quantity (packing)	1 pc
Quantity (pallet)	16 pcs
Material	ceramics

**WC ALCA**  
Wall-hung WC



Quantity (packing)	1 pc
Quantity (pallet)	12 pcs
Material	ceramics

**WS ALCA**  
Waste sink with cover grid



Quantity (packing)	1 pc
Quantity (pallet)	12 pcs
Material	ceramics

**WC Alca MEDIC**  
Wall-hung WC for people with reduced mobility



Quantity (packing)	1 pc
Quantity (pallet)	6 pcs
Material	ceramics

**WC RIMFLOW**  
Wall-hung WC



Quantity (packing)	1 pc
Quantity (pallet)	12 pcs
Material	ceramics

**P128**  
Extraction fan for pre-wall installation systems with ventilation



Quantity (packing)	7 pc
Quantity (pallet)	112 pcs
Material	plastic

**P115**  
Water flow speed regulator



Quantity (packing)	100 pcs
Quantity (pallet)	3200 pcs
Material	polypropylene

**M9006**  
Elbow waste connector DN90/110 flexi



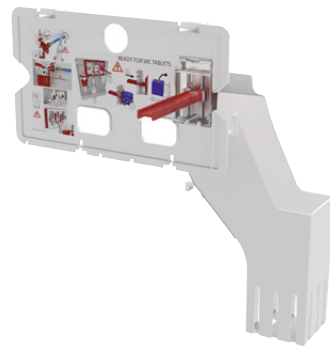
Quantity (packing)	25 pcs
Quantity (pallet)	400 pcs
Material	polypropylene

**P103**  
Water supply console G1/2"



Quantity (packing)	1 pcs
Quantity (pallet)	- pcs
Material	brass, powder-coated metal

**P169**  
Set for inserting WC tablets



Quantity (packing)	24 pcs
Quantity (pallet)	672 pcs
Material	plastic

**M906**  
Elbow waste connector set DN90/110



Quantity (packing)	20 pcs
Quantity (pallet)	320 pcs
Material	polyethylene

**M908**  
Elbow waste connector set DN90/90



Quantity (packing)	20 pcs
Quantity (pallet)	320 pcs
Material	polyethylene

**M907**  
Reduction set DN90/110



Quantity (packing)	60 pcs
Quantity (pallet)	960 pcs
Material	polyethylene

**M909**  
Double elbow 90° with sealing



Quantity (packing)	10 pcs
Quantity (pallet)	160 pcs
Material	polyethylene

**M968**  
Elbow waste connector set DN90 Slim



Quantity (packing)	20 pcs
Quantity (pallet)	320 pcs
Material	polyethylene

**M900K-DN90** new from II.Q  
WC accessories set DN90, 200 mm



Quantity (packing)	10 pcs
Quantity (pallet)	160 pcs
Material	polyethylene, galvanized metal

**M900**  
Accessories set



Quantity (packing)	15 pcs
Quantity (pallet)	240 pcs
Material	polypropylene, galvanized metal

**M900K-DN110** new from II.Q  
WC accessories set DN110, 200 mm



Quantity (packing)	10 pcs
Quantity (pallet)	160 pcs
Material	polyethylene, galvanized metal

**M9000**  
Complete extended accessories to be used with WC for people with reduced mobility



Quantity (packing)	10 pcs
Quantity (pallet)	160 pcs
Material	polypropylene, galvanized metal

**M9000K-DN90** new from II.Q  
WC accessories set DN90, 300 mm



Quantity (packing)	10 pcs
Quantity (pallet)	160 pcs
Material	polyethylene, galvanized metal

**M900KE-DN90** new from II.Q  
WC accessories set DN90/110, 25 mm



Quantity (packing)	10 pcs
Quantity (pallet)	160 pcs
Material	polyethylene, galvanized metal

**M900KE-DN110** new from II.Q  
WC accessories set DN110/110, 25 mm



Quantity (packing)	10 pcs
Quantity (pallet)	160 pcs
Material	polyethylene, galvanized metal

**M901**  
Inlet seal + outlet + wrapping seal 45x58x25



Quantity (packing)	50 pcs
Quantity (pallet)	800 pcs
Material	polypropylene



**M9001** new  
 Extended connector to be used with WC for people with reduced mobility, 300 mm



Quantity (packing) – pcs  
 Quantity (pallet) – pcs  
 Material polypropylene

**M147**  
 Extended connector to be used with WC for people with reduced mobility, 375 mm



Quantity (packing) 75 pcs  
 Quantity (pallet) 2100 pcs  
 Material polypropylene

**M148**  
 Extended connector to be used with WC for people with reduced mobility, 340 mm



Quantity (packing) 15 pcs  
 Quantity (pallet) 240 pcs  
 Material polypropylene

**P195**  
 Remote control for AM121



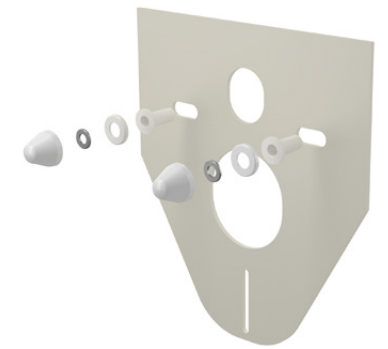
Quantity (packing) 1 pcs  
 Quantity (pallet) – pcs  
 Material –

**M91**  
 Noise insulation for wall-hung WC and bidets



Quantity (packing) 150 pcs  
 Quantity (pallet) 600 pcs  
 Material XPLE

**M910**  
 Noise insulation for wall-hung WC and bidets with accessories including cover cap (white)



Quantity (packing) 50 pcs  
 Quantity (pallet) 800 pcs  
 Material XPLE

**M902**  
 Drainage seal + connector + connector seal



Quantity (packing) 20 pcs  
 Quantity (pallet) 320 pcs  
 Material polypropylene

**M918**  
 Adapter for corner installations



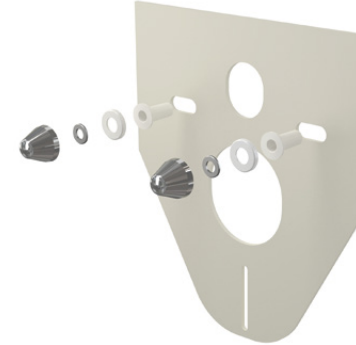
Quantity (packing) 40 pcs  
 Quantity (pallet) 1120 pcs  
 Material plastic, galvanized metal, stainless steel

**M90**  
 Legs for pre-wall installation systems



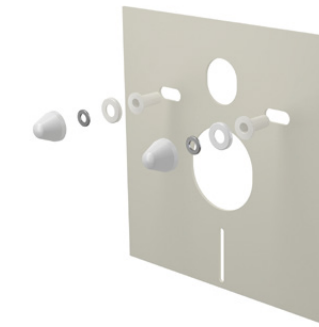
Quantity (packing) 1 pcs  
 Quantity (pallet) – pcs  
 Material powder-coated metal

**M910CR**  
 Noise insulation for wall-hung WC and bidets with accessories including cover cap (chrome)



Quantity (packing) 50 pcs  
 Quantity (pallet) 800 pcs  
 Material XPLE

**M930**  
 Noise insulation for wall-hung WC and bidets with accessories including cover cap (white)



Quantity (packing) 50 pcs  
 Quantity (pallet) 800 pcs  
 Material XPLE

**M930CR**  
 Noise insulation for wall-hung WC and bidets with accessories including cover cap (chrome)



Quantity (packing) 50 pcs  
 Quantity (pallet) 800 pcs  
 Material XPLE

**P118**  
 Prolonged legs for pre-wall installation systems



Quantity (packing) 1 pcs  
 Quantity (pallet) – pcs  
 Material powder-coated metal

**P192**  
 Connection set for toilets or seats with bidet function



Quantity (packing) 1 pcs  
 Quantity (pallet) – pcs  
 Material stainless steel, brass, plastic

**P193**  
 Connection board for toilets or seats with bidet function



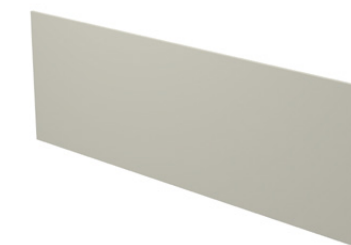
Quantity (packing) 1 pcs  
 Quantity (pallet) – pcs  
 Material stainless steel with black-matt finish

**M920**  
 Noise insulation for floor standing WC and bidets



Quantity (packing) 150 pcs  
 Quantity (pallet) 600 pcs  
 Material XPLE

**M940**  
 Noise insulation for wall-hung wash-basins



Quantity (packing) 100 pcs  
 Quantity (pallet) 600 pcs  
 Material XPLE

**M950**  
 Noise insulation for wall-hung urinals



Quantity (packing) 60 pcs  
 Quantity (pallet) 240 pcs  
 Material XPLE



PRE-WALL INSTALLATION SYSTEMS CHARACTERISTICS


Code	For building into solid walls	For dry build up	For wooden construction houses	Ecology	With ventilation	Slim	Top actuation	For people with reduced mobility	Self-supporting/in front of supporting wall	WC tablets dispenser
<b>Wall concealed WC cistern</b>										
AM112	●			●						●
AM1112	●					●				
<b>Alcamodul</b>										
AM100/1000	●			●						●
AM100/1000E	●			●						●
AM100/850	●									●
<b>Sádromodul</b>										
AM101/1000	○	●		●						●
AM101/1120	○	●		●	●					●
AM101/1120E	○	●		●	●					●
AM101/1120F	○	●		●	●					●
AM101/1120W		●	●	●	●					●
AM101/1300H	○	●		●	●			●		●
AM101/850	○	●								●
AM1101/1200	○	●			●	●				●
AM118/850	○	●					●			●
AM101/850W			●	●						●
AM120/1120	○	●		●	●					●
AM121/1120	○	●		●	●					●
AS101		●		●	●					●
<b>Jádromodul</b>										
AM102/1000	○	●		●						●
AM102/1120	○	●		●	●					●
AM102/1120E	○	●		●	●					●
AM102/850	○	●								●
<b>Renovomodul</b>										
AM115/1000	●			●						●
AM115/1000E	●			●						●
AM115/1000V	●			●	●					●
AM115/1000	●				●	●				●
AM119/850	●						●			●
<b>Solomodul</b>										
AM116/1120	○	●		●	●			●	●	●
AM116/1300H	○	●		●	●			●	●	●
<b>Medic Assistant</b>										
AM101/1500L					●			●	●	

- basic characteristic
- it can also be built into solid walls
- it can be easily converted to WC system Ecology by replacing for A06E flush valve

# Innovation of mounting frames




**NEW HEIGHT**  
1120 mm

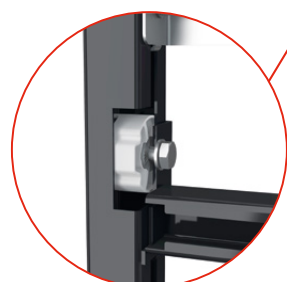


**UNIFIED WIDTH**  
510 mm

- Made in Czech Republic
- Exceptional warranty 15 years
- Availability of spare parts 25 years



**CROSSBARS MOUNTING FROM THE BACK SIDE**  
Faster installation thanks to adjustable partitions



**CROSSBAR POSITION LOCK**  
Fixing the position with a lock



**VARIABILITY OF WASTE ELBOW DIAMETER**  
Waste elbow with connection to trap DN32/DN40, for waste DN40/DN50  
Applies to frames A104, A105




**FIXATION SET EASY LOCK FOR MOUNTING TO THE WALL**  
Even faster and easier installation  
The new design allows a simple mounting to the wall in half the time.

**Exact setting**  
Optional additional adjustment to an optimal position using an allen key accessed via the front of the frame.

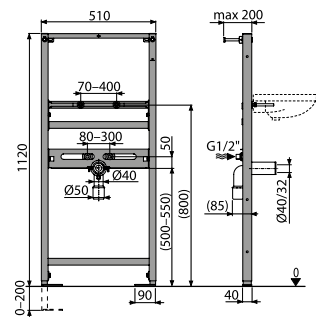


**ASSEMBLY OF URINALS WITH HIDDEN CONNECTION**  
Just turn the larger galvanized bracket 180° and fasten it first in the order from the top.  
The procedure is shown in detail in the installation manual.



**ANCHOR FEET BRAKE**  
The feet lock system allows setting the necessary building height of the frame profile and then ensure its final position by tightening.

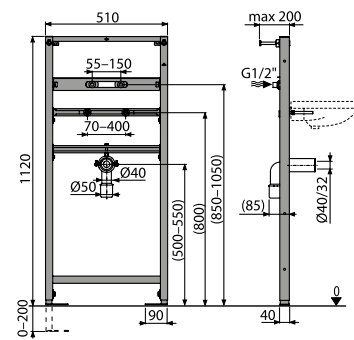
**A104/1120**  
Mounting frame for wash-basin



Quantity (packing)	1 pc
Quantity (pallet)	30 pcs
Dimensions (piece)	1125×515×75 mm
Weight (piece)	8.2629 kg
Installation height	1120 mm



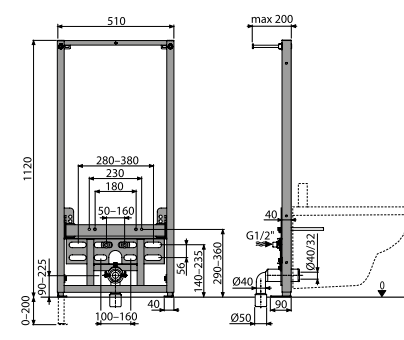
**A104A/1120**  
Mounting frame for wash-basin and tap



Quantity (packing)	1 pc
Quantity (pallet)	30 pcs
Dimensions (piece)	1125×515×75 mm
Weight (piece)	9.0631 kg
Installation height	1120 mm



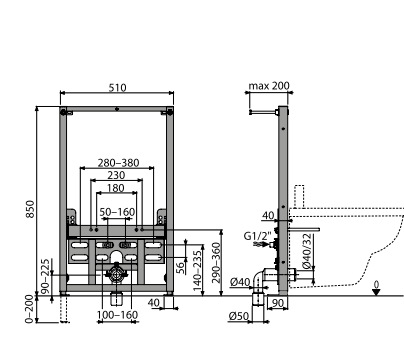
**A105/1120**  
Mounting frame for bidet



Quantity (packing)	1 pc
Quantity (pallet)	20 pcs
Dimensions (piece)	1125×515×75 mm
Weight (piece)	12.0453 kg
Installation height	1120 mm



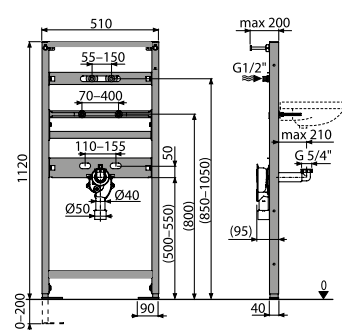
**A105/850**  
Mounting frame for bidet



Quantity (packing)	1 pc
Quantity (pallet)	20 pcs
Dimensions (piece)	1125×515×75 mm
Weight (piece)	11.0362 kg
Installation height	850 mm



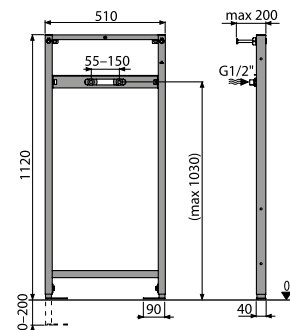
**A104AVS/1120**  
Mounting frame for wash-basin and tap with built-in trap



Quantity (packing)	1 pc
Quantity (pallet)	30 pcs
Dimensions (piece)	1125×515×75 mm
Weight (piece)	9.4664 kg
Installation height	1120 mm



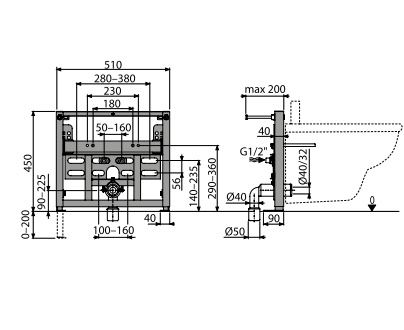
**A104B/1120**  
Mounting frame for faucet



Quantity (packing)	1 pc
Quantity (pallet)	30 pcs
Dimensions (piece)	1125×515×75 mm
Weight (piece)	7.2297 kg
Installation height	1120 mm



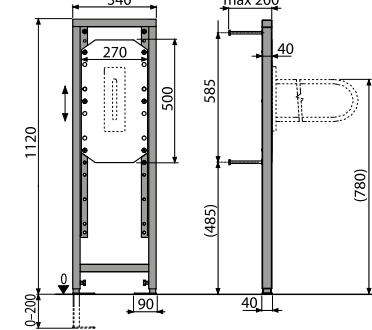
**A105/450**  
Mounting frame for bidet



Quantity (packing)	1 pc
Quantity (pallet)	20 pcs
Dimensions (piece)	450×513×80 mm
Weight (piece)	9.5662 kg
Installation height	450 mm



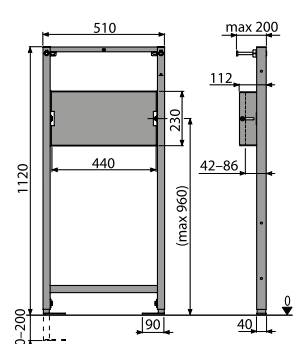
**A106/1120**  
Mounting frame for handle



Quantity (packing)	1 pc
Quantity (pallet)	30 pcs
Dimensions (piece)	1126×340×78 mm
Weight (piece)	11.1351 kg
Installation height	1120 mm



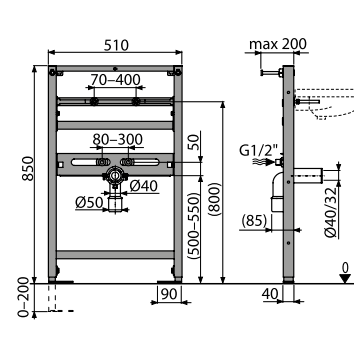
**A104PB/1120**  
Mounting frame for built-in mixer



Quantity (packing)	1 pc
Quantity (pallet)	30 pcs
Dimensions (piece)	1125×515×75 mm
Weight (piece)	7.7442 kg
Installation height	1120 mm



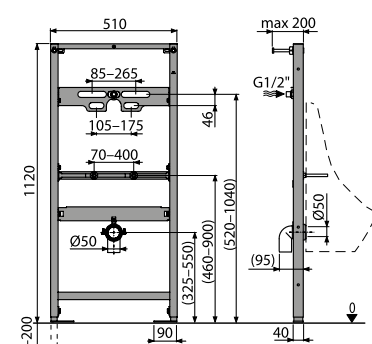
**A104/850**  
Mounting frame for wash-basin



Quantity (packing)	1 pc
Quantity (pallet)	30 pcs
Dimensions (piece)	1125×515×75 mm
Weight (piece)	7.3981 kg
Installation height	850 mm



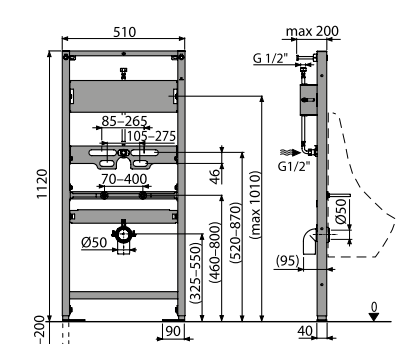
**A107/1120**  
Mounting frame for urinal



Quantity (packing)	1 pc
Quantity (pallet)	30 pcs
Dimensions (piece)	1125×515×75 mm
Weight (piece)	8.744 kg
Installation height	1120 mm



**A107S/1120**  
Mounting frame for urinal and sensor

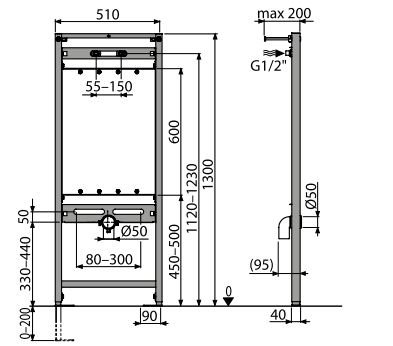


Quantity (packing)	1 pc
Quantity (pallet)	30 pcs
Dimensions (piece)	1125×515×75 mm
Weight (piece)	9.9772 kg
Installation height	1120 mm





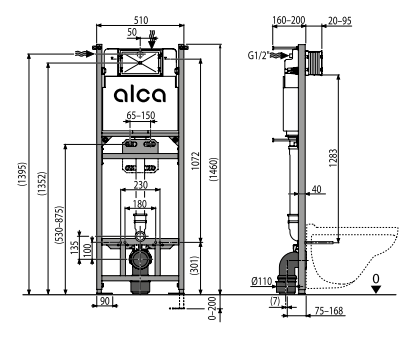
**A108/1300**  
Mounting frame for waste sink and faucet



Quantity (packing)	1 pc
Quantity (pallet)	30 pcs
Dimensions (piece)	1300×510×65 mm
Weight (piece)	6.1447 kg
Installation height	1300 mm



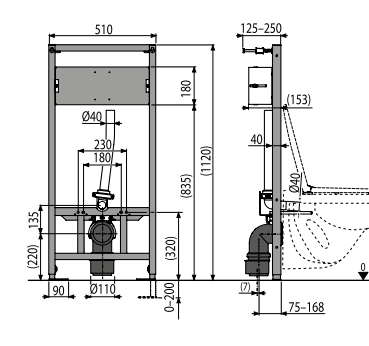
**A108F/1500**  
Mounting frame with cistern for a waste sink with waste connection DN90/110 and faucet



Quantity (packing)	1 pc
Quantity (pallet)	10 pcs
Dimensions (piece)	1460×530×155 mm
Weight (piece)	17.3481 kg
Installation height	1460 mm



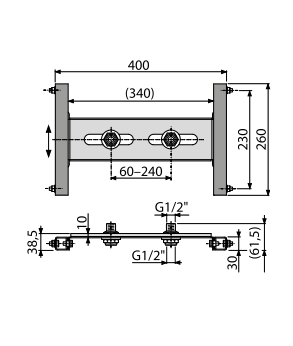
**A114S/1120**  
Mounting frame for wall-hung WC and sensor



Quantity (packing)	1 pcs
Quantity (pallet)	15 pcs
Dimensions (piece)	1125×515×75 mm
Weight (piece)	12.9341 kg
Installation height	1120 mm



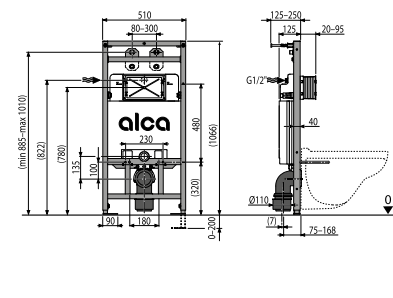
**A117B**  
Mounting frame for faucet in plasterboard structure



Quantity (packing)	20 pcs
Quantity (pallet)	160 pcs
Dimensions (piece)	370×80×140 mm
Weight (piece)	1.9108 kg
Installation height	- mm



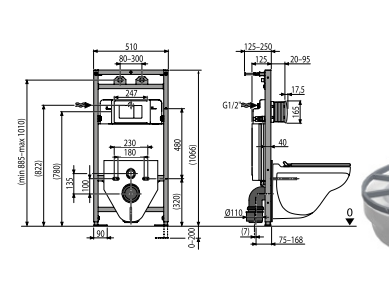
**A108F/1100**  
Mounting frame with cistern for a waste sink with waste connection DN90/110 and faucet



Quantity (packing)	1 pc
Quantity (pallet)	15 pcs
Dimensions (piece)	1107×515×139 mm
Weight (piece)	15.8606 kg
Installation height	1067 mm



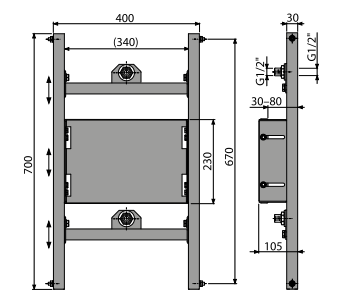
**A108F 5:1 SET**  
Set: mounting frame, waste sink inc. grid, insulation, flush plate



Quantity (packing)	1 pc
Quantity (pallet)	- pcs
Dimensions (piece)	1195×530×145, 640×390×440 mm
Weight (piece)	31.6522 kg
Installation height	1066 mm



**A117PB**  
Mounting frame for built-in mixer in plasterboard structure



Quantity (packing)	1 pc
Quantity (pallet)	40 pcs
Dimensions (piece)	800×133×470 mm
Weight (piece)	6.3274 kg
Installation height	- mm

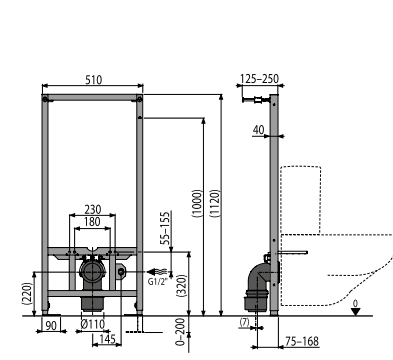


**M972**  
Elbow waste connector DN50/40



Quantity (packing)	1 pc
Quantity (pallet)	- pcs
Dimensions (piece)	190×170×5 mm
Weight (piece)	0.122 kg

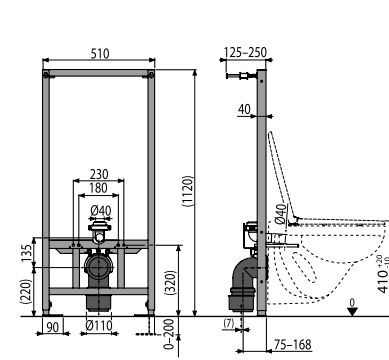
**A113/1120**  
Mounting frame for wall-hung WC combi



Quantity (packing)	1 pc
Quantity (pallet)	15 pcs
Dimensions (piece)	1158×515×140 mm
Weight (piece)	11.1245 kg
Installation height	1120 mm



**A114/1120**  
Mounting frame for wall-hung WC



Quantity (packing)	1 pc
Quantity (pallet)	15 pcs
Dimensions (piece)	1158×515×140 mm
Weight (piece)	11.1019 kg
Installation height	1120 mm



# Flush plates and sensors

Flush plates for pre-wall installation systems	44
Basic	46
Basic 2	46
Basic 7	46
Thin	46
Thin 5	46
Thin 6	46
Thin 7	46
Linka	47
Dot.Dot.	47
Flat	47
Ray	47
Moon	47
Turn	47
Fun	47
Air	48
Special	48
Night Light	48
Antivandal	48
Sensor flush plates	48
Sensors	49
Remote flushing	49
Sensor program power supply units	50



VIDEO



alca



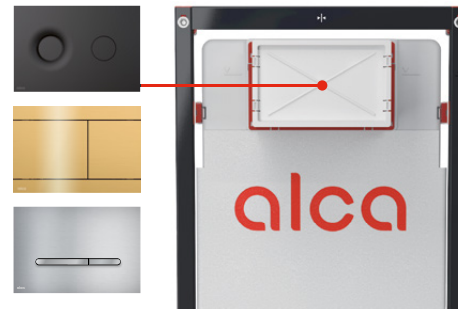
# Flush plates for pre-wall installation systems

The exclusivity of WC flush plates lies in precise processing, innovative development and the use of the most modern technologies, thanks to which it offers a wide range of color designs that easily match any interior style. The flush plates are divided into four sections: Basic, Thin, Flat and Special. The primary product line Basic meets the high demands of everyday use, thanks to its long life, constant color and easy maintenance. The Thin category have flat profile, which stands out only five millimeters above the tiles. The premium Flat series brings fine materials to bathrooms, such as stainless steel, brass, aluminum or Czech glass. The range Special offers modern and hygienic solutions, such as flush plates with touch-less sensors, remote control or increased resistance, which are suitable for any bathroom or space.

100%

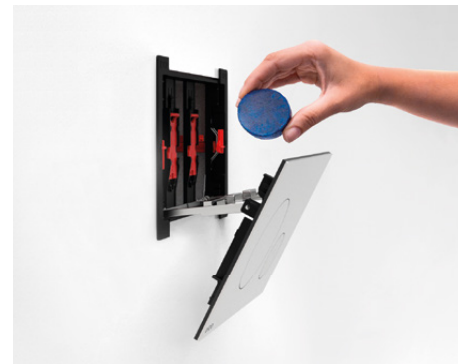
## Compatibility with Alca WC systems

Flush plates Alca are fully compatible with all types of Alca WC systems. Experiment with shapes, materials and colors in your bathroom.



## Tilting

For more convenient refilling of toilet tablets, the majority of flush plates are equipped with a tilting system. This allows you to easily tilt the flush plate without the use of any tools, insert the WC tablet into the tablet dispenser and put the flush plate back on.



## Anti-fingerprint

The surface of the flush plates has a special protective layer, which does not show fingerprint marks. In addition to the aesthetic function has this adjustment also other benefits. The flush plates need not to be treated so often, thereby significantly increasing their long-life.

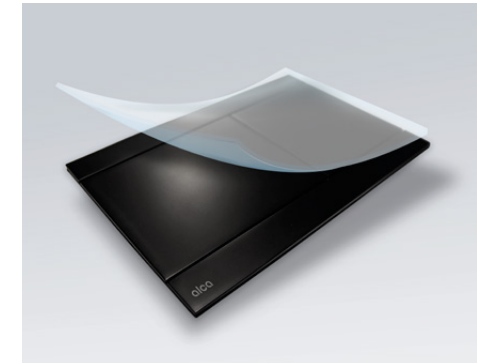


## Antibacterial surface treatment

Selected flush plates with black-matt and white-matt finishes come with an antibacterial surface treatment. The upper transparent varnish contains silver nanoparticles, which have antibacterial properties and prevent the spread of unwanted micro-organisms on the surface of the flush plate.

## Flush plates with antibacterial surface finish

M1876, M1878, M1976, M1978, M278, M576, M578, M676, M678, M776, M778, M778-5, FUN-BLACK, MOON-BLACK, TURN-BLACK, FUN-G-B, FUN-G-P, FUN-GM-B, FUN-GM-P, FUN-N-B, FUN-N-P, FUN-RG-B, FUN-RG-P

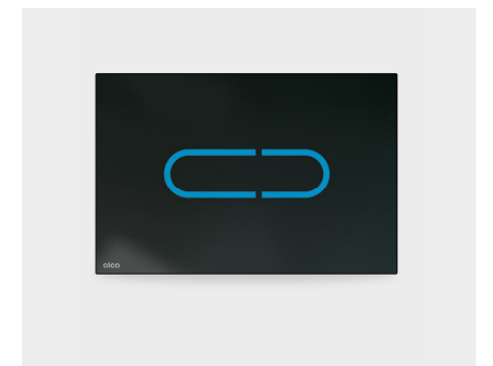


Flush plates and sensors



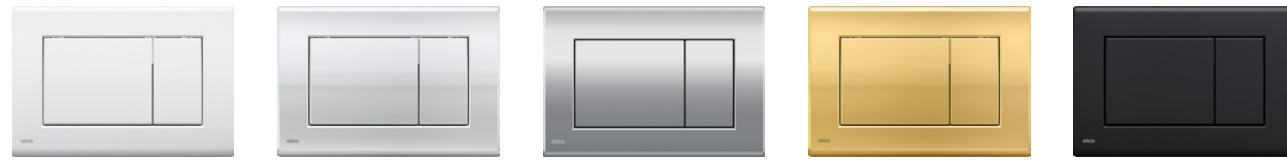
## Touch-free control

What will guarantee a zero percent transfer of bacteria? Touch-free control. With one elegant gesture, you solve everything, keeping your body protected from contact with bacteria.



Basic

Basic 2



M270 White-polished M271 Chrome-polished M272 Chrome-matt M275 Gold-polished M278 Black-matt <sup>2)</sup>

Basic 7



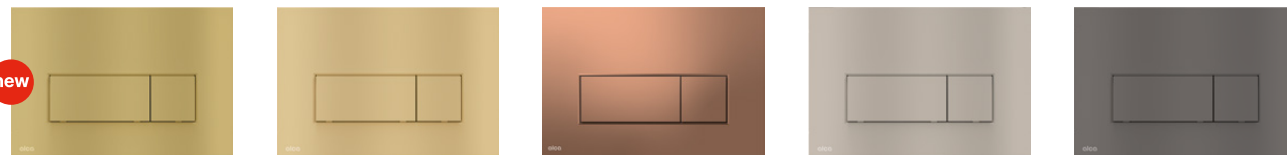
M70 White-polished M71 Chrome-polished M72 Chrome-matt M75 Gold-polished

Thin

THIN 5



M570 White-polished <sup>1)</sup> M576 White-matt <sup>1) 2)</sup> M571 Chrome-polished <sup>1)</sup> M572 Chrome-matt <sup>1)</sup> M575 Gold-polished <sup>1)</sup> M578 Black-matt <sup>1) 2)</sup>



**new** M57-BR-M BRASS-matt <sup>1)</sup> M57-G-M GOLD-matt <sup>1)</sup> M57-RG-M RED GOLD-matt <sup>1)</sup> M57-N-M NICKEL-matt <sup>1)</sup> M57-GM-M GUN METAL-matt <sup>1)</sup>

THIN 6



M670 White-polished <sup>1)</sup> M676 White-matt <sup>1) 2)</sup> M671 Chrome-polished <sup>1)</sup> M672 Chrome-matt <sup>1)</sup> M675 Gold-polished <sup>1)</sup> M678 Black-matt <sup>1) 2)</sup>

THIN 7



M770 White-polished/chrome-polished <sup>1)</sup> M776 White-matt/chrome-polished <sup>1) 2)</sup> M771 Chrome-polished/chrome-matt <sup>1)</sup> M772 Chrome-matt/chrome-polished <sup>1)</sup> M775 White-polished/gold-polished <sup>1)</sup> M778-5 Black-matt/gold-polished <sup>1) 2)</sup> M778 Black-matt/chrome-polished <sup>1) 2)</sup>

Linka



M1876 White-matt <sup>1) 2)</sup> M1876-1 White-matt/chrome-polished <sup>1) 2)</sup> M1878 Black-matt <sup>1) 2)</sup> M1878-7 Black-matt/gold-matt <sup>1) 2)</sup>

Dot.Dot.



M1976 White-matt <sup>1) 2)</sup> M1976-2 White-matt/chrome-matt <sup>1) 2)</sup> M1978 Black-matt <sup>1) 2)</sup> M1978-7 Black-matt/gold-matt <sup>1) 2)</sup>

Quantity (packing)	25 pcs
Quantity (pallet)	700 pcs
Material BASIC, THIN	plastic

Flat

Ray



RAY Alunox-matt <sup>1)</sup> RAY-GL1200 Glass-white <sup>1)</sup> RAY-GL1204 Glass-black <sup>1)</sup>

Moon



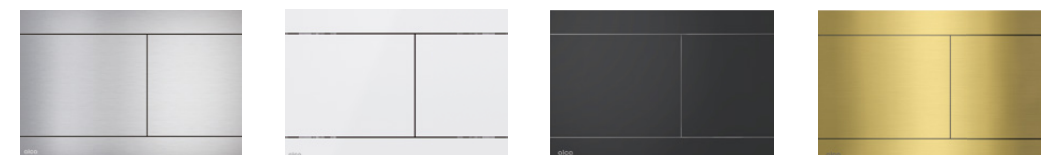
MOON Alunox-matt <sup>1)</sup> MOON-WHITE Inox-white polished <sup>1)</sup> MOON-BLACK Inox-black matt <sup>1) 2)</sup> MOON-BRASS Brass <sup>1)</sup>

Turn



TURN Alunox-matt <sup>1)</sup> TURN-INOX Inox-semi matt <sup>1)</sup> TURN-WHITE Inox-white polished <sup>1)</sup> TURN-BLACK Inox-black matt <sup>1) 2)</sup> TURN-BRASS Brass <sup>1)</sup>

Fun

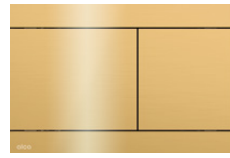


FUN Alunox-matt <sup>1)</sup> FUN-INOX Inox-semi matt <sup>1)</sup> FUN-WHITE Inox-white polished <sup>1)</sup> FUN-BLACK Inox-black matt <sup>1) 2)</sup> FUN-BRASS Brass <sup>1)</sup>

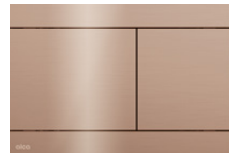
<sup>1)</sup> Flush plate with tilting mechanism  
<sup>2)</sup> Antibacterial coating



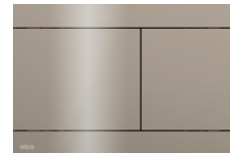
Fun Individual



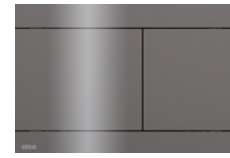
**FUN-G-P** GOLD-polished <sup>1) 2)</sup>



**FUN-RG-P** RED GOLD-polished <sup>1) 2)</sup>



**FUN-N-P** NICKEL-polished <sup>1) 2)</sup>



**FUN-GM-P** GUN METAL-polished <sup>1) 2)</sup>



**AIR** Alunox-matt <sup>1)</sup>  
**AIR-INOX** Inox-semi matt <sup>1)</sup>



**FUN-G-B** GOLD-brushed matt <sup>1) 2)</sup>



**FUN-RG-B** RED GOLD-brushed matt <sup>1) 2)</sup>



**FUN-N-B** NICKEL-brushed matt <sup>1) 2)</sup>



**FUN-GM-B** GUN METAL-brushed matt <sup>1) 2)</sup>



**AIR LIGHT** Alunox-matt

Quantity (packing)	10 pcs
Quantity (pallet)	280 pcs
Material ALUNOX	anodized aluminum, stainless steel
Material INOX	stainless steel

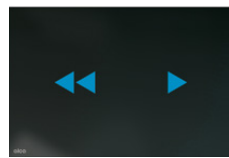
Material BRASS	brass
Material GLASS	stainless steel, glass
Material INDIVIDUAL	stainless steel with PVD finish
Material AIR	anodized aluminum

Special

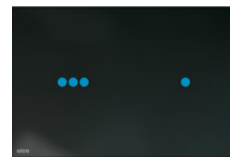
Night Light



**NIGHT LIGHT-1**  
Glass-black  
**NIGHT LIGHT-1-SLIM**  
Glass-black



**NIGHT LIGHT-2**  
Glass-black  
**NIGHT LIGHT-2-SLIM**  
Glass-black



**NIGHT LIGHT-3**  
Glass-black  
**NIGHT LIGHT-3-SLIM**  
Glass-black

Quantity (packing)	6 pcs
Quantity (pallet)	96 pcs
Material NIGHT LIGHT	glass

Antivandal



**M279** Metal

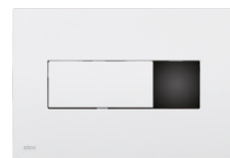


**M279S** Metal (AC power supply)

**M279SB** Metal (DC battery operated)

**M279S-SLIM**  
Metal (AC power supply)

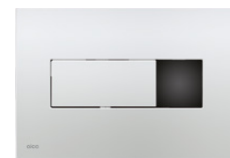
Sensor flush plates



**M370S** White (AC power supply)

**M370SB** White (DC battery operated)

**M370S-SLIM**  
White (AC power supply)



**M371S** Chrome-polished (AC power supply)

**M371SB** Chrome-polished (DC battery operated)

**M371S-SLIM**  
Chrome-polished (AC power supply)

Quantity (packing)	10 pcs
Quantity (pallet)	280 pcs
Material	stainless steel

Quantity (packing)	10 pcs
Quantity (pallet)	160 pcs
Material	plastic

<sup>1)</sup> Flush plate with tilting mechanism  
<sup>2)</sup> Antibacterial coating

Sensors

ASP3

Automatic WC flushing system, chrome, 12 V (AC power supply)

ASP3-B

Automatic WC flushing system, chrome, 6 V (DC battery operated)



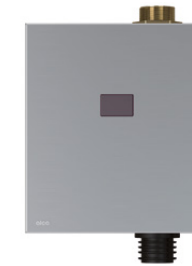
Quantity (packing)	12 pcs
Quantity (pallet)	192 pcs
Material	stainless steel, chrome-plated plastic

ASP3-K

Automatic WC flushing system, metal, 12 V (AC power supply)

ASP3-KB

Automatic WC flushing system, metal, 6 V (DC battery operated)



Quantity (packing)	12 pcs
Quantity (pallet)	192 pcs
Material	stainless steel

ASP3-KT

Automatic WC flushing system, metal, manual, 12 V (AC power supply)

ASP3-KBT

Automatic WC flushing system, metal, manual, 6 V (DC battery operated)



Quantity (packing)	12 pcs
Quantity (pallet)	192 pcs
Material	stainless steel

ASP4

Automatic flushing system for urinal, chrome, 12 V (AC power supply)

ASP4-B

Automatic flushing system for urinal, chrome, 6 V (DC battery operated)



Quantity (packing)	16 pcs
Quantity (pallet)	256 pcs
Material	stainless steel, chrome-plated plastic

ASP4-K

Automatic flushing system for urinal, metal, 12 V (AC power supply)

ASP4-KB

Automatic flushing system for urinal, metal, 6 V (DC battery supply)



Quantity (packing)	16 pcs
Quantity (pallet)	256 pcs
Material	stainless steel

ASP4-KT

Automatic flushing system for urinal, metal, manual, 12 V (AC power supply)



Quantity (packing)	16 pcs
Quantity (pallet)	256 pcs
Material	stainless steel

Remote flushing

MPO10

Remote pneumatic flush for hand operation, white, installation: into the wall



Quantity (packing)	10 pcs
Quantity (pallet)	160 pcs
Material	ABS, polypropylene

MPO11

Remote pneumatic flush for hand operation, chrome-polished, installation: into the wall



Quantity (packing)	10 pcs
Quantity (pallet)	160 pcs
Material	chrome-plated plastic

MPO12

Remote pneumatic flush for foot operation, metal, installation: into the floor



Quantity (packing)	10 pcs
Quantity (pallet)	160 pcs
Material	stainless steel, ABS, polypropylene

**MPO13**

Remote pneumatic flush for foot operation, metal, installation: onto the wall



Quantity (packing) 10 pcs  
 Quantity (pallet) 160 pcs  
 Material stainless steel, ABS, polypropylene

**P120**

Cover plate for pre-wall installation systems, alunox-matt



Quantity (packing) 25 pcs  
 Quantity (pallet) 700 pcs  
 Material anodized aluminum

**ATS001**

Button urinal flushing valve



Quantity (packing) 20 pcs  
 Quantity (pallet) 560 pcs  
 Material chrome-plated metal

**AEZ310**

Power supply 230 V AC/12 V DC/12 W, IP42



Quantity (packing) 1 pc  
 Quantity (pallet) - pcs

**AEZ320**

Power supply 230 V AC/12 V DC/18 W, IP67



Quantity (packing) 1 pc  
 Quantity (pallet) - pcs

**POWER SUPPLY UNITS OVERVIEW**

Code	Recommended power supply unit
<b>APZ5 Spa backlight</b>	
AEZ120	AEZ310, AEZ320
AEZ121	AEZ310, AEZ320
AEZ122	AEZ310, AEZ320
AEZ123	AEZ310, AEZ320
AEZ124	AEZ310, AEZ320
<b>Illumination of flush plate AIR LIGHT</b>	
AIR LIGHT	AEZ310
AIR LIGHT R	AEZ310
<b>Automatic flushing systems for WC and urinals</b>	
ASP3	AEZ310
ASP3-B	battery box 4× AA included in packaging
ASP3-K	AEZ310
ASP3-KB	battery box 4× AA included in packaging
ASP3-KBT	battery box 4× AA included in packaging
ASP3-KT	AEZ310
ASP4	AEZ310
ASP4-B	battery box 4× AA included in packaging
ASP4-K	AEZ310
ASP4-KB	battery box 4× AA included in packaging
ASP4-KT	AEZ310
ASP5-KB	battery box 4× AA included in packaging
<b>Sensory flush plates</b>	
M279S	AEZ310
M279SB	battery box 4× AA included in packaging
M370S	AEZ310
M370SB	battery box 4× AA included in packaging
M371S	AEZ310
M371SB	battery box 4× AA included in packaging
M372S	AEZ310
M279S-SLIM	AEZ310
M370S-SLIM	AEZ310
M371S-SLIM	AEZ310
<b>Touch-free flush plates</b>	
NIGHT LIGHT-1	power source unit included in packaging
NIGHT LIGHT-2	power source unit included in packaging
NIGHT LIGHT-3	power source unit included in packaging
NIGHT LIGHT-1-SLIM	power source unit included in packaging
NIGHT LIGHT-2-SLIM	power source unit included in packaging
NIGHT LIGHT-3-SLIM	power source unit included in packaging
<b>Accessories for pre-wall installation systems with ventilation</b>	
P128	power supply 230 V





# Valves and plastic WC cisterns

Fill valves	54
Flush valves	57
Plastic WC cisterns	58
Fill and flush kits	59
Valves and plastic WC cisterns – accessories	61

# Side fill valves

We have designed the fill valves primarily to be fast, exceptionally resistant to impurities contained in water and to perfectly withstand a wide range of pressures 0.05–1.6 MPa (0.5–16 bar) in various countries around the world.

**EASY MAINTENANCE AND FAST SERVICE**  
Cleaning the filter using **CLICK system** without a need of dismantling the tube

**EXTRA FAST FILLING**  
Twice as fast filling without the use of a water flow regulator

**MAXIMUM RELIABILITY**  
The new membrane works even within the water pressure fluctuations of **0.05–1.6 MPa (0.5–16 bar)**

**UNIVERSAL**  
Designed for plastic and ceramic **WC cisterns and pre-wall installation systems**

**ALWAYS THE SAME WATER LEVEL**  
Regardless of the water pressure in the pipes

**INCREASED DURABILITY AGAINST IMPURITIES**  
Secured by a **conical shape of the filter**

**SILENT FILLING**  
With a **regulator of the water flow**

**NO RECOIL**  
Thanks to the smooth closing of the valve

**LONGER LIFETIME**  
The fill valve is made of a material which is **more resistant against limescale**

## OVERVIEW OF SIDE FILL VALVES

6

Code	Water connection	Thread material	Application		
A150-1/2"	1/2"	plastic	ceramic cisterns		
A150-3/8"	3/8"	plastic	ceramic cisterns		
A150P-1/2"	1/2"	plastic		plastic WC cisterns	
A150P-3/8"	3/8"	plastic		plastic WC cisterns	
A160-1/2"	1/2"	metal	ceramic cisterns		
A160-3/8"	3/8"	metal	ceramic cisterns		
A160P-3/8"	3/8"	metal		plastic WC cisterns	WC systems
A150UNI	1/2", 3/8"	plastic	ceramic cisterns	plastic WC cisterns	WC systems
A160UNI	1/2", 3/8"	metal	ceramic cisterns	plastic WC cisterns	WC systems

### ONE PRODUCT FOR ALL OPTIONS 7 thread variants + 2 universal packages

**A150 1/2"**      **A160 1/2"**  
**A150 3/8"**      **A160 3/8"**  
**A150P 1/2"**      **A160P 3/8"**  
**A150P 3/8"**

**A150UNI**      **A160UNI**  
 2in1      2in1

**A150-1/2"**  
Side inlet fill valve for ceramic WC cisterns



Quantity (packing)	70 pcs
Quantity (pallet)	1120 pcs
Material	POM

**A150-3/8"**  
Side inlet fill valve for ceramic WC cisterns



Quantity (packing)	70 pcs
Quantity (pallet)	1120 pcs
Material	POM

**A150P-1/2"**  
Side inlet fill valve for plastic WC cisterns



Quantity (packing)	70 pcs
Quantity (pallet)	1120 pcs
Material	POM

**A17-1/2"**  
Bottom inlet fill valve



Quantity (packing)	50 pcs
Quantity (pallet)	800 pcs
Material	ABS

**A17-3/8"**  
Bottom inlet fill valve



Quantity (packing)	50 pcs
Quantity (pallet)	800 pcs
Material	ABS

**A18-1/2"**  
Bottom inlet fill valve metal thread



Quantity (packing)	50 pcs
Quantity (pallet)	800 pcs
Material	ABS

**A150P-3/8"**  
Side inlet fill valve for plastic WC cisterns



Quantity (packing)	70 pcs
Quantity (pallet)	1120 pcs
Material	POM

**A160-1/2"**  
Side inlet fill valve metal thread for ceramic WC cisterns



Quantity (packing)	70 pcs
Quantity (pallet)	1120 pcs
Material	POM

**A160-3/8"**  
Side inlet fill valve metal thread for ceramic WC cisterns



Quantity (packing)	70 pcs
Quantity (pallet)	1120 pcs
Material	POM

**A18-3/8"**  
Bottom inlet fill valve metal thread



Quantity (packing)	50 pcs
Quantity (pallet)	800 pcs
Material	ABS

**A2000-CHROM**  
Flush valve with STOP button



Quantity (packing)	25 pcs
Quantity (pallet)	400 pcs
Material	ABS

**A05-CHROM**  
Flush valve with raised STOP button



Quantity (packing)	25 pcs
Quantity (pallet)	400 pcs
Material	ABS

**A160P-3/8"**  
Side inlet fill valve metal thread for plastic WC cisterns



Quantity (packing)	70 pcs
Quantity (pallet)	1120 pcs
Material	POM

**A150UNI**  
Side inlet fill valve, universal



Quantity (packing)	70 pcs
Quantity (pallet)	1120 pcs
Material	POM

**A160UNI**  
Side inlet fill valve metal thread, universal



Quantity (packing)	36 pcs
Quantity (pallet)	576 pcs
Material	POM

**A08A**  
Flush valve with DUAL control button



Quantity (packing)	16 pcs
Quantity (pallet)	256 pcs
Material	ABS

**A02**  
Flush valve for low level cistern



Quantity (packing)	25 pcs
Quantity (pallet)	400 pcs
Material	ABS

**A03**  
Flush valve for high level cistern



Quantity (packing)	25 pcs
Quantity (pallet)	400 pcs
Material	ABS



**A03A**  
Flush valve for high level cistern



Quantity (packing) 35 pcs  
Quantity (pallet) 560 pcs  
Material ABS

**A06**  
Flush valve for pre-wall installation systems



Quantity (packing) 25 pcs  
Quantity (pallet) 400 pcs  
Material ABS

**A06E**  
Flush valve Ecology for pre-wall installation systems



Quantity (packing) 25 pcs  
Quantity (pallet) 400 pcs  
Material ABS

**A06-850**  
Flush valve for reduced pre-wall installation systems with 850 mm height



Quantity (packing) 25 pcs  
Quantity (pallet) 400 pcs  
Material ABS

**A07**  
Flush valve for cistern A93



Quantity (packing) 25 pcs  
Quantity (pallet) 400 pcs  
Material ABS

**A09B**  
Flush valve for Slimmodul



Quantity (packing) 50 pcs  
Quantity (pallet) 800 pcs  
Material ABS

**A93-1/2"**  
Universal WC cistern ALCA UNI DUAL

**A93-3/8"**  
Universal WC cistern ALCA UNI DUAL



Quantity (packing) 1 pc  
Quantity (pallet) 58 pcs

**A94-1/2"**  
Universal WC cistern ALCA UNI START/STOP

**A94-3/8"**  
Universal WC cistern ALCA UNI START/STOP



Quantity (packing) 1 pc  
Quantity (pallet) 58 pcs

**A930-H-1/2"**  
Toilet cistern UNI DUAL universal, white

**A930-H-3/8"**  
Toilet cistern UNI DUAL universal, white



Quantity (packing) 1 pc  
Quantity (pallet) 58 pcs

**A930-M-1/2"**  
Low level toilet cistern DUAL, white

**A930-M-3/8"**  
Low level toilet cistern DUAL, white



Quantity (packing) 1 pc  
Quantity (pallet) 58 pcs

**A940-H-1/2"**  
Toilet cistern UNI START-STOP universal, white

**A940-H-3/8"**  
Toilet cistern UNI START-STOP universal, white



Quantity (packing) 1 pc  
Quantity (pallet) 58 pcs

**A940-M-1/2"**  
Low level toilet cistern START-STOP, white

**A940-M-3/8"**  
Low level toilet cistern START-STOP, white



Quantity (packing) 1 pc  
Quantity (pallet) 58 pcs

**A95**  
Flush pipe DN32 in two parts + wrapping seal



Quantity (packing) 1 pc  
Quantity (pallet) - pcs

**A950**  
Flush pipe set DN35



Quantity (packing) 1 pc  
Quantity (pallet) - pcs

**A951-230**  
Flush pipe - elbow DN44/50



Quantity (packing) 1 pc  
Quantity (pallet) - pcs

**A951-390**  
Flush pipe - elbow DN44/50



Quantity (packing) 1 pc  
Quantity (pallet) - pcs

**Z0026-ND**  
Wrapping seal 60/32



Quantity (packing) 1 pcs  
Quantity (pallet) -  
Material rubber

**SA2000 1/2" CHROM**

Fill and flush kit with STOP button  
Package content: A150-1/2", A2000, blind plug, screws, gaskets



Quantity (packing) 20 pcs  
Quantity (pallet) 320 pcs

**SA2000 3/8" CHROM**

Fill and flush kit with STOP button  
Package content: A150-3/8", A2000, blind plug, screws, gaskets



Quantity (packing) 20 pcs  
Quantity (pallet) 320 pcs

**SA2000K 1/2" CHROM**

Fill and flush kit with STOP button  
Package content: A160-1/2", A2000, blind plug, screws, gaskets



Quantity (packing) 20 pcs  
Quantity (pallet) 320 pcs

**SA08A 3/8" CHROM**

Fill and flush kit with DUAL control button  
Package content: A150-3/8", A08A, blind plug, screws, gaskets



Quantity (packing) 16 pcs  
Quantity (pallet) 256 pcs

**SA08AK 1/2" CHROM**

Fill and flush kit with DUAL control button  
Package content: A160-1/2", A08A, blind plug, screws, gaskets



Quantity (packing) 16 pcs  
Quantity (pallet) 256 pcs

**SA08AK 3/8" CHROM**

Fill and flush kit with DUAL control button  
Package content: A160-3/8", A08A, blind plug, screws, gaskets



Quantity (packing) 16 pcs  
Quantity (pallet) 256 pcs

**SA2000K 3/8" CHROM**

Fill and flush kit with STOP button  
Package content: A160-3/8", A2000, blind plug, screws, gaskets



Quantity (packing) 20 pcs  
Quantity (pallet) 320 pcs

**SA2000S 1/2" CHROM**

Fill and flush kit with STOP button  
Package content: A17-1/2", A2000, screws, gaskets



Quantity (packing) 20 pcs  
Quantity (pallet) 320 pcs

**SA2000S 3/8" CHROM**

Fill and flush kit with STOP button  
Package content: A17-3/8", A2000, screws, gaskets



Quantity (packing) 20 pcs  
Quantity (pallet) 320 pcs

**SA08AS 1/2" CHROM**

Fill and flush kit with DUAL control button  
Package content: A17-1/2", A08A, screws, gaskets



Quantity (packing) 16 pcs  
Quantity (pallet) 256 pcs

**SA08AS 3/8" CHROM**

Fill and flush kit with DUAL control button  
Package content: A17-3/8", A08A, screws, gaskets



Quantity (packing) 16 pcs  
Quantity (pallet) 256 pcs

**SA08ASK 1/2" CHROM**

Fill and flush kit with DUAL control button  
Package content: A18-1/2", A08A, screws, gaskets



Quantity (packing) 16 pcs  
Quantity (pallet) 256 pcs

**SA2000SK 1/2" CHROM**

Fill and flush kit with STOP button  
Package content: A18-1/2", A2000, screws, gaskets



Quantity (packing) 20 pcs  
Quantity (pallet) 320 pcs

**SA2000SK 3/8" CHROM**

Fill and flush kit with STOP button  
Package content: A18-3/8", A2000, screws, gaskets



Quantity (packing) 20 pcs  
Quantity (pallet) 320 pcs

**SA08A 1/2" CHROM**

Fill and flush kit with DUAL control button  
Package content: A150-1/2", A08A, blind plug, screws, gaskets



Quantity (packing) 16 pcs  
Quantity (pallet) 256 pcs

**SA08ASK 3/8" CHROM**

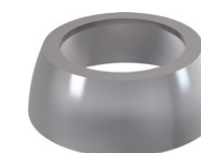
Fill and flush kit with DUAL control button  
Package content: A18-3/8", A08A, screws, gaskets



Quantity (packing) 16 pcs  
Quantity (pallet) 256 pcs

**V0018-ND**

Button cover (A2000)



Quantity (packing) 1 pcs  
Quantity (pallet) - pcs

**P0014-ND**

Button complete set chrome (A05)



Quantity (packing) 1 pcs  
Quantity (pallet) - pcs

**V0011-ND**  
Button complete set chrome (A2000)



Quantity (packing) 1 pcs  
Quantity (pallet) - pcs

**V0296-ND**  
Button complete set chrome (A08A)



Quantity (packing) 1 pcs  
Quantity (pallet) - pcs

**V0015-ND**  
Seal 64×30×2



Quantity (packing) 1 pcs  
Quantity (pallet) - pcs

**N0020-ND**  
End cap chrome



Quantity (packing) 1 pcs  
Quantity (pallet) - pcs



# WC seats

WC seats Antibacterial	72
WC seats Basic Antibacterial	72
WC seats Duroplast	72
WC seats Softclose	73
WC seats Slim	74
WC seats – hinges	75



## WC seats



### SOFTCLOSE system – Slow closing WC seat cover

The SOFTCLOSE system is characterised by its slow seat closing action. The mechanism within the hinges of the WC seat ensure a smooth and quiet closure onto the ceramics. A big advantage of this system is to protect the WC pan from damage caused by accidental dropping of the seat. It also ensures greater safety and comfort for the user when handling the seat. It is particularly suitable for public areas and for families with children.



### Antibacterial

The majority of Alca toilet seats have antibacterial properties. The Antibacterial properties are achieved by the Silver compounds within the material. Testing has proven that the bacterial density on the WC seat surface is reduced.

### Duroplast

Toilet seats made of high-quality Duroplast material will satisfy even the most demanding Customers. Duroplast material greatly reduces discomfort of sitting on a cold surface of a WC seat.



### CLICK system for easy cleaning

CLICK system on WC seat hinges allows for easier and faster cleaning of the WC pan and seat itself. The seat is released from the pan by pressing the two buttons on the inner side of the seat hinges, allowing it to be lifted clear for cleaning. The seat is easily and quickly returned to its original position by pressing it back onto the hinges.



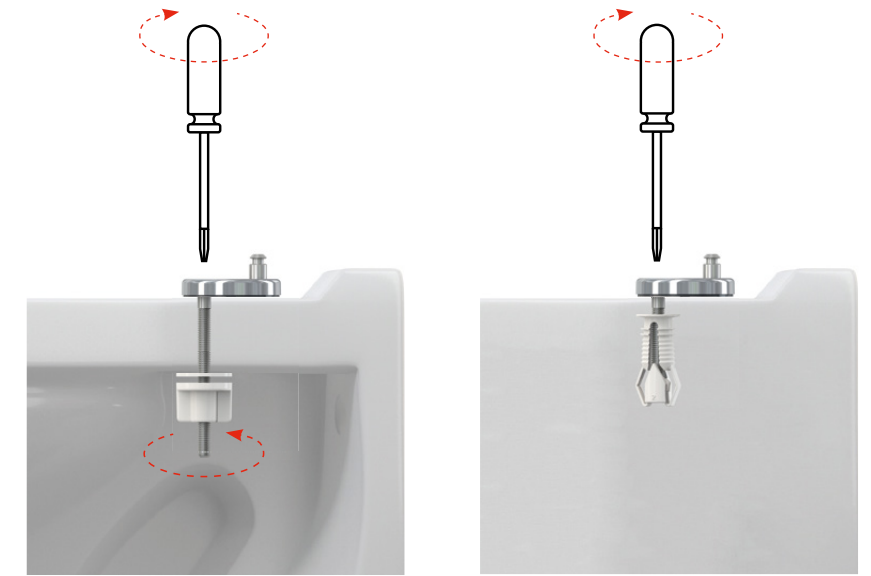
### Setting of hinges for perfect compatibility

Easy mounting of Alca seats onto the WC pan is guaranteed thanks to the large range of possible adjustment of the seat hinges. This together with the shape of the WC seats enable them to be fitted to many types of ceramics. The hinges are made of stainless steel and are white powder paint coated to blend them into the ceramic surface, this also ensures long life and durability.



### Comfortable top mounting

For Duroplast seats with CLICK system we offer an alternative to the classic bottom mounting hinges. Designed for toilet bowls with limited access the hinge system can be mounted and tightened from the top surface only, eliminating the need to gain access from below.



### The integrated seat insert with magnetic holder

Duroplast seats A603 and A606 are equipped with a fully integrated infant potty seat insert. It is attached to the hinge pins and can be easily removed. The insert is made of lightweight polypropylene material so that a child can safely and simply manipulate the seat. When not use the potty seat insert is retained magnetically by the seat cover allowing normal adult use.



### WC Seats with print

We also offer WC seats with color printing with three themes – flower, shell and zen.



## A60 – COMPATIBILITY CHART

Manufacturer	Type	Type
ALCADRAIN	Alca, Rimflow, Grand (C)	
CERSANIT	President (C), Terra, Moduo	Solari (C)
DEK		Wecco (C)
IDEAL STANDARD	Eurovit (Ecco) (C), Eurovit (Ecco), Simplicity, Simplicity (C), Vidima SevaMix (C), Ulysse 2 (C)	
JIKA	Mio, Lyra (C), Lyra Plus (C), Dino, Easy / Olymp, Olymp (C), Zeta (C), Zeta Plus (C), Roman (C), Lukas, Norma (C), Euroline (C), Deep New Handicap	
KOLO	Style, Nova top, Napoli (C), Rekord (C), Rekord	Primo, Piano (C)
SANITEC / KERAMAG		Renova Nr. 1
VITRA	Concept 100 (Ptáček), SeaBay (C), Pera	
VILLEROY & BOCH	Omnia, Omnia Pro, Omnia Compact	

## A3553 – COMPATIBILITY CHART

Manufacturer	Type	Type
ALCADRAIN		Alca
CERSANIT	Kompakt 393, Kompakt Kaskada	Delfi
IDEAL STANDARD	Vidima SevaMix (C), Ulysse 2 (C)	Simplicity, Simplicity (C), Eurovit (C), Eurovit
JIKA	Dino Rimless	Lyra Plus, Tigo, Tigo (C), Zeta
KOLO		Piano (C), Piano
PTÁČEK		Easy, Concept
RICHTER + FRENZEL	Optiline Europa	
WINKIEL		Lecico (C)

## A6550 – COMPATIBILITY CHART

Manufacturer	Type	Type
ALCADRAIN		Alca, Grand (C)
CERSANIT	Kompakt 393, Kompakt Kaskada	Delfi, Iryda (C), Korai (C), WC Kompakt President (C)
GUSTAVSBERG		Saval
IDEAL STANDARD	Vidima SevaMix (C), Ulysse 2 (C)	Simplicity, Simplicity (C), Eurovit (C), Eurovit
JIKA	Dino Rimless	Lyra Plus, Tigo, Tigo (C), Zeta, Dino, Mio, Lukas, Rigo, Norma, Pluto, Neo (C), Roman
KOLO		Piano (C), Piano, Primo, Idol Simple, Nova Rimfree
LECICO		Lecico (C)
PTÁČEK		Easy, Concept
RICHTER + FRENZEL	Optiline Europa	
TRIKER		EP 63 (C)

## A6551 – COMPATIBILITY CHART

Manufacturer	Type	Type
ALCADRAIN	Grand (C)	
JIKA	Lyra Plus (C), Lyra (C), Euroline (C)	
MITO	Kompakt 373	
PTÁČEK	Easy (C), Concept (C)	

## A601 – COMPATIBILITY CHART

Manufacturer	Type	Type
ALCADRAIN	Alca, Rimflow	
CERSANIT	Terra, President (C), Moduo	Delfi
DEK	Wecco (C)	
FAYANS	Neo	
GUSTAVSBERG	Saval	Nautic
IDEAL STANDARD	Eurovit, Simplicity (C), Simplicity	Eurovit (C), Ulysse 2 (C), Vidima SevaMix
JIKA	Easy / Olymp, Zeta Plus (C), Roman (C)	Tigo, Olymp, Deep New Handicap
KERAMAG		Renova
KERAMIN	Omega (C)	
KOLO	Rekord (C)	Primo, Rekord / Krainer
SANINDUSA	Cetus	

✓✓ = WC seat fully compatible with toilet bowl

✓ = WC seat compatible with toilet bowl but not perfect fit

(C) = combi WC

(T) = top installation

indicative list

## A602, A603 – COMPATIBILITY CHART

Manufacturer	Type	Type
ALCADRAIN	Alca, Rimflow	
ALFÖLDI	Saval, Bázis, Solinár	
CERSANIT	Terra, Lotos, Classic, Ellada, Eko-2000, Korai, Atlantic, Solari, Family, Meteor, Trento, Relax, Moduo	Iryda, Olimpia, Prezident, Roma, Merida, Delfi
DEK	Wecco (C)	
DOLOMITE	Garda	
FAYANS	Neo	
GALASSIA		Eden (T)
GUSTAVSBERG	Saval, Nautic	
IDEAL STANDARD	Eurovit, Simplicity (C), Simplicity, Storm, Seva M, Seva Mega	Eurovit (C), SevaMix
JIKA	Easy / Olymp, Dino, Roma, Lyra, Norma	Easy / Zeta (C), Tigo, Deep New Handicap
KERAMAG		Renova Nr.1
KERAMIN	Omega (C)	
KERASAN	Godia	
KOLO	Rekord, Idol, Impuls, Primo	Nova Top, Rekord / Krainer
MONDIAL	4031	
MULTI	Eur	
ROCA	Zoom	
ROSA	Elegans, Komfort, Evro, Premier, Ressa	
SAMARSKJI STROJFARFOR	Sanata	
SANINDUSA	Cetus	
SANTEK	Boreal, Briz	
SANTERI		Vita, Sonata
VILLEROY BOCH		O.novo
VITRA	Saval	

## A604, A606 – COMPATIBILITY CHART

Manufacturer	Type	Type
ALCADRAIN	Alca, Rimflow	
ALFÖLDI	Saval, Bázis, Solinár	
CERSANIT	Terra, Lotos, Classic, Ellada, Eko-2000, Korai, Atlantic, Solari, Family, Meteor, Trento, Relax, Moduo	Iryda, Olimpia, Prezident, Roma, Merida, Delfi
DEK	Wecco (C)	
DOLOMITE	Garda	
FAYANS	Neo	
GALASSIA		Eden (T)
GUSTAVSBERG	Saval, Nautic	
IDEAL STANDARD	Eurovit, Simplicity (C), Simplicity, Storm, Seva M, Seva Mega	Eurovit (C), SevaMix
JIKA	Easy / Olymp, Dino, Roma, Lyra, Norma	Easy / Zeta (C), Tigo, Deep New Handicap
KERAMAG		Renova Nr.1
KERAMIN	Omega (C)	
KERASAN	Godia	
KOLO	Rekord, Idol, Impuls, Primo	Nova Top, Rekord / Krainer
MONDIAL	4031	
MULTI	Eur	
ROCA	Zoom	
ROSA	Elegans, Komfort, Evro, Premier, Ressa	
SAMARSKJI STROJFARFOR	Sanata	
SANINDUSA	Cetus	
SANTEK	Boreal, Briz	
SANTERI		Vita, Sonata
VILLEROY BOCH		O.novo
VITRA	Saval	Normus

✓✓ = WC seat fully compatible with toilet bowl

✓ = WC seat compatible with toilet bowl but not perfect fit

(C) = combi WC

(T) = top installation

indicative list



## A66 – COMPATIBILITY CHART

Manufacturer	Type	Type
ALCADRAIN	Rimflow	
CERSANIT	President, Merida, Terra, Larga Oval (C)(T),	City Oval (T)
DOLOMITE	Clodia	
GALASSIA	Dream (T)	
GLACERA	Montanaro, Base	
HORNBACH		Dalea, Luna
IDEAL STANDARD	Eurovit (Ecco)	Vidima SevaMix (C)
JIKA	Mio, Dino, Easy / Olymp, Cubito, Zeta, Tigo	Zeta Plus (C), Dino Rimless
KERAMAG		Renova
KERASAN	Flo	
LAUFEN	Pro, Form	Lua (T)
RICHTER + FRENZEL	Optiset Optiline	
ROCA		Ona (T)
SAT		Infinitio (T)
VILLEROY & BOCH	Omnia, Omnia Architectura	
VITRA	S50-52 cm, Sento (T)	Integra (C)(T)

## A67 – COMPATIBILITY CHART

Manufacturer	Type	Type
ALCADRAIN		Rimflow
CERSANIT	President, Merida, Terra	
DOLOMITE	Clodia	
GALASSIA	Dream (T)	
GLACERA	Montanaro, Base	
HORNBACH		Dalea, Luna
IDEAL STANDARD	Eurovit (Ecco)	Vidima SevaMix (C)
JIKA	Mio, Dino, Easy / Olymp, Cubito, Zeta, Lyra Plus, Tigo	Zeta Plus (C), Dino Rimless
KERAMAG		Renova
KERASAN	Flo	
LAUFEN	Pro, Form	Lua (T)
RAVAK	Chrome RimOff	
RICHTER + FRENZEL	Optiset Optiline	
VILLEROY & BOCH	Omnia, Omnia Architectura	
VITRA	S50-52 cm	

## A67SLIM – COMPATIBILITY CHART

Manufacturer	Type	Type
ALCADRAIN	Rimflow	
CERSANIT	President, Merida, Terra, Iryda (C), Larga Oval (C)(T)	Olimpia, Olimpia (C), Iryda
DOLOMITE	Clodia	
GLACERA	Montanaro, Base	
HORNBACH		Dalea, Luna
IDEAL STANDARD		Vidima SevaMix (C)
JIKA	Mio, Dino, Easy / Olymp, Cubito, Zeta, Dino Rimless, Lyra Plus, Tigo, Deep New Handicap	
JUNGBORN	Elena (C), Dalea, Melissa	
KERAMAG	Renova Nr. 1, Renova	
KERASAN	Flo	
LAUFEN		Lua (T)
KOLO	Style, Impuls	Quatro
RAVAK	Uni Chrome RimOff, Uni Chrome Rim	
VILLEROY & BOCH	Subway, Omnia Architectura	
VITRA	S50-52 cm	

✓✓ = WC seat fully compatible with toilet bowl  
✓ = WC seat compatible with toilet bowl but not perfect fit  
(C) = combi WC  
(T) = top installation

## A64SLIM – COMPATIBILITY CHART

Manufacturer	Type	Type
ALCADRAIN	Alca	Rimflow
ALFÖLDI	Saval	Bázis
CERSANIT	President (C), Terra, Family, Solari, Classic, Iryda (C), Moduo	Olimpia, Olimpia (C), Iryda
DOLOMITE	Garda	
FAYANS	Neo	
GUSTAVSBERG	Saval, Nautic	
IDEAL STANDARD	Eurovit (Ecco)(C), Simplicity (C), Vidima Storm	Vidima SevaMix (C), Ulysse 2 (C), Vidima SevaM (C), Simplicity
JIKA	Lyra, Dino, Easy / Olymp, Zeta, Roman	Norma
KERAMAG		Renova Nr. 1
KERASAN	Godia	
KOLO	Nova Top, Delta, Impuls, Rekord, Idol (C)	Rekord (C), Piano (C), Primo
SANINDUSA	Cetus	
SANTEK	Boreal, Briz	
SANTERI		Vita, Sonata
VILLEROY & BOCH	Omnia, Omnia Pro, Omnia Compact	
VITRA	Pera, SeaBay (C)	Normus

## A674S – COMPATIBILITY CHART

Manufacturer	Type	Type
ALCADRAIN		Rimflow
CERSANIT	Iryda, Iryda (C), Larga Oval (C)(T), Crea Oval (T), Mille	Delfi, Olimpia, Olimpia (C), Parva, Parva (C), City Oval (T)
FORM	Novalis	Corto
GUSTAVSBERG		Nautic
HORNBACH		Melissa, Luna
IDEAL STANDARD		Simplicity
JIKA	Dino Rimless, Easy, Lyra Plus, Mio, Mio (C), Tigo, Tigo (C)	
LAUFEN	Laufen Pro	
PTÁČEK		Concept 100
RAVAK	Uni Chrome RimOff, Uni Chrome Rim	
RICHTER + FRENZEL		Optiline Europa
ROCA		Ona (T)
SANITEC - KERAMAG - KOLO	Icon, Primo	Renova Nr. 1
SAT		Infinitio (T)
VILLEROY & BOCH	Verity, Subway 2.0 (compact), O.novo	
VITRA	Concept 500, Sento (T)	Integra (C)(T)

## A678S – COMPATIBILITY CHART

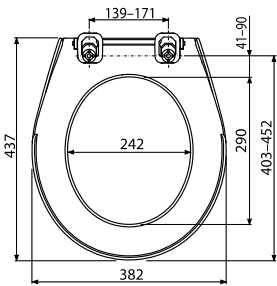
Manufacturer	Type	Type
ALCADRAIN	WC Alca MEDIC	

✓✓ = WC seat fully compatible with toilet bowl  
✓ = WC seat compatible with toilet bowl but not perfect fit  
(C) = combi WC  
(T) = top installation

## HINGES – COMPATIBILITY CHART

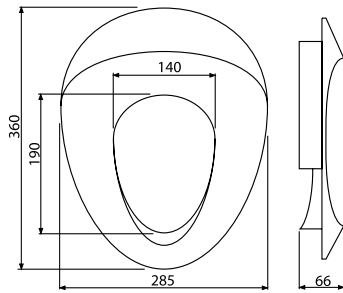
Hinges	Type
P0009-ND	A60
P096	A601, A601 BAHAMA, A601 PERGAMON, A601 PISTACHIO
P105	A602, A603, A604, A604 FLOWER, A604 SHELL, A604 ZEN, A604 BAHAMA, A604 PERGAMON, A604 PISTACHIO, A606, A674S
P105B	A602, A603, A604, A604 FLOWER, A604 SHELL, A604 ZEN, A604 BAHAMA, A604 PERGAMON, A604 PISTACHIO, A606, A674S
P106	A602, A603, A604, A604 FLOWER, A604 SHELL, A604 ZEN, A604 BAHAMA, A604 PERGAMON, A604 PISTACHIO, A606, A674S
P106B	A602, A603, A604, A604 FLOWER, A604 SHELL, A604 ZEN, A604 BAHAMA, A604 PERGAMON, A604 PISTACHIO, A606, A674S
P113	A602, A603, A604, A604 FLOWER, A604 SHELL, A604 ZEN, A604 BAHAMA, A604 PERGAMON, A604 PISTACHIO, A606, A674S, A67SLIM
Z0137B-ND	A64, A65, A66, A67
Z0952-ND	A64SLIM, A67SLIM
P157	A678S
P170	A6550, A6551
P179	A64, A66, A67

**A60 Antibacterial**  
WC seat Antibacterial



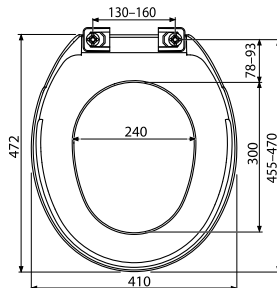
Quantity (packing)	13 pcs
Quantity (pallet)	208 pcs
Hinges	P0009-ND
Material	polypropylene with antibacterial properties

**A68**  
Potty training WC seat



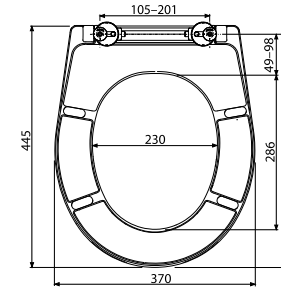
Quantity (packing)	6 pcs
Quantity (pallet)	216 pcs
Hinges	-
Material	polypropylene

**A6550**  
WC seat Basic Antibacterial



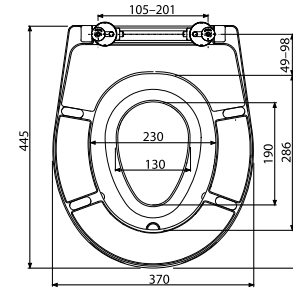
Quantity (packing)	15 pcs
Quantity (pallet)	270 pcs
Hinges	P170
Material	polypropylene with antibacterial properties

**A602**  
WC seat universal, Duroplast



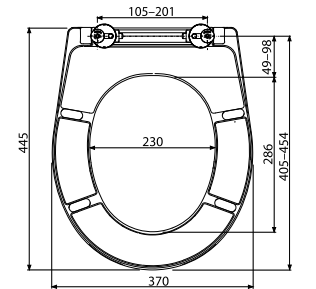
Quantity (packing)	5 pcs
Quantity (pallet)	120 pcs
Hinges	P106B
Material	Duroplast with antibacterial properties

**A603**  
WC seat universal with integrated insert, Duroplast



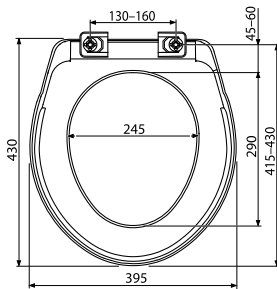
Quantity (packing)	5 pcs
Quantity (pallet)	120 pcs
Hinges	P106B
Material	Duroplast with antibacterial properties
WC seat insert material	polypropylene with antibacterial properties

**A604**  
WC seat universal SOFTCLOSE, Duroplast



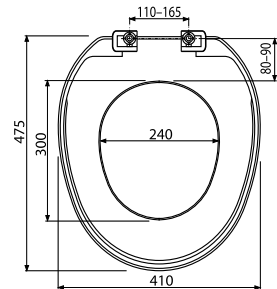
Quantity (packing)	5 pcs
Quantity (pallet)	120 pcs
Hinges	P106B
Material	Duroplast with antibacterial properties

**A6551**  
WC seat Basic Antibacterial



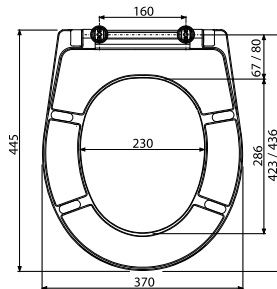
Quantity (packing)	15 pcs
Quantity (pallet)	270 pcs
Hinges	P170
Material	polypropylene with antibacterial properties

**A3553**  
WC seat



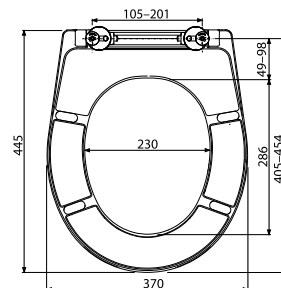
Quantity (packing)	21 pcs
Quantity (pallet)	336 pcs
Hinges	-
Material	polypropylene

**A601**  
WC seat Duroplast



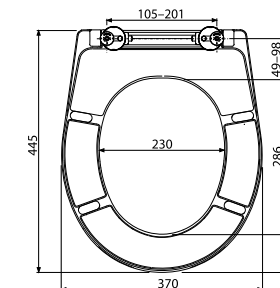
Quantity (packing)	5 pcs
Quantity (pallet)	120 pcs
Hinges	P096
Material	Duroplast with antibacterial properties

**A604 FLOWER**  
WC seat universal SOFTCLOSE, Duroplast



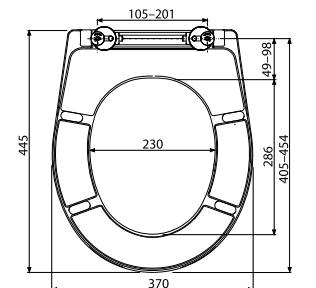
Quantity (packing)	5 pcs
Quantity (pallet)	120 pcs
Hinges	P106B
Material	Duroplast with antibacterial properties

**A604 SHELL**  
WC seat universal SOFTCLOSE, Duroplast



Quantity (packing)	5 pcs
Quantity (pallet)	120 pcs
Hinges	P106B
Material	Duroplast with antibacterial properties

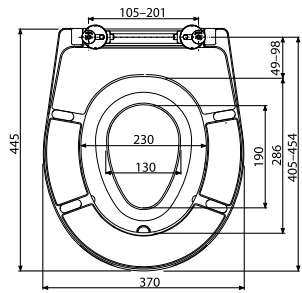
**A604 ZEN**  
WC seat universal SOFTCLOSE, Duroplast



Quantity (packing)	5 pcs
Quantity (pallet)	120 pcs
Hinges	P106B
Material	Duroplast with antibacterial properties

**A606**

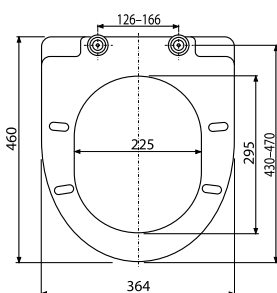
WC seat universal SOFTCLOSE with integrated insert, Duroplast



Quantity (packing)	5 pcs
Quantity (pallet)	120 pcs
Hinges	P106B
Material	Duroplast with antibacterial properties

**A66**

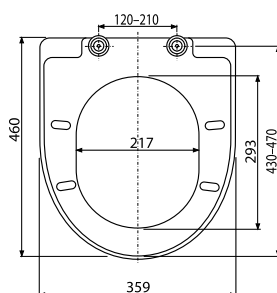
WC seat SOFTCLOSE, Duroplast



Quantity (packing)	5 pcs
Quantity (pallet)	80 pcs
Hinges	Z0137B-ND
Material	Duroplast with antibacterial properties

**A67**

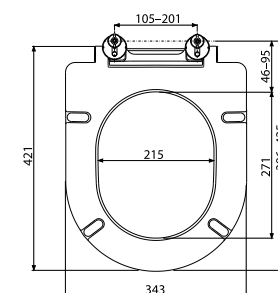
WC seat SOFTCLOSE, Duroplast



Quantity (packing)	5 pcs
Quantity (pallet)	80 pcs
Hinges	Z0137B-ND
Material	Duroplast with antibacterial properties

**A678S**

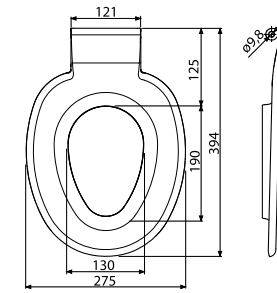
WC seat Duroplast



Quantity (packing)	5 pcs
Quantity (pallet)	120 pcs
Hinges	P157
Material	Duroplast with antibacterial properties

**P102**

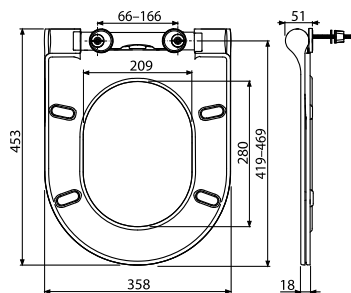
WC seat – integrated insert



Quantity (packing)	20 pcs
Quantity (pallet)	320 pcs
Hinges	-
Material	polypropylene with antibacterial properties

**A67SLIM**

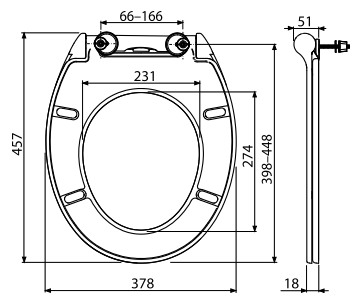
WC seat SLIM SOFTCLOSE, Duroplast



Quantity (packing)	5 pcs
Quantity (pallet)	80 pcs
Hinges	Z0952-ND
Material	Duroplast with antibacterial properties

**A64SLIM**

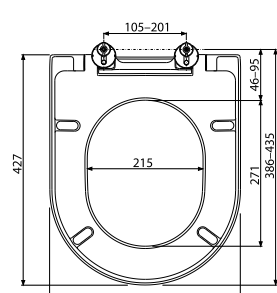
WC seat SLIM SOFTCLOSE, Duroplast



Quantity (packing)	5 pcs
Quantity (pallet)	80 pcs
Hinges	Z0952-ND
Material	Duroplast with antibacterial properties

**A674S**

WC seat SOFTCLOSE, Duroplast



Quantity (packing)	5 pcs
Quantity (pallet)	120 pcs
Hinges	P106B
Material	Duroplast with antibacterial properties



**P0009-ND**  
Hinges for A60



Quantity (packing) 1 pcs  
Quantity (pallet) -

**P096**  
Hinges for A601



Quantity (packing) 1 pcs  
Quantity (pallet) -

**P106**  
Hinges for bottom installation, stainless steel cover



Quantity (packing) 1 pcs  
Quantity (pallet) -

**P113**  
Dowel for top installation of WC seats



Quantity (packing) 1 pcs  
Quantity (pallet) -

**P157**  
Hinges for A678S



Quantity (packing) 1 pcs  
Quantity (pallet) -

**P170**  
Hinges for A6550, A6551



Quantity (packing) 1 pcs  
Quantity (pallet) -

**P106B**  
Hinges for bottom installation, white cover



Quantity (packing) 1 pcs  
Quantity (pallet) -

**P105**  
Hinges with top installation, stainless steel cover



Quantity (packing) 1 pcs  
Quantity (pallet) -

**P105B**  
Hinges for top installation, white cover



Quantity (packing) 1 pcs  
Quantity (pallet) -

**Z1272-ND**  
Hinges for A64SLIM, A67SLIM for top installation

new



Quantity (packing) 50 pcs  
Quantity (pallet) -

**Z0137B-ND**  
Hinges for A66, A67 (until 2014)



Quantity (packing) 1 pcs  
Quantity (pallet) -

**P179**  
Hinges for A64, A66, A67, pin 6 mm (since 2015)



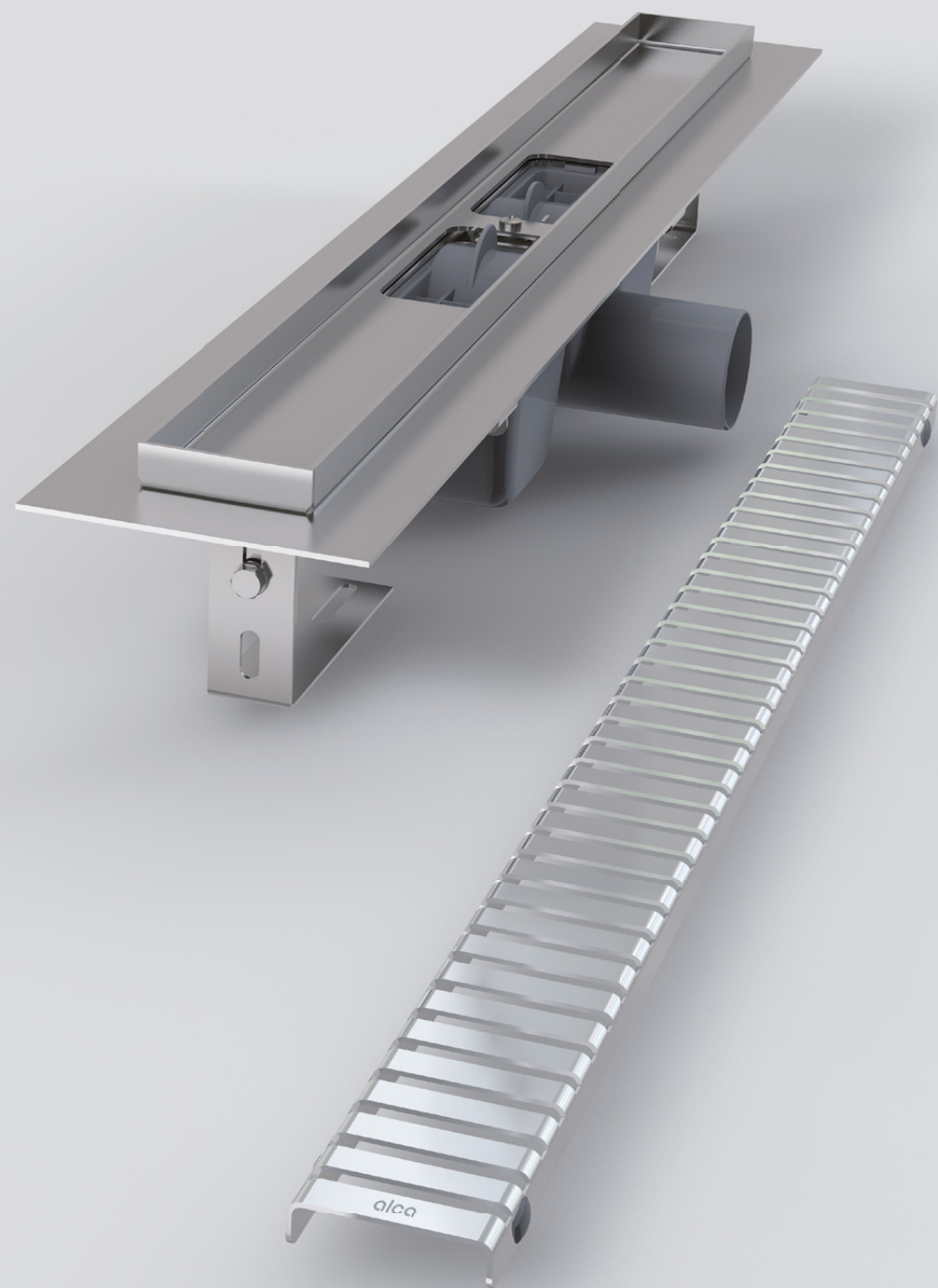
Quantity (packing) 1 pcs  
Quantity (pallet) -

**Z0952-ND**  
Hinges for A64SLIM, A67SLIM



Quantity (packing) 1 pcs  
Quantity (pallet) -

# Shower drains



Linear shower drains	80
Waste systems	92
Corner shower drain	93
Linear shower drains Antivandal	94
Linear shower drains – accessories	95
Plastic linear shower drains	96
Stainless steel strips for sloped floor	103



VIDEO

**APZ1, APZ101 Low**

Shower drain with an edge for perforated grids (300, 550, 650, 750, 850, 950, 1050, 1150, 1450 mm)

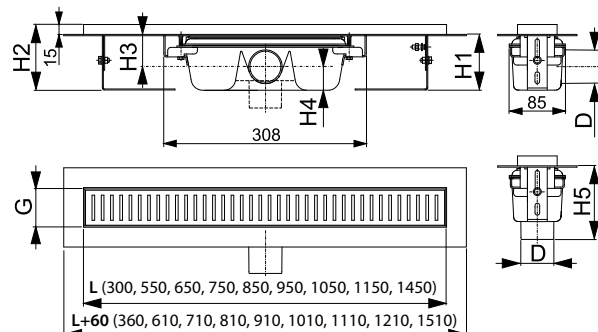


**APZ1001, APZ1101 Low**

Shower drain with an edge for perforated grids, straight outlet (300, 550, 650, 750, 850, 950, 1050, 1150, 1450 mm)



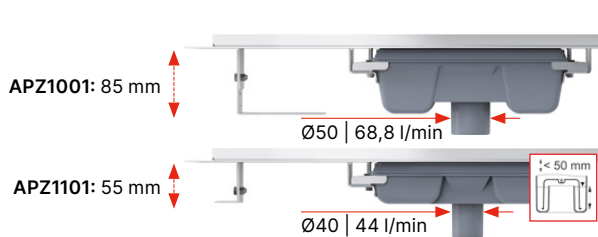
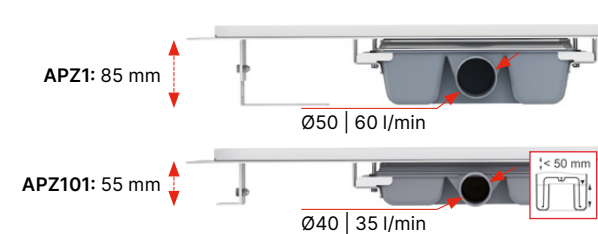
25



	APZ1/1001 APZ1BLACK	APZ101/1101 APZ101BLACK
Minimum floor thickness (H1)	85 mm	55 mm
Total installation height (H2)	100-158 mm	70-96 mm
Height from the axis of the waste to the collar (H3)	48/- mm	33,5/- mm
Height from the axis of the waste to the bottom of the trap (H4)	36/- mm	21,5/- mm
Building height to the waste (H5)	-/111 mm	-/100 mm
Drain channel width (G)	60 mm	60 mm
Flow rate (EN 1253-1)	60/68,8 l/min	35/44 l/min
Outlet pipe diameter (D)	Ø50	Ø40
Load class (EN 1253-1)	K3 = max. 300 kg	
Material – drain body	stainless steel DIN 1.4301	
Material – odour trap	polypropylene	
Drain channel length (L)	300, 550, 650, 750, 850, 950, 1050, 1150, 1450 mm	

Quantity (packing) APZ1-850	12 pcs
Dimensions (piece) APZ1-850	920×135×170 mm
Weight (piece) APZ1-850	3.5651 kg

Table of size variants for linear shower drains and grids – page 221



**LINE**

Stainless steel-matt



**PURE**

Stainless steel-matt



**CUBE**

Stainless steel-matt



**HOPE**

Stainless steel-matt



**BUBLE**

Stainless steel-matt



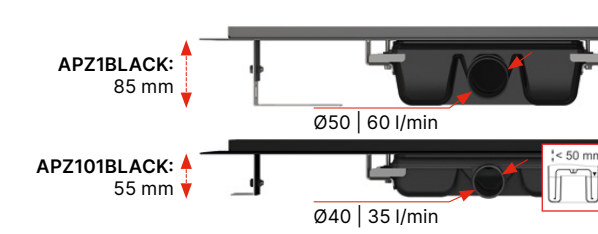
**DREAM**

Stainless steel-matt



Quantity (packing) LINE-850	1 pc
Dimensions (piece) LINE-850	890×20×55 mm
Weight (piece) LINE-850	0.6447 kg

Table of size variants for linear shower drains and grids – page 221

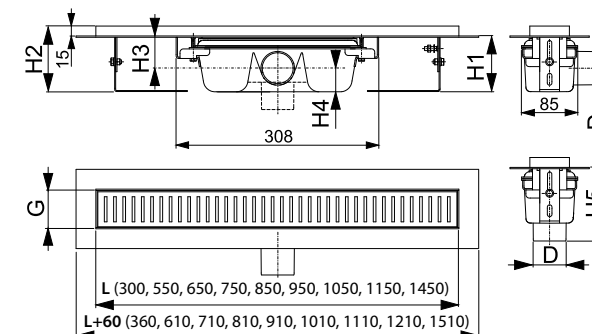


**APZ1BLACK, APZ101BLACK Low**

Shower drain with an edge for perforated grids, black-matt (300, 550, 650, 750, 850, 950, 1050, 1150, 1450 mm)



25



Quantity (packing) APZ1BLACK-850	12 pcs
Dimensions (piece) APZ1BLACK-850	920×135×170 mm
Weight (piece) APZ1BLACK-850	3.5865 kg

**PURE BLACK**

Black-matt



Quantity (packing) PURE-850 BLACK	1 pc
Dimensions (piece) PURE-850 BLACK	890×20×55 mm
Weight (piece) PURE-850 BLACK	0.7427 kg

The grid is not included



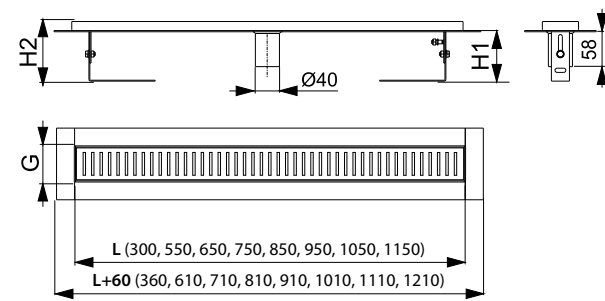
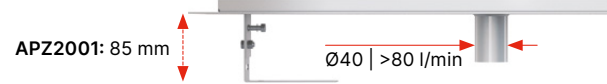
Table of size variants for linear shower drains and grids – page 221

**APZ2001**

Shower drain with an edge for perforated grids, without odour trap (300, 550, 650, 750, 850, 950, 1050, 1150 mm)



25



APZ2001	
Minimum floor thickness (H1)	85 mm
Total installation height (H2)	100–158 mm
Drain channel width (G)	60 mm
Flow rate (EN 1253-1)	>80 l/min
Outlet pipe diameter	Ø40
Load class (EN 1253-1)	K3 = max. 300 kg
Material – drain body	stainless steel DIN 1.4301
Drain channel length (L)	300, 550, 650, 750, 850, 950, 1050, 1150 mm

Quantity (packing) APZ2001-850	12 pcs
Dimensions (piece) APZ2001-850	920×135×170 mm
Weight (piece) APZ2001-850	3.2992 kg

**LINE**

Stainless steel-matt



**PURE**

Stainless steel-matt



**CUBE**

Stainless steel-matt



**HOPE**

Stainless steel-matt



**BUBLE**

Stainless steel-matt



**DREAM**

Stainless steel-matt

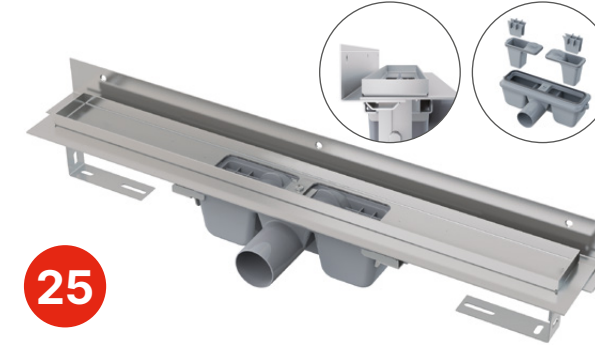


Quantity (packing) LINE-850	1 pc
Dimensions (piece) LINE-850	890×20×55 mm
Weight (piece) LINE-850	0.6447 kg

Table of size variants for linear shower drains and grids – page 221

**APZ4 Flexible, APZ104 Flexible Low**

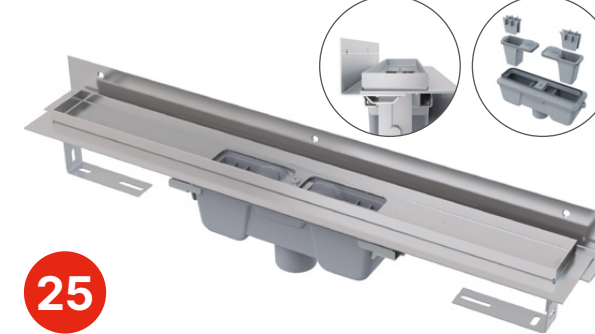
Shower drain with an edge for perforated grids and adjustable vertical flange to the wall (550, 650, 750, 850, 950, 1050, 1150 mm)



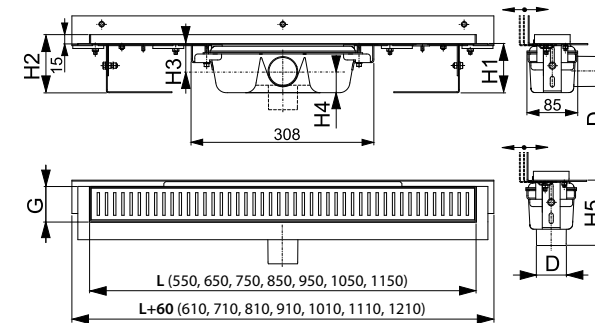
25

**APZ1004 Flexible, APZ1104 Flexible Low**

Shower drain with an edge for perforated grids and adjustable vertical flange to the wall, straight outlet (550, 650, 750, 850, 950, 1050, 1150 mm)

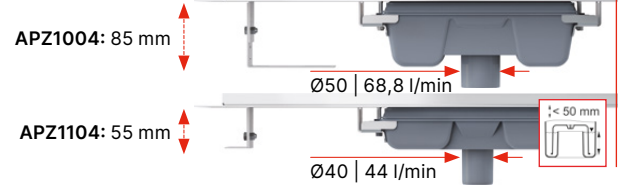
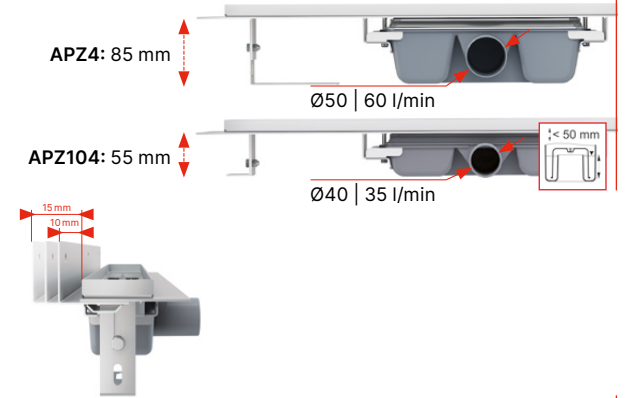


25



	APZ4/1004	APZ104/1104
Minimum floor thickness (H1)	85 mm	55 mm
Total installation height (H2)	100–158 mm	70–96 mm
Height from the axis of the waste to the collar (H3)	48/- mm	33,5/- mm
Height from the axis of the waste to the bottom of the trap (H4)	36/- mm	21,5/- mm
Building height to the waste (H5)	-/111 mm	-/100 mm
Drain channel width (G)	60 mm	60 mm
Flow rate (EN 1253-1)	60/68,8 l/min	35/44 l/min
Outlet pipe diameter (D)	Ø50	Ø40
Load class (EN 1253-1)	K3 = max. 300 kg	
Movable flange range	10–15 mm	10–15 mm
Material – drain body	stainless steel DIN 1.4301	
Material – odour trap	polypropylene	
Drain channel length (L)	550, 650, 750, 850, 950, 1050, 1150 mm	

Quantity (packing) APZ4-850	8 pcs
Dimensions (piece) APZ4-850	920×160×205 mm
Weight (piece) APZ4-850	4.4789 kg



**LINE**

Stainless steel-matt



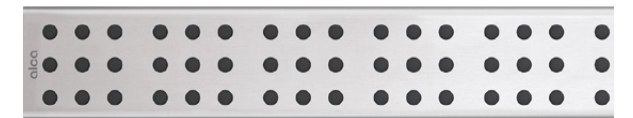
**PURE**

Stainless steel-matt



**CUBE**

Stainless steel-matt



**HOPE**

Stainless steel-matt



**BUBLE**

Stainless steel-matt



**DREAM**

Stainless steel-matt



Quantity (packing) LINE-850	1 pc
Dimensions (piece) LINE-850	890×20×55 mm
Weight (piece) LINE-850	0.6447 kg

**APZ6 Professional, APZ106 Professional Low**

Shower drain with an edge for full grids (300, 550, 650, 750, 850, 950, 1050, 1150 mm)



25

**APZ1006 Professional, APZ1106 Professional Low**

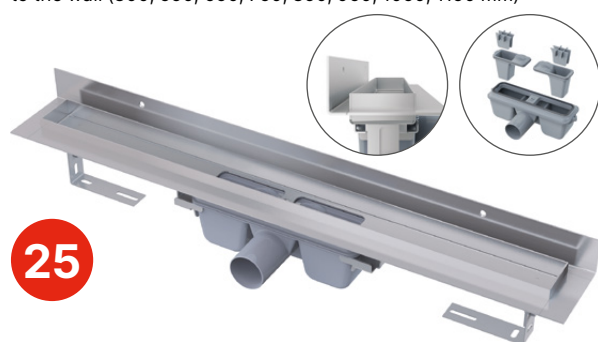
Shower drain with an edge for full grids, straight outlet (300, 550, 650, 750, 850, 950, 1050, 1150 mm)



25

**APZ16 Wall, APZ116 Wall Low**

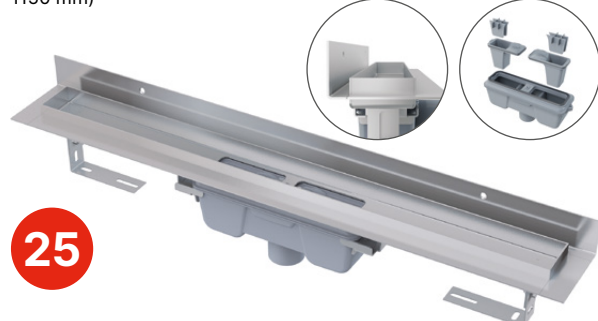
Shower drain with an edge for full grids and fixed vertical flange to the wall (300, 550, 650, 750, 850, 950, 1050, 1150 mm)



25

**APZ1016 Wall, APZ1116 Wall Low**

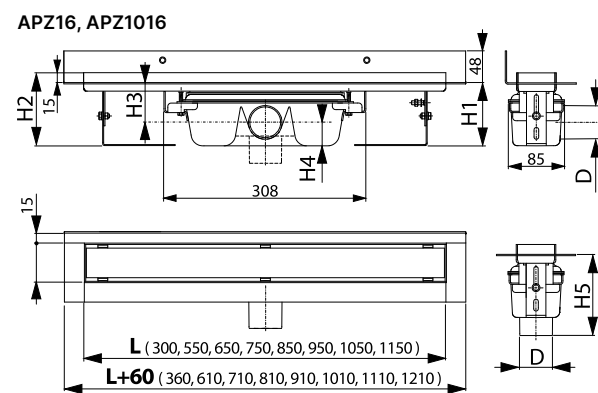
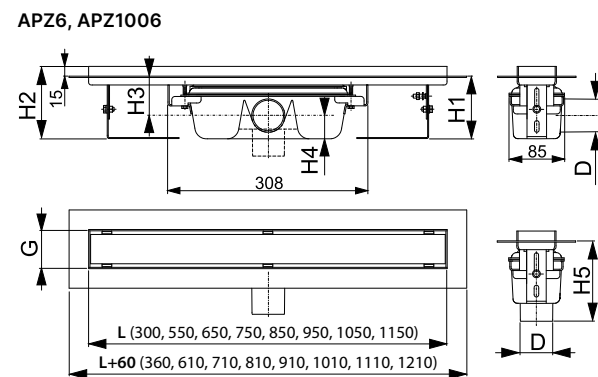
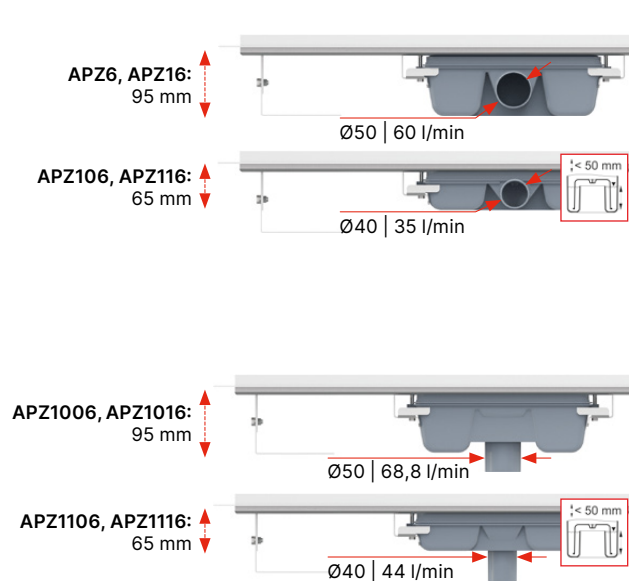
Shower drain with an edge for full grids and fixed vertical flange to the wall, straight outlet (300, 550, 650, 750, 850, 950, 1050, 1150 mm)



25

Quantity (packing) APZ6-850	12 pcs
Dimensions (piece) APZ6-850	920×135×170 mm
Weight (piece) APZ6-850	3.9031 kg

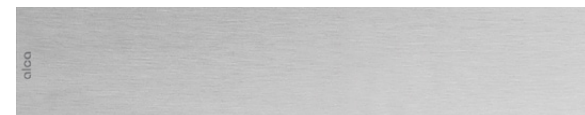
Table of size variants for linear shower drains and grids – page 222



Quantity (packing) APZ16-850	8 pcs
Dimensions (piece) APZ16-850	920×205×160 mm
Weight (piece) APZ16-850	4.477 kg

**POSH**

Stainless steel-matt



Quantity (packing) POSH-850	1 pc
Dimensions (piece) POSH-850	860×35×65 mm
Weight (piece) POSH-850	1.9396 kg

**POSH**



**DESIGN**



**DESIGN**

Stainless steel-matt



	APZ6/1006 APZ16/1016	APZ106/1106 APZ116/1116
Minimum floor thickness (H1)	95 mm	65 mm
Total installation height (H2)	110–168 mm	80–106 mm
Height from the axis of the waste to the collar (H3)	59/- mm	44,5/- mm
Height from the axis of the waste to the bottom of the trap (H4)	36/- mm	21,5/- mm
Building height to the waste (H5)	-/122 mm	-/110 mm
Drain channel width (G)	60 mm	60 mm
Flow rate (EN 1253-1)	60/68,8 l/min	35/44 l/min
Outlet pipe diameter (D)	Ø50	Ø40
Material – drain body	stainless steel DIN 1.4301	
Material – odour trap	polypropylene	
Drain channel length (L)	300, 550, 650, 750, 850, 950, 1050, 1150 mm	

Table of size variants for linear shower drains and grids – page 222

**FLOOR**

Grid for embedding tiles



Quantity (packing) FLOOR-850	1 pc
Dimensions (piece) FLOOR-850	860×35×65 mm
Weight (piece) FLOOR-850	0.9123 kg

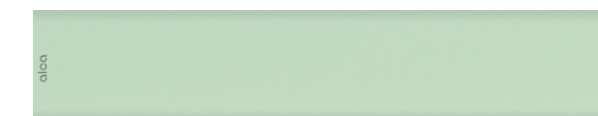
**GL1200**

Glass-white



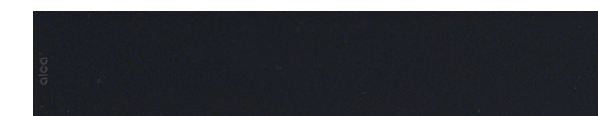
**GL1202**

Glass-green



**GL1204**

Glass-black



Quantity (packing) GL1200-850	1 pc
Dimensions (piece) GL1200-850	1200×0×Ø60 mm
Weight (piece) GL1200-850	1.6133 kg

**STAINLESS STEEL**

These grids have the following codes:  
DESIGN – the basis is a stainless steel U-profile, with rounded edges. Two different finishes are available: polished and brushed matt.

POSH – a solid stainless steel plate is attached to the standard U-profile, with clean lines and well-defined edges. Surface finish is brushed matt.

Load class – K3.

**GLASS**

These grids have the following codes:

GL line – tempered glass

The grids are based on stainless steel U-profiles to which a solid piece of tempered glass is attached, available in a range of colours and with a high gloss finish. The special, toughened glass conforms to the relevant safety regulations EN 12150-2.

Load class – H15.



**APZ15 Marble, APZ115 Marble Low**  
 Shower drain without edge with grid for embedding tiles  
 (300, 550, 650, 750, 850, 950, 1050, 1150 mm)



25

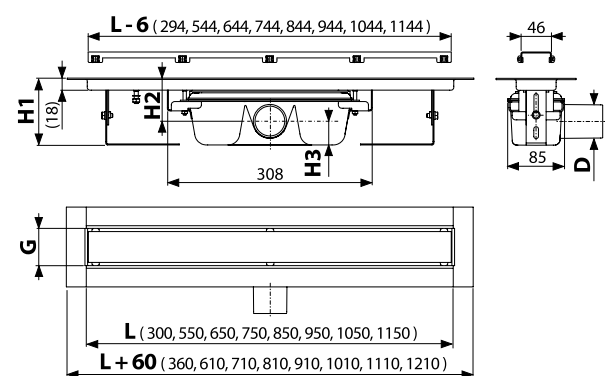
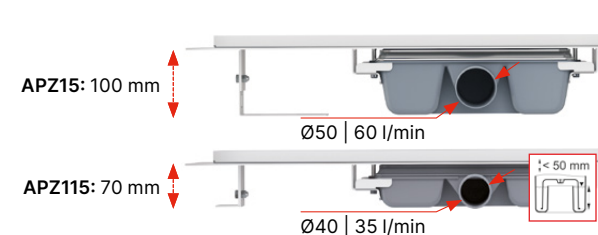


Table of size variants for linear shower drains and grids – page 222



All in package



**Package content**

- Shower drain assembled with the odour trap
- Grid for gluing various types of floor coverings
- Template for cutting tiles on the grid
- Waterproof tape at the length of the linear drain
- Anchoring kit (screws, dowels)
- Installation legs
- Dismantling hook

	APZ15	APZ115
Minimum floor thickness (H1)	100–158 mm	71–97 mm
Height from the axis of the waste to the collar (H3)	65 mm	50 mm
Height from the axis of the waste to the bottom of the trap (H4)	35 mm	21 mm
Drain channel width (G)	56 mm	56 mm
Flow rate (EN 1253-1)	60–68,8 l/min	35 l/min
Outlet pipe diameter (D)	Ø50	Ø40
Load class (EN 1253-1)	K3 = max. 300 kg	
Material – drain body (ČSN 17240)	stainless steel DIN 1.4301	
Material – odour trap	polypropylene	
Drain channel length (L)	300, 550, 650, 750, 850, 950, 1050, 1150 mm	

Quantity (packing) APZ15-850	8 pcs
Dimensions (piece) APZ15-850	920×205×160 mm
Weight (piece) APZ15-850	5.4832 kg

## Shower drain APZ15 Marble

The new generation of stainless steel shower drains APZ15 is aimed especially for design fans. The water is drained by two slots in the pavement of the bathroom that hides the stainless steel shower drain without edges. The view is not optically disturbed by the stainless steel edge neither on the grid nor on the shower drain. Naturally functioning secondary drainage will ensure outflow of moisture under the pavement back into the shower drain body.

**Advantages of the shower drain:**

- Design shower drain is suitable for any paving thickness and for large format natural stone boards
- Water drainage is ensured by the slot in the pavement
- Uniform floor surface in the bathroom is achieved by the innovative shower drain and grid construction without edge
- The upper side of grid is covered with a special rough surface to ensure a safe bonding with the embedded tiles

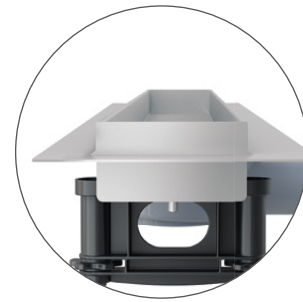




# APZ13 Fit and Go

## All in one package. Shower drain APZ13 with two-sided grid DOUBLE

Set APZ13 Fit and Go includes shower drain, low odour trap APZ-S9 (81 mm) and two-sided grid DOUBLE. Fit and Go provides solutions for fast and easy installation.



**APZ13-DOUBLE9 Fit and Go**  
Shower drain with an edge for two-sided grid (550, 650, 750, 850, 950 mm)



### Package content

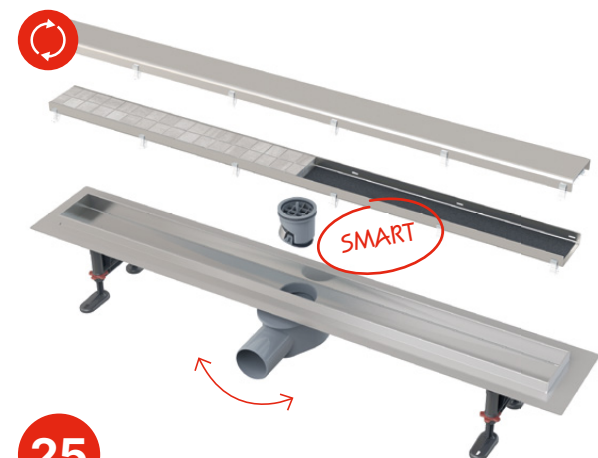
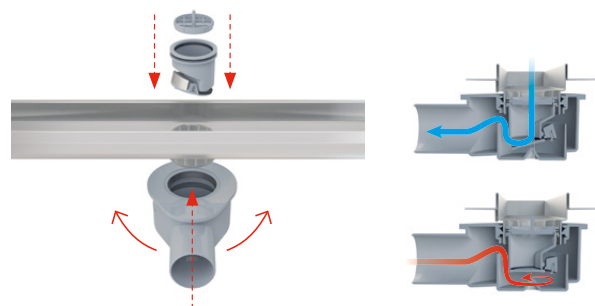
- Shower drain
- two-sided grid DOUBLE (full grid or grid for tile embedding)
- Waterproof tape at the length of the linear drain
- Low odour trap APZ-S9
- Combined odour trap SMART
- Anchoring kit (screws, dowels)
- Installation legs
- Dismantling hook

### Two-sided grid DOUBLE

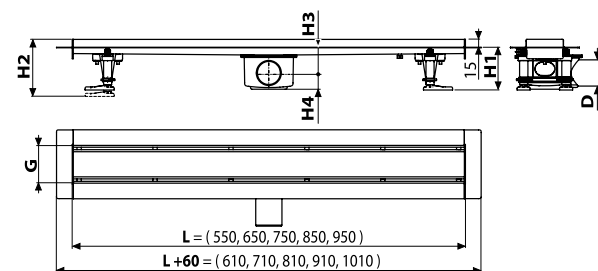
The grid DOUBLE provides a choice – either a full stainless steel grid or simply by turning the grid for embedding tiles. The final decision can be made even after installation of the shower drain without any construction modifications. Two-sided grid DOUBLE offers both grid versions in one.

### DOUBLE

Stainless steel-matt / Grid for embedding tiles  
The grid is included



25



### APZ13 Fit and Go

Minimum floor thickness (H1)	81 mm
Total installation height (H2)	96–170 mm
Height from the axis of the waste to the collar (H3)	50 mm
Height from the axis of the waste to the bottom of the trap (H4)	31 mm
Drain channel width (G)	71 mm
Flow rate (EN 1253-1)	50 l/min
Outlet pipe diameter (D)	Ø50
Load class (EN 1253-1)	K3 = max. 300 kg
Material – drain body	stainless steel DIN 1.4301
Material – odour trap	polypropylene
Drain channel length (L)	550, 650, 750, 850, 950 mm

# APZ23 Fit and Go Wall

## Shower drain APZ23 Wall with vertical flange to wall and two-sided grid DOUBLE. All in one package.

Set APZ23 Fit and Go Wall includes shower drain with vertical flange to wall, low odour trap APZ-S9 (81 mm) and two-sided grid DOUBLE. Fit and Go provides solutions for fast and easy installation.



**APZ23-DOUBLE9 Fit and Go Wall**  
Shower drain with an edge for two-sided grid and fixed vertical flange to the wall (750, 850, 950 mm)



### Package content

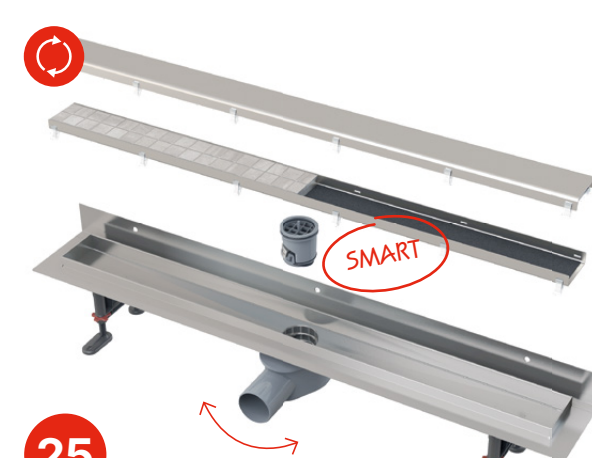
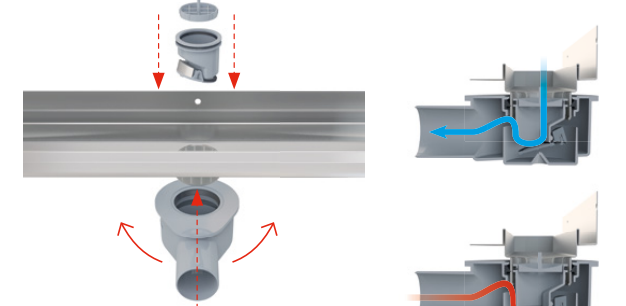
- Shower drain with vertical flange to wall
- two-sided grid DOUBLE (full grid or grid for tile embedding)
- Waterproof tape at the length of the linear drain
- Low odour trap APZ-S9
- Combined odour trap SMART
- Anchoring kit (screws, dowels)
- Installation legs
- Dismantling hook

### Two-sided grid DOUBLE

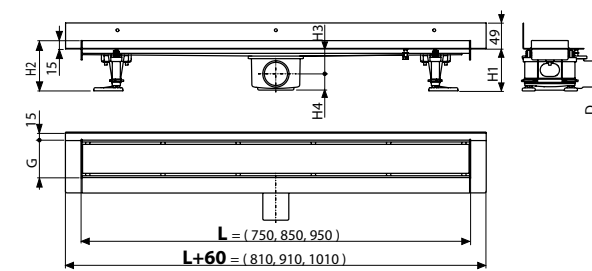
The grid DOUBLE provides a choice – either a full stainless steel grid or simply by turning the grid for embedding tiles. The final decision can be made even after installation of the shower drain without any construction modifications. Two-sided grid DOUBLE offers both grid versions in one.

### DOUBLE

Stainless steel-matt / Grid for embedding tiles  
The grid is included



25

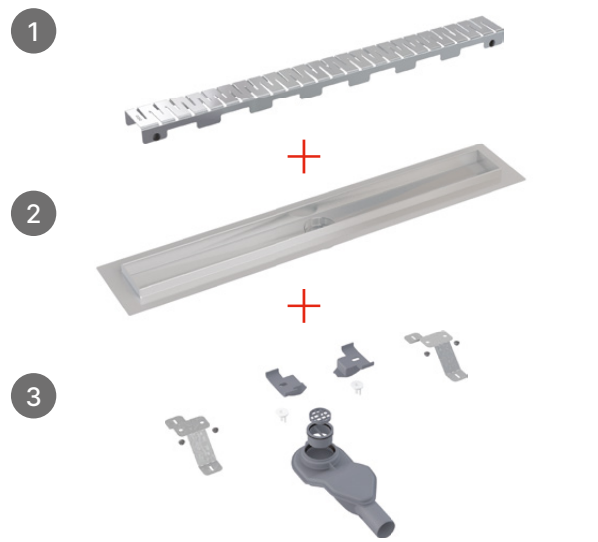


### APZ23 Fit and Go Wall

Minimum floor thickness (H1)	81 mm
Total installation height (H2)	96–170 mm
Height from the axis of the waste to the collar (H3)	50 mm
Height from the axis of the waste to the bottom of the trap (H4)	31 mm
Drain channel width (G)	71 mm
Flow rate (EN 1253-1)	50 l/min
Outlet pipe diameter (D)	Ø50
Load class (EN 1253-1)	K3 = max. 300 kg
Material – drain body	stainless steel DIN 1.4301
Material – odour trap	polypropylene
Drain channel length (L)	750, 850, 950 mm

# Stainless steel linear shower drains APZ13 Modular, APZ23 Modular Wall

The stainless steel shower drains APZ13 and APZ23 were designed as modular products according to current standards in Western markets. We offer 3 length variants with 3 optional traps and 7 grids. The grids range includes perforated and full grids, grids for embedding tiles and prismatic grid (parallel bars).



**2 APZ13 Modular**  
Shower drain  
(750, 850, 950 mm)



**25**

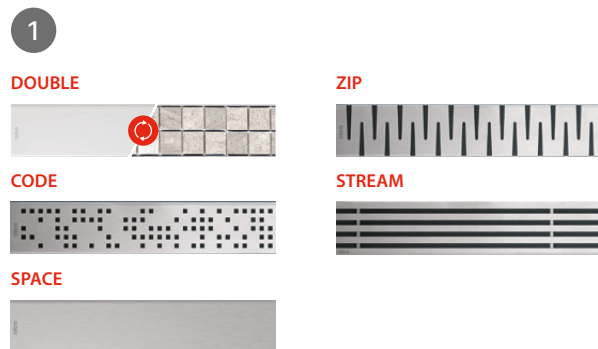
Quantity (packing) APZ13-850	20 pcs
Dimensions (piece) APZ13-850	940×156×84 mm
Weight (piece) APZ13-850	2.033 kg

**APZ23 Modular Wall**  
Shower drain  
(750, 850, 950 mm)



**25**

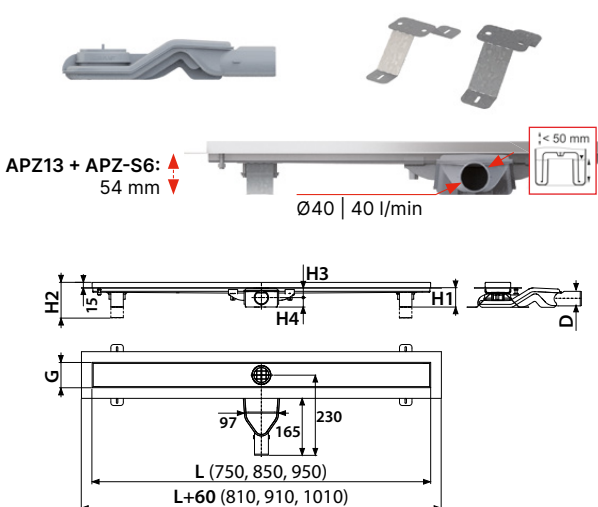
Quantity (packing) APZ23-850	20 pcs
Dimensions (piece) APZ23-850	940×156×84 mm
Weight (piece) APZ23-850	2.6828 kg



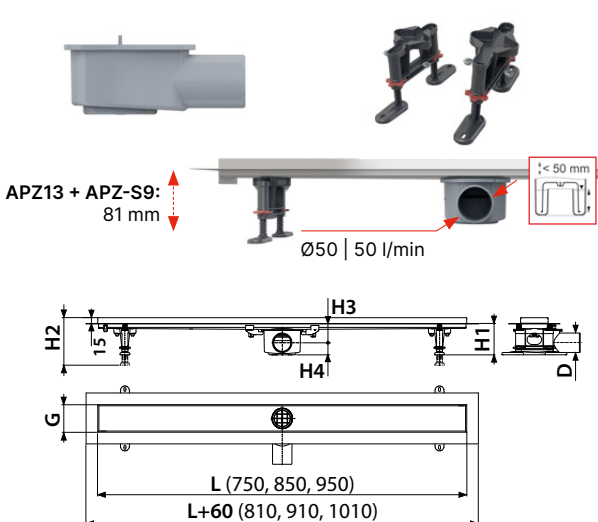
**P143** Combined odour trap SMART for APZ-S6  
**P144** Combined odour trap SMART for APZ-S9  
**P145** Combined odour trap SMART for APZ-S12



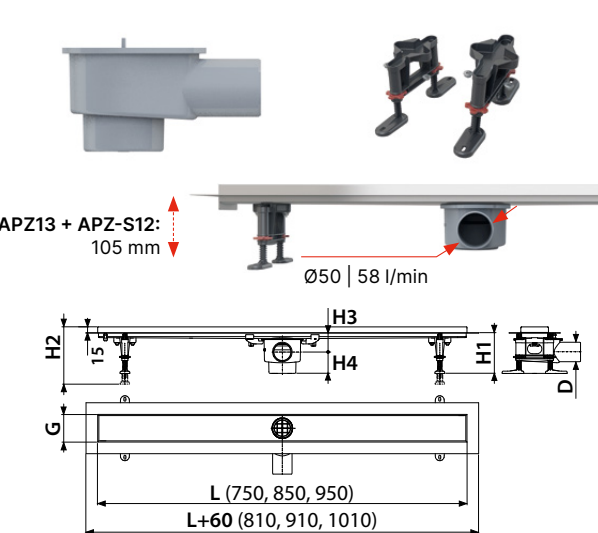
**APZ-S6**  
Extra-low trap DN40 and set of adjustable legs



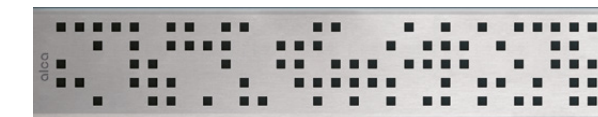
**APZ-S9**  
Low trap DN50 and set of adjustable legs



**APZ-S12**  
Trap DN50 and set of adjustable legs



**CODE**  
Stainless steel-matt



**ZIP**  
Stainless steel-matt



**DOUBLE**  
Stainless steel-matt / Grid for embedding tiles



**SPACE**  
Stainless steel-matt



**STREAM**  
Stainless steel-matt



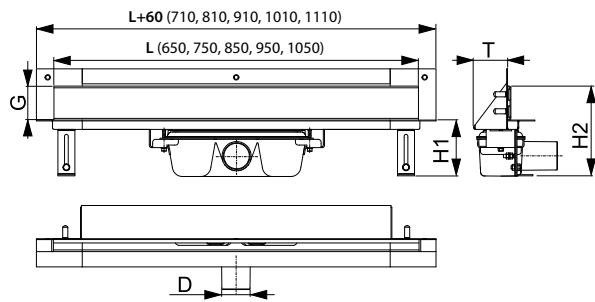
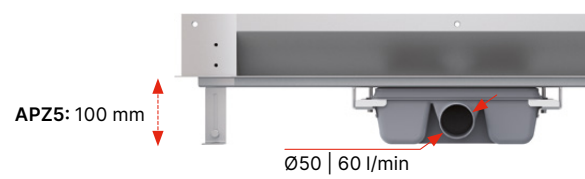
Quantity (packing) CODE-850	1 pc
Dimensions (piece) CODE-850	855×76×40 mm
Weight (piece) CODE-850	0.9747 kg

**APZ13 + APZ-S6/APZ-S9/APZ-S12, APZ23 + APZ-S6/APZ-S9/APZ-S12**

Minimum floor thickness (H1)	54/81/105 mm
Total installation height (H2)	69–86/96–170/120–170 mm
Height from the axis of the waste to the collar (H3)	24/50/50 mm
Height from the axis of the waste to the bottom of the trap (H4)	30/31/55 mm
Drain channel width (G)	71 mm
Flow rate (EN 1253-1)	40/50/58 l/min
Outlet pipe diameter (D)	Ø40/50/50
Load class (EN 1253-1)	K3 = max. 300 kg
Material – drain body (ČSN 17240)	stainless steel DIN 1.4301
Material – odour trap	polypropylene
Drain channel length (L)	750, 850, 950 mm



**APZ5-EDEN Spa**  
**APZ5-SHADE Spa**  
**APZ5-TWIN Spa**  
 Waste system for installation in walls  
 (650, 750, 850, 950, 1050 mm)



APZ5	
Minimum floor thickness (H1)	100 mm
Total installation height (H2)	165–220 mm
Cover width (G)	60 mm
Flow rate (EN 1253-1)	60 l/min
Outlet pipe diameter (D)	Ø50
Installation depth (T)	64 mm
Material – drain body	stainless steel DIN 1.4301
Material – odour trap	polypropylene
Drain channel length (L)	650, 750, 850, 950, 1050 mm

Quantity (packing) APZ5-SHADE-850	8 pcs
Dimensions (piece) APZ5-SHADE-850	920×160×205 mm
Weight (piece) APZ5-SHADE-850	6.2432 kg

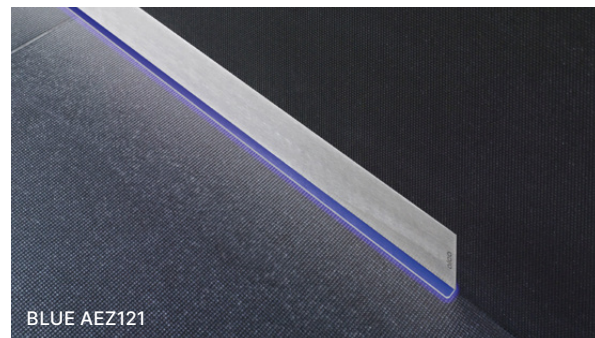
**APZ5-EDEN Spa**  
 Cover stainless steel-polished



**APZ5-SHADE Spa**  
 Cover stainless steel-matt



**APZ5-TWIN Spa**  
 Cover for embedding tiles

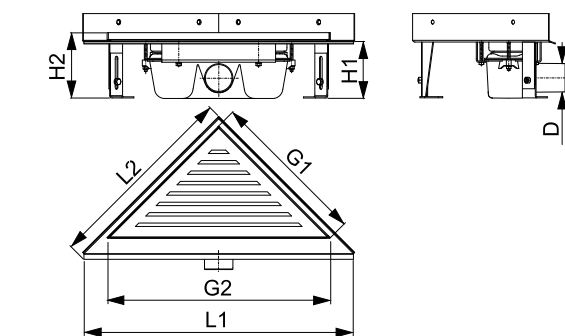
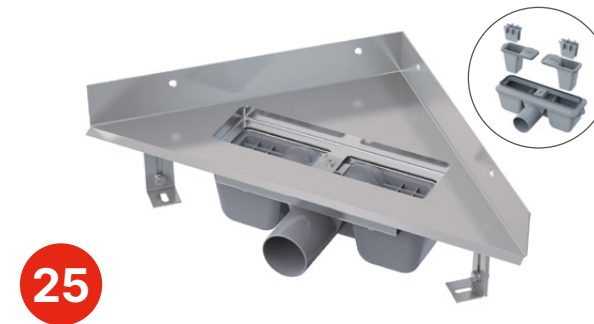


**ALCA LIGHT**

APZ5 Spa backlight		Length varieties of backlighting for APZ5 Spa shower drains				
Lighting colour	Length of the drain (mm)	650	750	850	950	1050
White	Code of backlighting in the length of the drain	AEZ 120-650	AEZ 120-750	AEZ 120-850	AEZ 120-950	AEZ 120-1050
Blue		AEZ 121-650	AEZ 121-750	AEZ 121-850	AEZ 121-950	AEZ 121-1050
Green		AEZ 122-650	AEZ 122-750	AEZ 122-850	AEZ 122-950	AEZ 122-1050
Red		AEZ 123-650	AEZ 123-750	AEZ 123-850	AEZ 123-950	AEZ 123-1050
Rainbow		AEZ 124-650	AEZ 124-750	AEZ 124-850	AEZ 124-950	AEZ 124-1050

Source for backlighting APZ5 Spa – AEZ310, AEZ320 – page 50. Overview of all order codes see page 223.

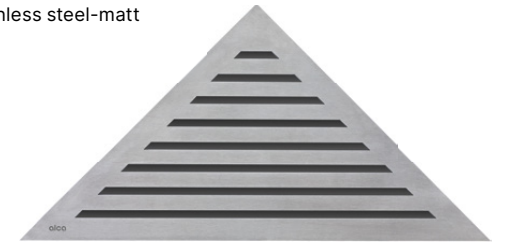
**ARZ1**  
 Corner shower drain without an edge for perforated grids



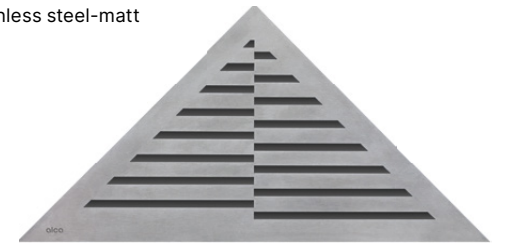
ARZ1	
Minimum floor thickness (H1)	100 mm
Total installation height (H2)	110–170 mm
Drain dimensions (L1×L2)	475×340 mm
Grid dimensions (G1×G2)	270×382 mm
Flow rate (EN 1253-1)	60 l/min
Outlet pipe diameter (D)	Ø50
Load class (EN 1253-1)	K3 = max. 300 kg
Material – drain body	stainless steel DIN 1.4301
Material – odour trap	polypropylene

Quantity (packing) ARZ1	4 pcs
Dimensions (piece) ARZ1	490×125×330 mm
Weight (piece) ARZ1	3.144 kg

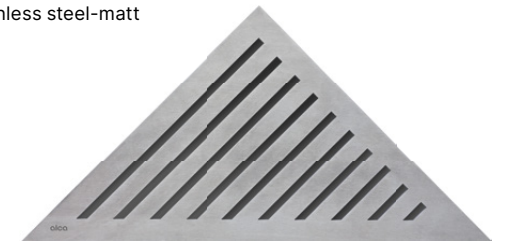
**LIFE**  
 Stainless steel-matt



**TIME**  
 Stainless steel-matt



**GRACE**  
 Stainless steel-matt



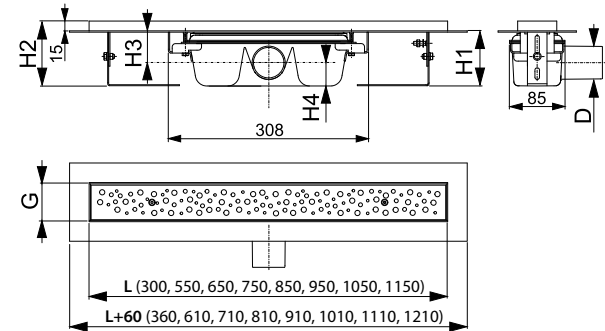
Quantity (packing) LIFE	1 pc
Dimensions (piece) LIFE	390×20×195 mm
Weight (piece) LIFE	1.2319 kg



**APZ11 Antivandal, APZ111 Antivandal Low**  
Shower drain Antivandal with grid  
(300, 550, 650, 750, 850, 950, 1050, 1150 mm)



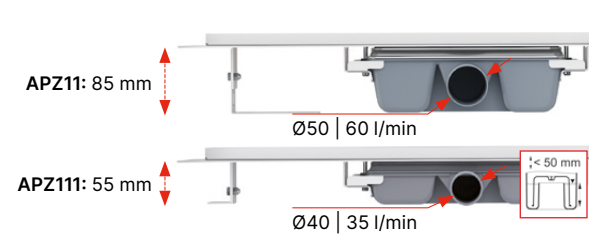
25



	APZ11	APZ111
Minimum floor thickness (H1)	85 mm	55 mm
Total installation height (H2)	100–158 mm	70–96 mm
Height from the axis of the waste to the collar (H3)	49 mm	33,5 mm
Height from the axis of the waste to the bottom of the trap (H4)	36 mm	21,5 mm
Drain channel width (G)	60 mm	60 mm
Flow rate (EN 1253-1)	60 l/min	35 l/min
Outlet pipe diameter (D)	Ø50	Ø40
Load class (EN 1253-1)	K3 = max. 300 kg	
Material – drain body	stainless steel DIN 1.4301	
Material – odour trap	polypropylene	
Drain channel length (L)	300, 550, 650, 750, 850, 950, 1050, 1150 mm	

Quantity (packing) APZ11-850	12 pcs
Dimensions (piece) APZ11-850	920×135×170 mm
Weight (piece) APZ11-850	4.3762 kg

Table of size variants for linear shower drains and grids – page 222



**BUBLE**  
Stainless steel-matt



The grid is included

**P095**  
Set of combined odour traps for stainless steel shower drains  
Alca (standard building height)



Quantity (packing)	1 pc
Quantity (pallet)	- pcs

**P143**  
Combined odour trap SMART for APZ-S6



Quantity (packing)	1 pc
Quantity (pallet)	- pcs

**P144**  
Combined odour trap SMART for APZ-S9



Quantity (packing)	1 pc
Quantity (pallet)	- pcs

**P145**  
Combined odour trap SMART for APZ-S12



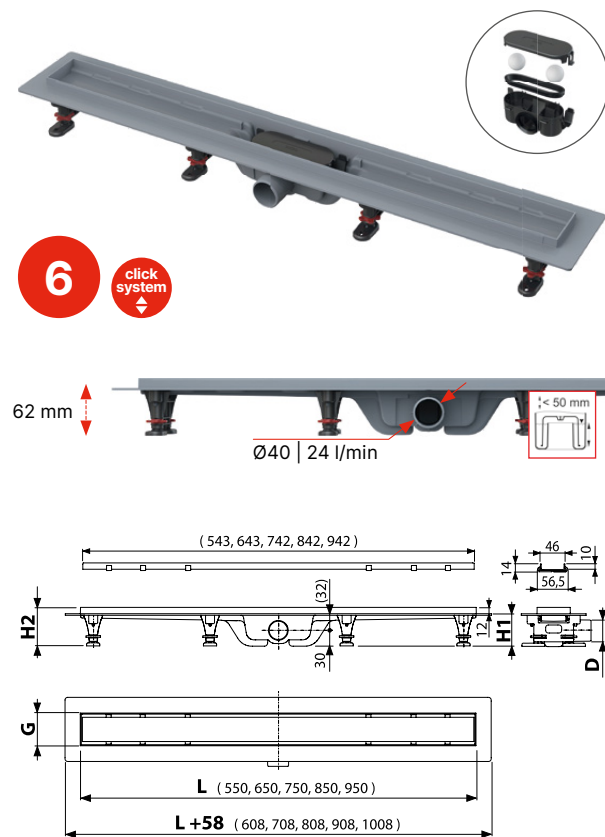
Quantity (packing)	1 pc
Quantity (pallet)	- pcs

**AHP80**  
Waterproof tape – length 1200 mm



Quantity (packing)	1 pc
Quantity (pallet)	- pcs

**APZ19 Simple**  
Shower drain with an edge for two-sided grid  
(550, 650, 750, 850, 950 mm)



**APZ19BLACK Simple**  
Shower drain with an edge for two-sided grid, black-matt  
(550, 650, 750, 850, 950 mm)

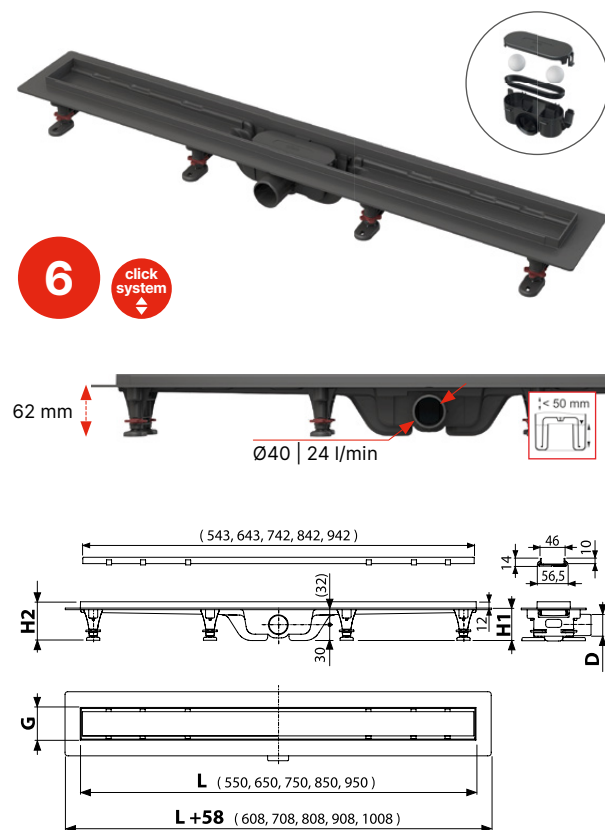


Table of size variants for linear shower drains and grids – page 222

**APZ19 Simple**  
Stainless steel-matt / Grid for embedding tiles  
(max. thickness 8 mm)



The grid is included

All in package



APZ19 / APZ19BLACK	
Minimum floor thickness (H1)	62 mm
Total installation height (H2)	74–110 mm
Drain channel width (G)	62 mm
Flow rate (EN 1253-1)	24 l/min
Outlet pipe diameter (D)	Ø40
Load class (EN 1253-1)	K3 = max. 300 kg
Material – drain body	polypropylene
Material – odour trap	polypropylene
Drain channel length (L)	550, 650, 750, 850, 950 mm
Quantity (packing) APZ19-850	30 pcs
Dimensions (piece) APZ19-850	965×80×145 mm
Weight (piece) APZ19-850	2.4188 kg

**APZ19BLACK Simple**  
Stainless steel-matt / Grid for embedding tiles  
(max. thickness 8 mm)



The grid is included

All in package



**Package content (APZ19, APZ19BLACK, APZ20)**

- Shower drain
- Grid
- Waterproof tape at the length of the linear drain
- Combined odour SMART trap
- Anchoring kit (screws, dowels)
- Installation legs
- Dismantling hook

Table of size variants for linear shower drains and grids – page 222

**APZ20 Simple**  
Stainless steel-matt / Grid for embedding tiles  
(max. thickness 8 mm)



The grid is included

All in package



**APZ20 Simple**  
Shower drain with a stainless steel edge for two-sided grid  
(550, 650, 750, 850, 950 mm)



APZ20	
Minimum floor thickness (H1)	62 mm
Total installation height (H2)	75–111 mm
Drain channel width (G)	64 mm
Flow rate (EN 1253-1)	24 l/min
Outlet pipe diameter (D)	Ø40
Load class (EN 1253-1)	K3 = max. 300 kg
Material – drain body	polypropylene
Material – odour trap	polypropylene
Drain channel length (L)	550, 650, 750, 850, 950 mm
Quantity (packing) APZ20-850	30 pcs
Dimensions (piece) APZ20-850	965×80×145 mm
Weight (piece) APZ20-850	2.4188 kg

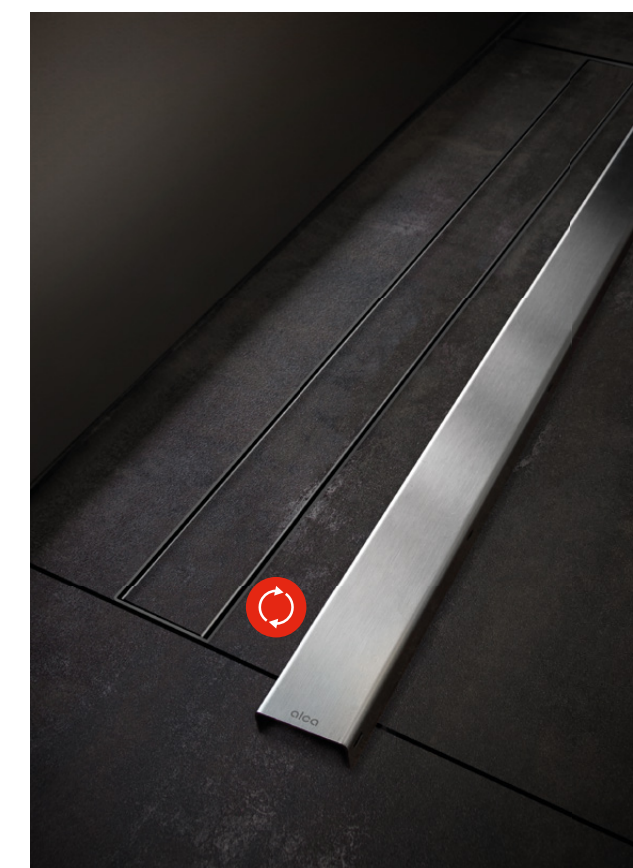
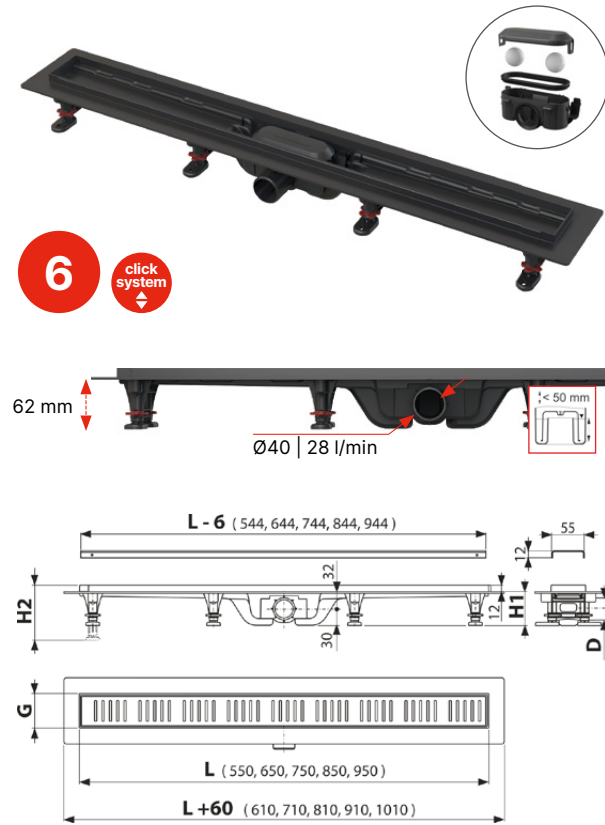




Table of size variants for linear shower drains and grids – page 222

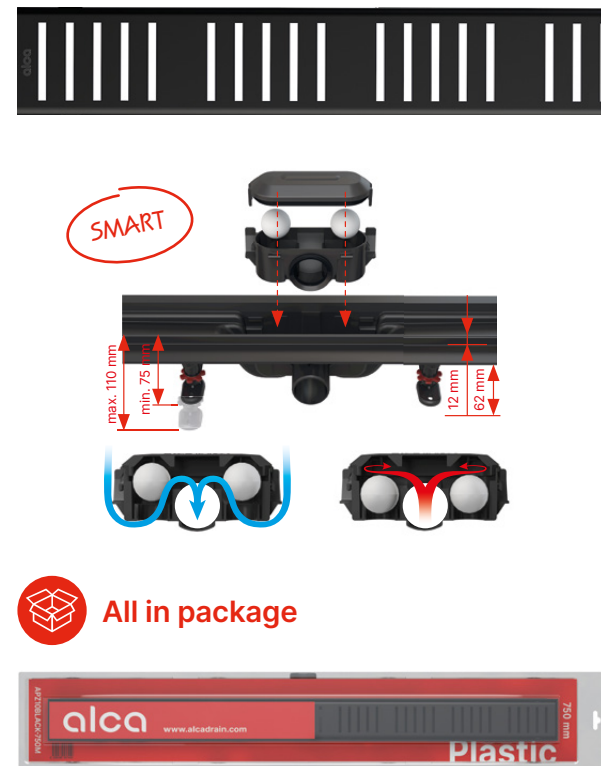
**APZ10BLACK Simple**

Shower drain with an edge for perforated grids, black-matt (550, 650, 750, 850, 950 mm)



**APZ10BLACK Simple**

Stainless steel-black matt – the grid is included



**All in package**



**APZ10BLACK-BRASS Simple**

Shower drain with an edge for perforated grids, brass (550, 650, 750, 850, 950 mm)



Table of size variants for linear shower drains and grids – page 222

**APZ10BLACK-BRASS Simple**

Brass – the grid is included

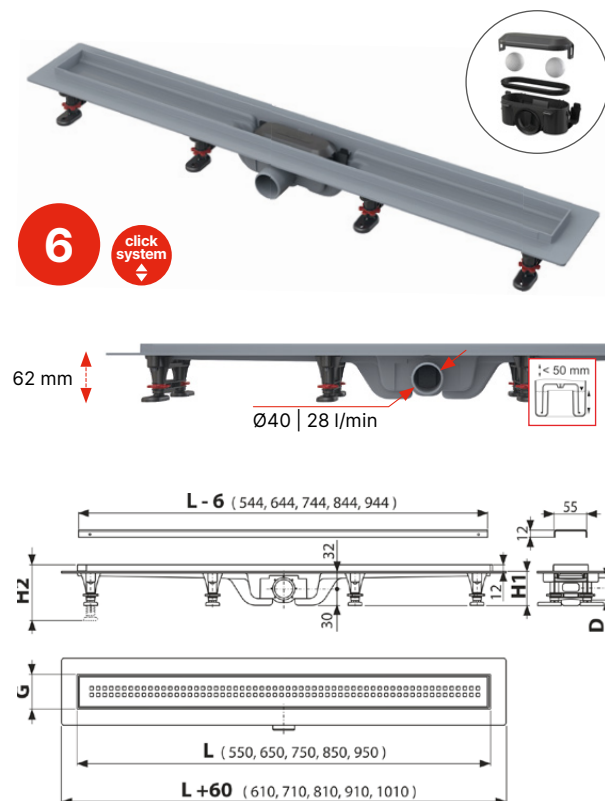


**All in package**



**APZ9 Simple**  
**APZ10 Simple**

Shower drain with an edge for perforated grids (550, 650, 750, 850, 950 mm)



**APZ9 Simple**

Stainless steel-matt – the grid is included



**APZ10 Simple**

Stainless steel-matt – the grid is included

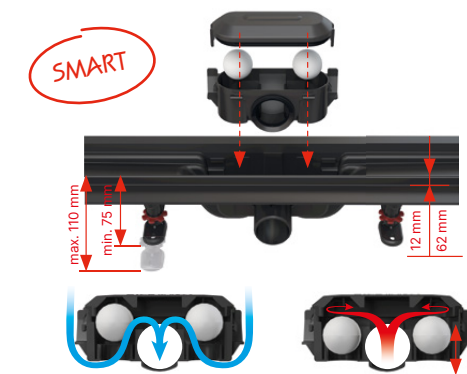


**All in package**



**Package content**  
**(APZ9, APZ10, APZ10BLACK, APZ10BLACK-BRASS)**

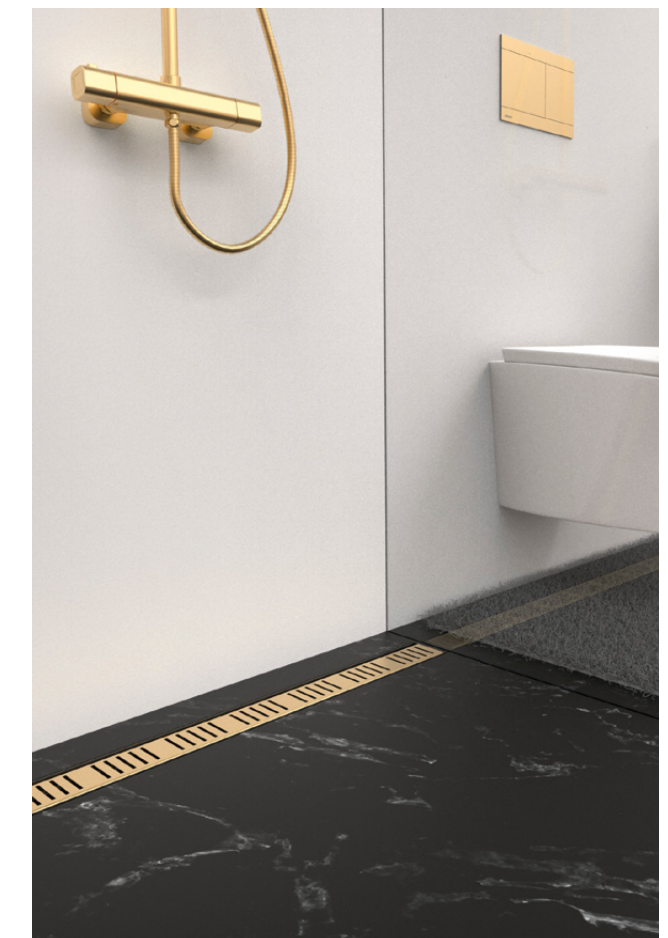
- Shower drain
- Grid
- Waterproof tape at the length of the linear drain
- Combined odour SMART trap
- Anchoring kit (screws, dowels)
- Installation legs
- Dismantling hook



**APZ9 / APZ10 / APZ10BLACK / APZ10BLACK-BRASS**

Minimum floor thickness (H1)	62 mm
Total installation height (H2)	75-110 mm
Drain channel width (G)	60 mm
Flow rate (EN 1253-1)	28 l/min
Outlet pipe diameter (D)	Ø40
Load class (EN 1253-1)	K3 = max. 300 kg
Material – drain body	polypropylene
Material – odour trap	polypropylene
Drain channel length (L)	550, 650, 750, 850, 950 mm

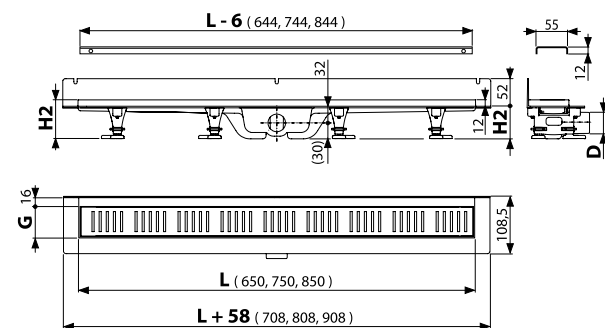
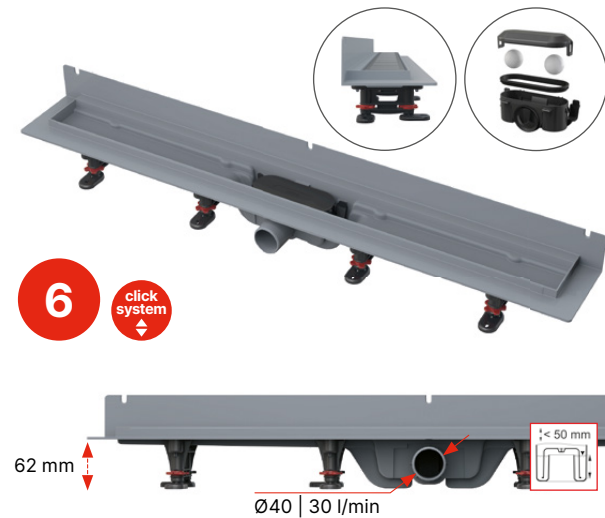
Quantity (packing) APZ9-850M	30 pcs
Dimensions (piece) APZ9-850M	965×80×145 mm
Weight (piece) APZ9-850M	1.9724 kg





**APZ30 Wall**

Shower drain with an edge for perforated grids and fixed vertical flange to the wall (650, 750, 850 mm)



APZ30	
Minimum floor thickness (H1)	62 mm
Total installation height (H2)	75-110 mm
Drain channel width (G)	60 mm
Flow rate (EN 1253-1)	30 l/min
Outlet pipe diameter (D)	Ø40
Load class (EN 1253-1)	K3 = max. 300 kg
Material – drain body	polypropylene
Material – odour trap	polypropylene
Drain channel length (L) APZ30	650, 750, 850 mm

Quantity (packing) APZ30-850M	30 pcs
Dimensions (piece) APZ30-850M	923×132×169 mm
Weight (piece) APZ30-850M	2.3607 kg

Table of size variants for linear shower drains and grids – page 222

**APZ30 Wall**

Stainless steel-matt – the grid is included



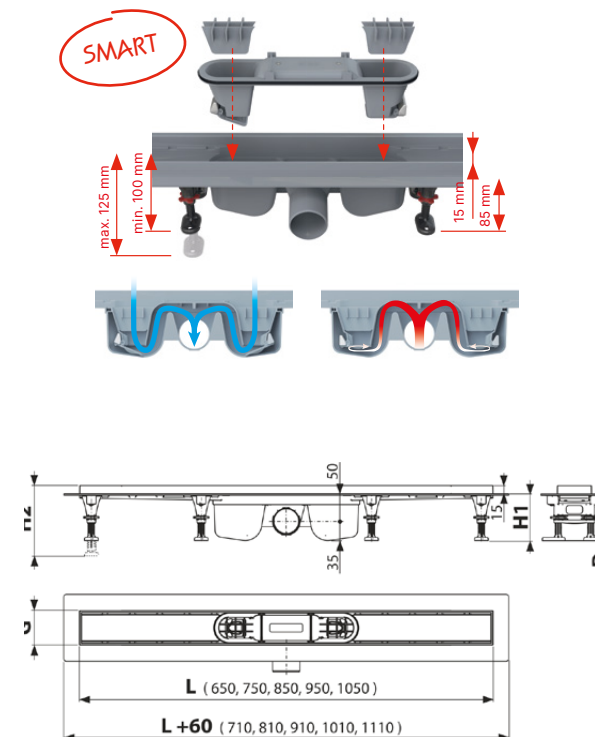
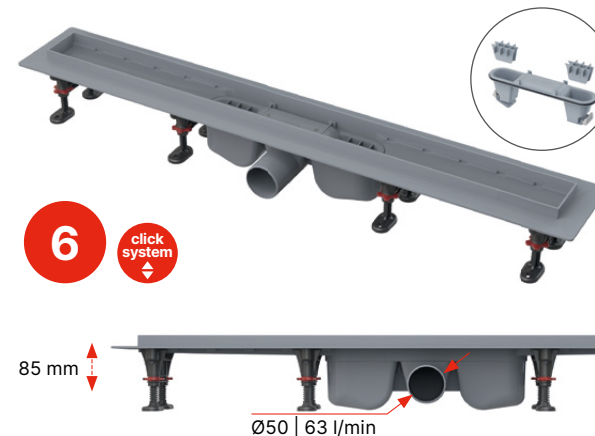
**All in package**

**Package content**

- Shower drain
- Grid
- Waterproof tape at the length of the linear drain
- Combined odour SMART trap
- Anchoring kit (screws, dowels)
- Installation legs
- Dismantling hook

**APZ12 Optimal**

Shower drain with an edge for perforated grids or tile embedding (650, 750, 850, 950, 1050 mm)



APZ12	
Minimum floor thickness (H1)	85 mm
Total installation height (H2)	100-125 mm
Drain channel width (G)	61,5 mm
Flow rate (EN 1253-1)	63 l/min
Outlet pipe diameter	Ø50
Load class (EN 1253-1)	K3 = max. 300 kg
Material – drain body	polypropylene
Material – odour trap	polypropylene
Drain channel length (L)	550, 650, 750, 850 mm

Quantity (packing) APZ12-850	12 pcs
Dimensions (piece) APZ12-850	920×125×150 mm
Weight (piece) APZ12-850	1.5978 kg

Table of size variants for linear shower drains and grids – page 221

**LINE**

Stainless steel-matt



**PURE**

Stainless steel-matt



**CUBE**

Stainless steel-matt



**HOPE**

Stainless steel-matt



**BUBLE**

Stainless steel-matt



**DREAM**

Stainless steel-matt



**SOLID**

Stainless steel-matt



**TILE**

Grid for embedding tiles



**OPTION**

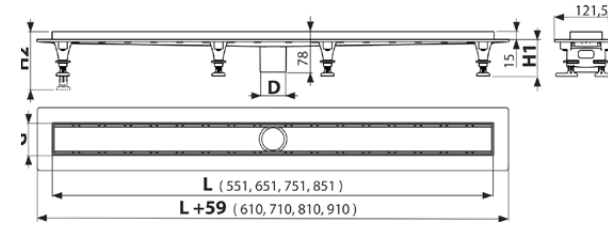
Two-sided grid



Quantity (packing) LINE-850	1 pc
Dimensions (piece) LINE-850	890×20×55 mm
Weight (piece) LINE-850	0.6447 kg

**APZ2012 Optimal**

Shower drain with an edge for perforated grids or tile embedding, without odour trap (550, 650, 750, 850 mm)



**P138**  
Low trap DN50 for shower drains APZ2012, APZ2022



Quantity (packing) 28 pc  
Quantity (pallet) - pcs

**P142**  
Extra-low trap DN40 for shower drains APZ2012, APZ2022



Quantity (packing) 36 pc  
Quantity (pallet) - pcs

<b>APZ2012</b>	
Minimum floor thickness (H1)	85 mm
Total installation height (H2)	100-125 mm
Drain channel width (G)	61,5 mm
Flow rate (EN 1253-1)	>80 l/min
Outlet pipe diameter	Ø50
Load class (EN 1253-1)	K3 = max. 300 kg
Material – drain body	polypropylene
Material – odour trap	polypropylene
Drain channel length (L)	550, 650, 750, 850 mm

Quantity (packing) APZ2012-850	12 pcs
Dimensions (piece) APZ2012-850	920×143×106 mm
Weight (piece) APZ2012-850	1.2807 kg

Table of size variants for linear shower drains and grids – page 221

**LINE**

Stainless steel-matt



**PURE**

Stainless steel-matt



**CUBE**

Stainless steel-matt



**HOPE**

Stainless steel-matt



**BUBLE**

Stainless steel-matt



**DREAM**

Stainless steel-matt



**SOLID**

Stainless steel-matt



**TILE**

Grid for embedding tiles



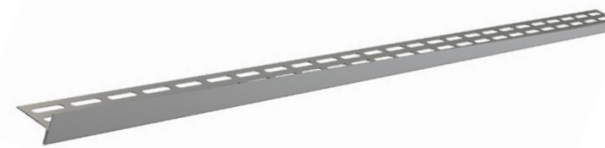
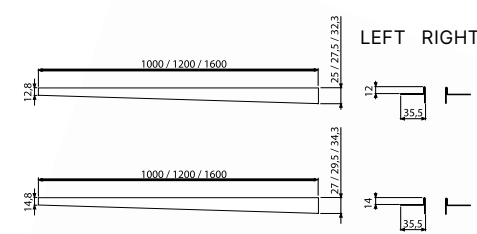
**OPTION**

Two-sided grid



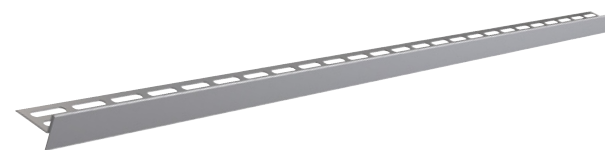
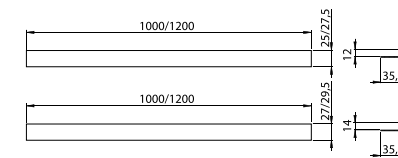
Quantity (packing) LINE-850	1 pc
Dimensions (piece) LINE-850	890×20×55 mm
Weight (piece) LINE-850	0.6447 kg

**Stainless steel strip for sloped floors**



Quantity (packing)	1 pc
Dimensions (piece)	1000×36×27,5 mm
Material	stainless steel DIN 1.4301

**Stainless steel double-sided strip for sloped floors**



Quantity (packing)	1 pc
Dimensions (piece)	1000×36×27 mm
Material	stainless steel DIN 1.4301

Table of variants for stainless steel strips for sloped floor

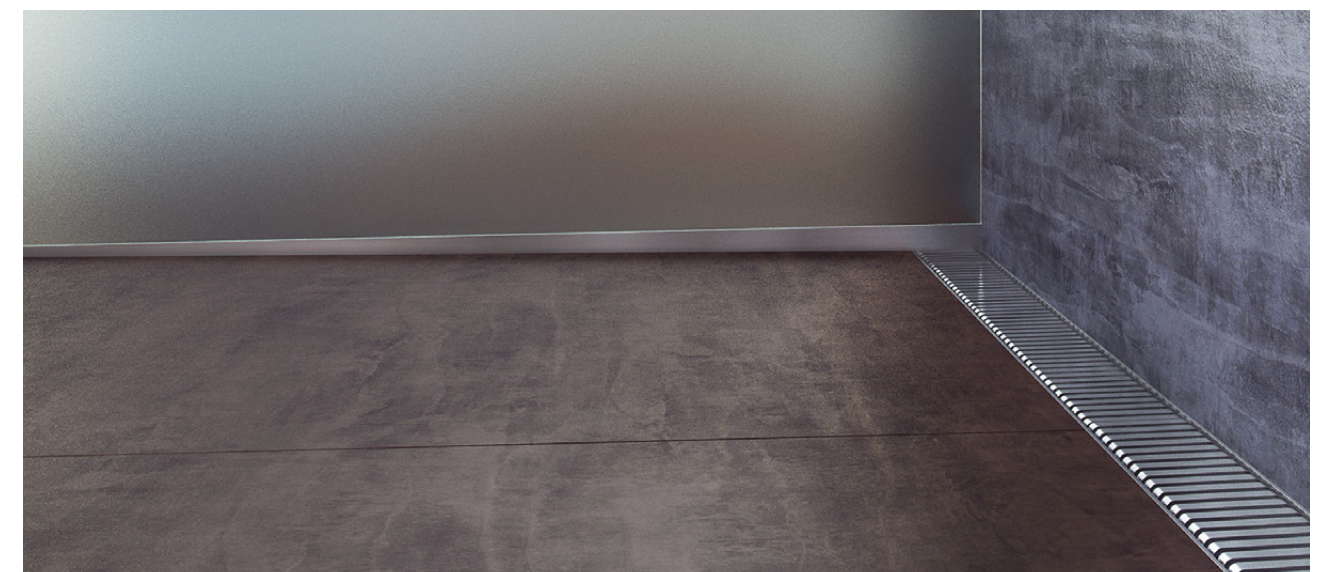
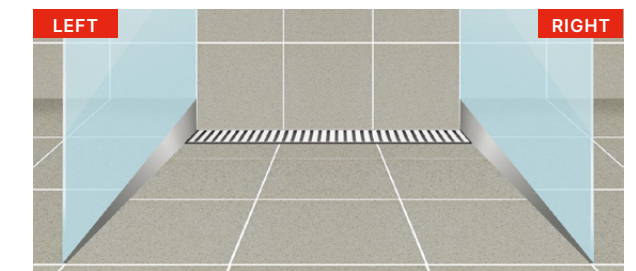
Code	Flange height	Length (mm)	Type	Version
APZ 901M/1000	12	1000	left	matt
APZ 902M/1000	12	1000	right	matt
APZ 903M/1000	14	1000	left	matt
APZ 904M/1000	14	1000	right	matt

APZ 901M/1200	12	1200	left	matt
APZ 902M/1200	12	1200	right	matt
APZ 903M/1200	14	1200	left	matt
APZ 904M/1200	14	1200	right	matt

APZ 901M/1600	12	1600	left	matt
APZ 902M/1600	12	1600	right	matt
APZ 903M/1600	14	1600	left	matt
APZ 904M/1600	14	1600	right	matt

Table of variants for stainless steel strips for sloped floor

Code	Flange height	Length (mm)	Type	Version
APZ 905M/1000	12	1000	double-sided	matt
APZ 905M/1200	12	1200	double-sided	matt
APZ 906M/1000	14	1000	double-sided	matt
APZ 906M/1200	14	1200	double-sided	matt

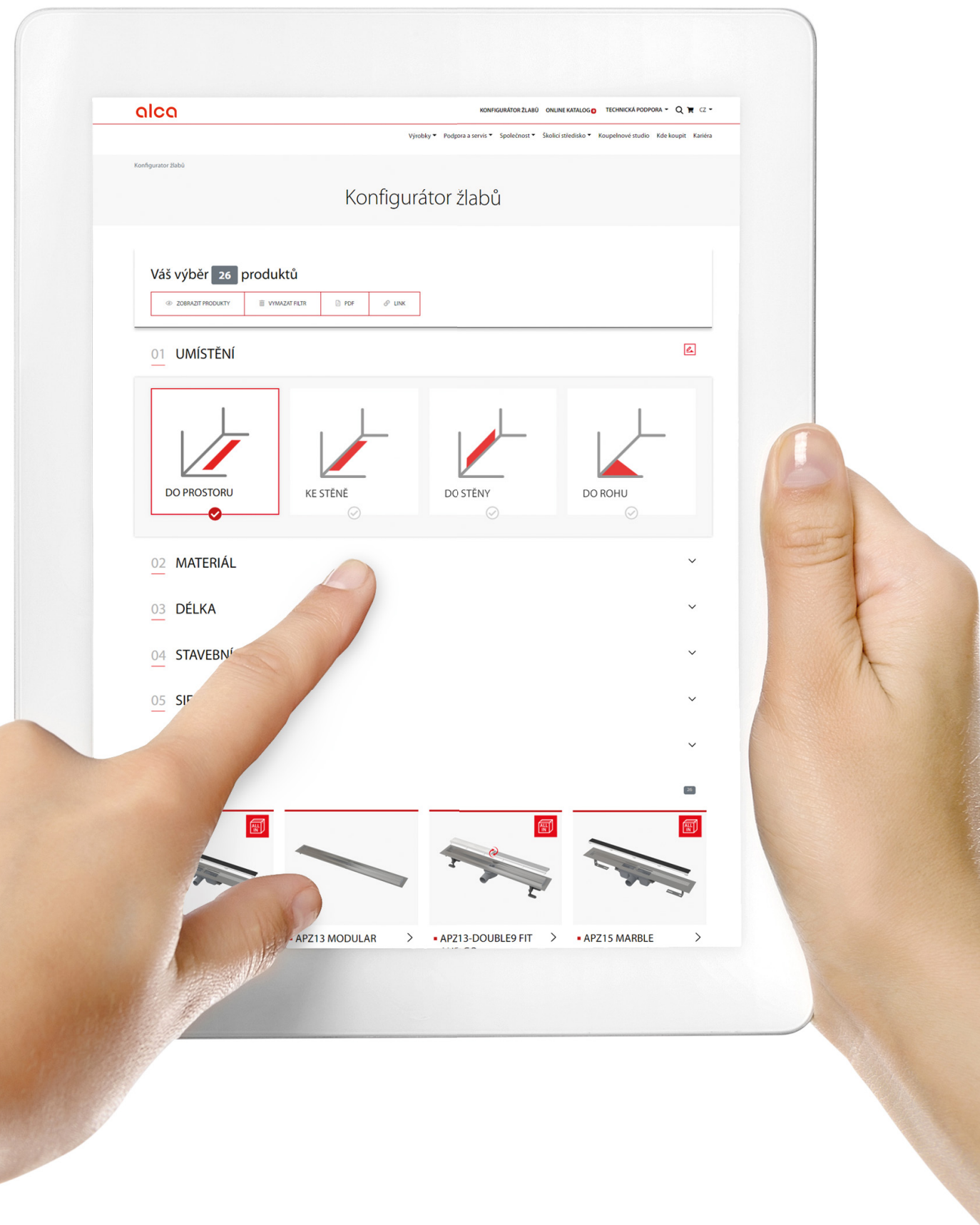




## Shower drain configurator



We have launched a shower drain configurator on our website, which will significantly facilitate orientation in a wide portfolio of Alca shower drains. You are able to quickly find a shower drain suitable for your bathroom by selecting the items in the configurator according to your preferences.







# Tailor made stainless steel products

Industrial point drains	108
Industrial drains with box inlet	109
Industrial slotted drains	113
Drainage channels	116
Swimming pool grates	124

### Industrial point drains

150×150 mm, DN75

**APR3-2110**  
Industrial point drain 150×150, stainless steel AISI 304



Material stainless steel 1,5 mm

**APR3-1110**  
Industrial point drain 150×150, stainless steel AISI 304

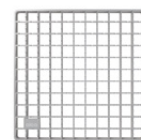
**APR3-1120**  
Industrial point drain 150×150, stainless steel AISI 316L



Material stainless steel 1,5 mm

**APR-R21-150-150**  
Cover grid for point drain 150×150, stainless steel AISI 304

**APR-R22-150-150**  
Cover grid for point drain 150×150, stainless steel AISI 316L



Material stainless steel 2 mm

**APR-R31-150-150**  
Cover grid for point drain 150×150, stainless steel AISI 304

**APR-R32-150-150**  
Cover grid for point drain 150×150, stainless steel AISI 316L



Material stainless steel 3 mm

200×200 mm, DN110

**APR4-2111**  
Industrial point drain 200×200, stainless steel AISI 304



Material stainless steel 1,5 mm

**APR4-1111**  
Industrial point drain 200×200, stainless steel AISI 304

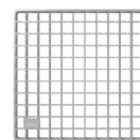
**APR4-1121**  
Industrial point drain 200×200, stainless steel AISI 316L



Material stainless steel 1,5 mm

**APR-R21-200-200**  
Cover grid for point drain 200×200, stainless steel AISI 304

**APR-R22-200-200**  
Cover grid for point drain 200×200, stainless steel AISI 316L



Material stainless steel 2 mm

**APR-R31-200-200**  
Cover grid for point drain 200×200, stainless steel AISI 304

**APR-R32-200-200**  
Cover grid for point drain 200×200, stainless steel AISI 316L



Material stainless steel 3 mm

300×300 mm, DN160/110

**APR5-2111**  
Industrial point drain 300×300, stainless steel AISI 304



DN160

Material stainless steel 1,5 mm

**APR5-1111**  
Industrial point drain 300×300, stainless steel AISI 304

**APR5-1121**  
Industrial point drain 300×300, stainless steel AISI 316L

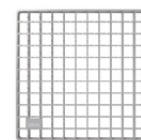


DN110

Material stainless steel 1,5 mm

**APR-R21-300-300**  
Cover grid for point drain 300×300, stainless steel AISI 304

**APR-R22-300-300**  
Cover grid for point drain 300×300, stainless steel AISI 316L



Material stainless steel 2 mm

**APR-R31-300-300**  
Cover grid for point drain 300×300, stainless steel AISI 304

**APR-R32-300-300**  
Cover grid for point drain 300×300, stainless steel AISI 316L



Material stainless steel 3 mm

### Industrial box point drains – end piece or mid-continuous channel piece

Width 135 mm, DN110

**APR6-2311-135**  
Industrial point drain with box inlet 250×250-135, stainless steel AISI 304



L – 375 mm

Material stainless steel 1,5 mm

**APR6-1311-135-L**  
**APR6-1311-135-P**  
Industrial point drain with box inlet 250×250-135, stainless steel AISI 304

**APR6-1321-135-L**  
**APR6-1321-135-P**  
Industrial point drain with box inlet 250×250-135, stainless steel AISI 316L

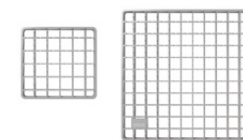


L – 375 mm

Material stainless steel 1,5 mm

**APR-R21-250-250-1**  
Cover grid for point drain with box inlet APR6, stainless steel AISI 304

**APR-R22-250-250-1**  
Cover grid for point drain with box inlet APR6, stainless steel AISI 316L



Material stainless steel 2 mm

**APR-R31-250-250-1**  
Cover grid for point drain with box inlet APR6, stainless steel AISI 304

**APR-R32-250-250-1**  
Cover grid for point drain with box inlet APR6, stainless steel AISI 316L



Material stainless steel 3 mm

Width 135 mm, DN110

**APR6-2211-135**  
Industrial point drain with box inlets 250×250-135, stainless steel AISI 304



L – 500 mm

Material stainless steel 1,5 mm

**APR6-1211-135**  
Industrial point drain with box inlets 250×250-135, stainless steel AISI 304

**APR6-1221-135**  
Industrial point drain with box inlets 250×250-135, stainless steel AISI 316L

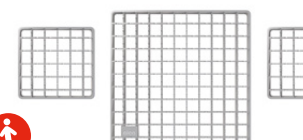


L – 500 mm

Material stainless steel 1,5 mm

**APR-R21-130-135-2**  
Cover grid for point drain with box inlets APR6, stainless steel AISI 304

**APR-R22-130-135-2**  
Cover grid for point drain with box inlets APR6, stainless steel AISI 316L



Material stainless steel 2 mm

**APR-R31-130-135-2**  
Cover grid for point drain with box inlets APR6, stainless steel AISI 304

**APR-R32-130-135-2**  
Cover grid for point drain with box inlets APR6, stainless steel AISI 316L



Material stainless steel 3 mm

Width 210 mm, DN110

**APR6-2211-210**  
Industrial point drain with box inlets 250×250-210, stainless steel AISI 304



L – 1000 mm

Material stainless steel 1,5 mm

**APR6-1211-210**  
Industrial point drain with box inlets 250×250-210, stainless steel AISI 304

**APR6-1221-210**  
Industrial point drain with box inlets 250×250-210, stainless steel AISI 316L

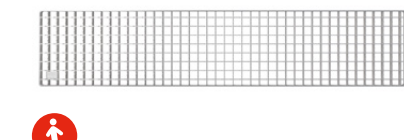


L – 1000 mm

Material stainless steel 1,5 mm

**APR-R21-1000-210**  
Cover grid for box drain 1 m, stainless steel AISI 304

**APR-R22-1000-210**  
Cover grating for box drain 1 m, stainless steel AISI 316L



Material stainless steel 2 mm

**APR-R31-1000-210**  
Cover grid for box drain 1 m, stainless steel AISI 304

**APR-R32-1000-210**  
Cover grid for box drain 1 m, stainless steel AISI 316L



Material stainless steel 3 mm

DN110 – nominal dimension related to the outer diameter (outer diameter of the pipe is 110 mm)

DN110 – nominal dimension related to the outer diameter (outer diameter of the pipe is 110 mm)

### Industrial box drains 1 m

Width 135 mm

**APR6-0211-135**  
Industrial box drain 1 m, stainless steel AISI 304

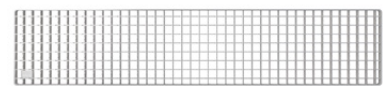
**APR6-0221-135**  
Industrial box drain 1 m, stainless steel AISI 316L



Material stainless steel 1,5 mm

**APR-R21-1000-135**  
Cover grid for box drain 1 m, stainless steel AISI 304

**APR-R22-1000-135**  
Cover grid for box drain 1 m, stainless steel AISI 316L



Material stainless steel 2 mm

**APR-R31-1000-135**  
Cover grid for box drain 1 m, stainless steel AISI 304

**APR-R32-1000-135**  
Cover grid for box drain 1 m, stainless steel AISI 316L



Material stainless steel 3 mm

Width 210 mm

**APR6-0211-210**  
Industrial box drain 1 m, stainless steel AISI 304

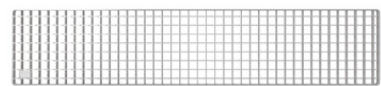
**APR6-0221-210**  
Industrial box drain 1 m, stainless steel AISI 316L



Material stainless steel 1,5 mm

**APR-R21-1000-210**  
Cover grid for box drain 1 m, stainless steel AISI 304

**APR-R22-1000-210**  
Cover grid for box drain 1 m, stainless steel AISI 316L



Material stainless steel 2 mm

**APR-R31-1000-210**  
Cover grid for box drain 1 m, stainless steel AISI 304

**APR-R32-1000-210**  
Cover grid for box drain 1 m, stainless steel AISI 316L



Material stainless steel 3 mm

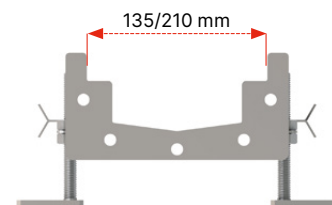
Sloped

**TAILOR MADE PRODUCTS**

**APR6-ATYP-S**  
Industrial sloped box drain 1 m, stainless steel AISI 304 / AISI 316L



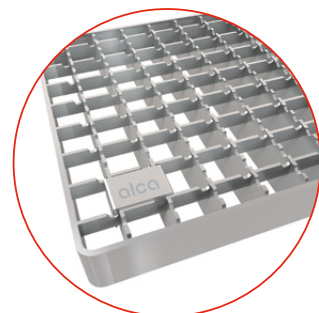
Material stainless steel 1,5 mm



Industrial drains with a slope can be configured to a maximum length of 12 meters in a single line as part of the tailor made production.

Delivery times are based on individual quotes.

**Mesh cover grating**



### Industrial corner box drains 1x1 m

Width 135 mm

**APR6-0211-135R**  
Industrial corner box drain 1 m, stainless steel AISI 304

**APR6-0221-135R**  
Industrial corner box drain 1 m, stainless steel AISI 316L



Material stainless steel 1,5 mm

**APR-R21-1000-135**  
Cover grid for box drain 1 m, stainless steel AISI 304

**APR-R21-865-135**  
Cover grid for corner box drain, stainless steel AISI 304

**APR-R22-1000-135**  
Cover grid for box drain 1 m, stainless steel AISI 316L

**APR-R22-865-135**  
Cover grid for corner box drain, stainless steel AISI 316L



Material stainless steel 2 mm

**APR-R31-1000-135**  
Cover grid for box drain 1 m, stainless steel AISI 304

**APR-R31-865-135**  
Cover grid for corner box drain, stainless steel AISI 304

**APR-R32-1000-135**  
Cover grid for box drain 1 m, stainless steel AISI 316L

**APR-R32-865-135**  
Cover grid for corner box drain, stainless steel AISI 316L



Material stainless steel 3 mm

Width 210 mm

**APR6-0211-210R**  
Industrial corner box drain, 1 m, stainless steel AISI 304

**APR6-0221-210R**  
Industrial corner box drain 1 m, stainless steel AISI 316L



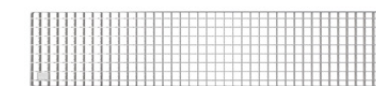
Material stainless steel 1,5 mm

**APR-R21-1000-210**  
Cover grid for box drain 1 m, stainless steel AISI 304

**APR-R21-790-210**  
Cover grid for corner box drain, stainless steel AISI 304

**APR-R22-1000-210**  
Cover grid for box drain 1 m, stainless steel AISI 316L

**APR-R22-790-210**  
Cover grid for corner box drain, stainless steel AISI 316L



Material stainless steel 2 mm

**APR-R31-1000-210**  
Cover grid for box drain 1 m, stainless steel AISI 304

**APR-R31-790-210**  
Cover grid for corner box drain, stainless steel AISI 304

**APR-R32-1000-210**  
Cover grid for box drain 1 m, stainless steel AISI 316L

**APR-R32-790-210**  
Cover grid for corner box drain, stainless steel AISI 316L



Material stainless steel 3 mm

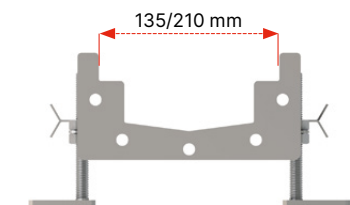
Sloped

**TAILOR MADE PRODUCTS**

**APR6-ATYP-SR**  
Industrial corner sloped box drain 1 m, stainless steel AISI 304 / AISI 316L



Material stainless steel 1,5 mm



Industrial corner drains with a slope can be configured following the system of the sloped drainage as per bespoke project specification.

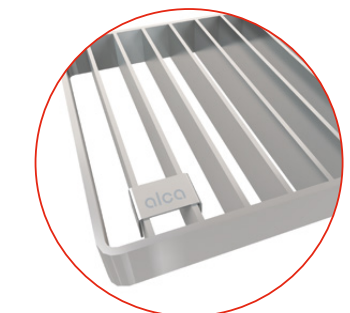
Delivery times are based on individual quotes.

Always use 2 length variants of the grid for the assembly of the industrial corner box drain:

**APR-RXX-1000-135 + APR-RXX-865-135**

**APR-RXX-1000-210 + APR-RXX-790-210**




**Grill cover grating**



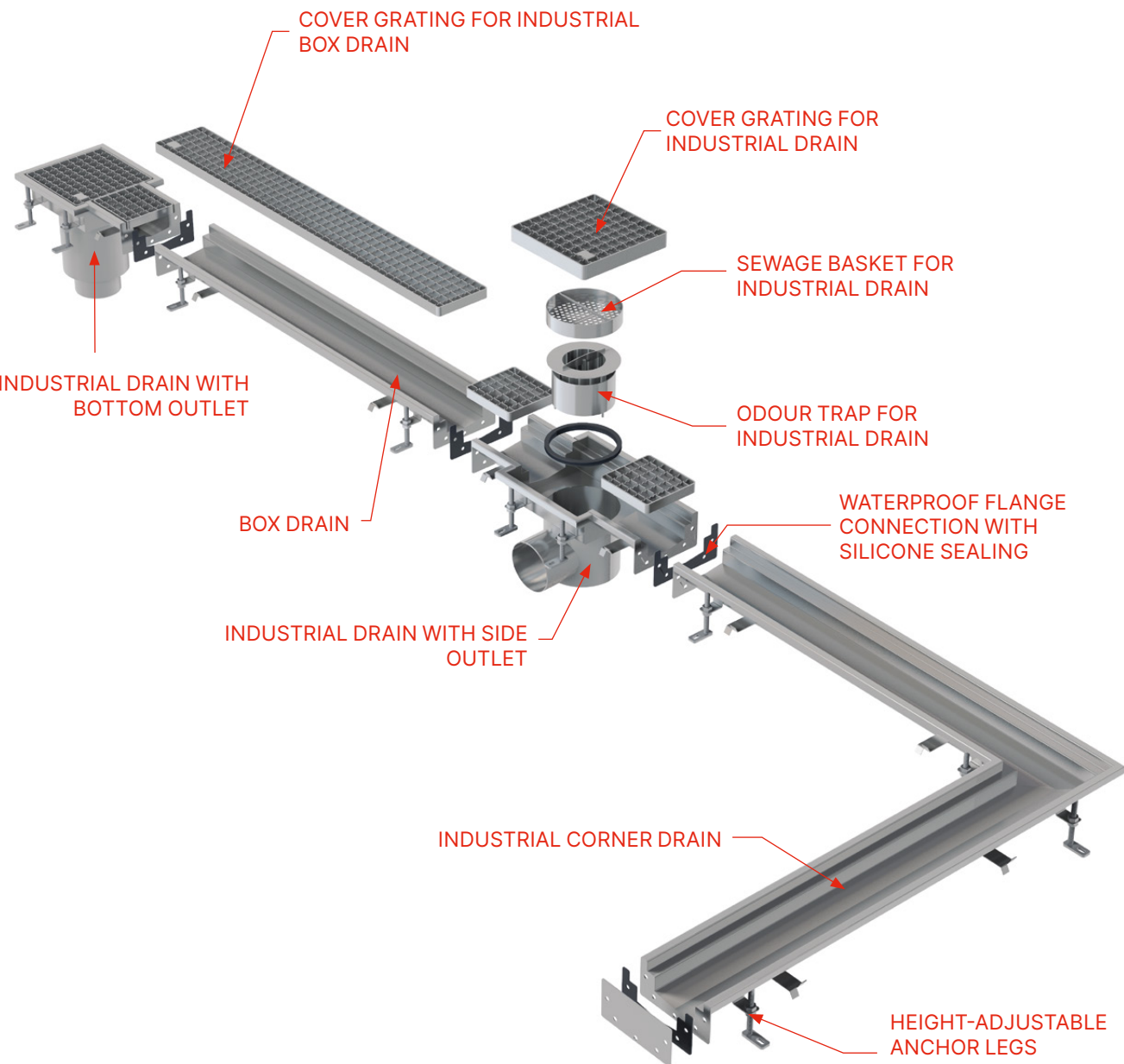
Tailor made stainless steel products



Accessories for the industrial box drains

Width 135 mm	Width 210 mm	Sloped
<p><b>APR6-P101-135</b> End cap for box drain 135, stainless steel AISI 304</p> <p><b>APR6-P201-135</b> End cap for box drain 135, stainless steel AISI 316L</p> 	<p><b>APR6-P101-210</b> End cap for box drain 210, stainless steel AISI 304</p> <p><b>APR6-P201-210</b> End cap for box drain 210, stainless steel AISI 316L</p> 	<p><b>TAILOR MADE PRODUCTS</b></p> <p><b>APR6-P-ATYP-S</b> End cap for sloped box drain, stainless steel AISI 304 / AISI 316L</p> 
Material stainless steel 2 mm	Material stainless steel 2 mm	Material stainless steel 2 mm

Modular system of industrial box drainage



COVER GRATING FOR INDUSTRIAL BOX DRAIN

COVER GRATING FOR INDUSTRIAL DRAIN

SEWAGE BASKET FOR INDUSTRIAL DRAIN

INDUSTRIAL DRAIN WITH BOTTOM OUTLET

BOX DRAIN

INDUSTRIAL DRAIN WITH SIDE OUTLET

INDUSTRIAL CORNER DRAIN

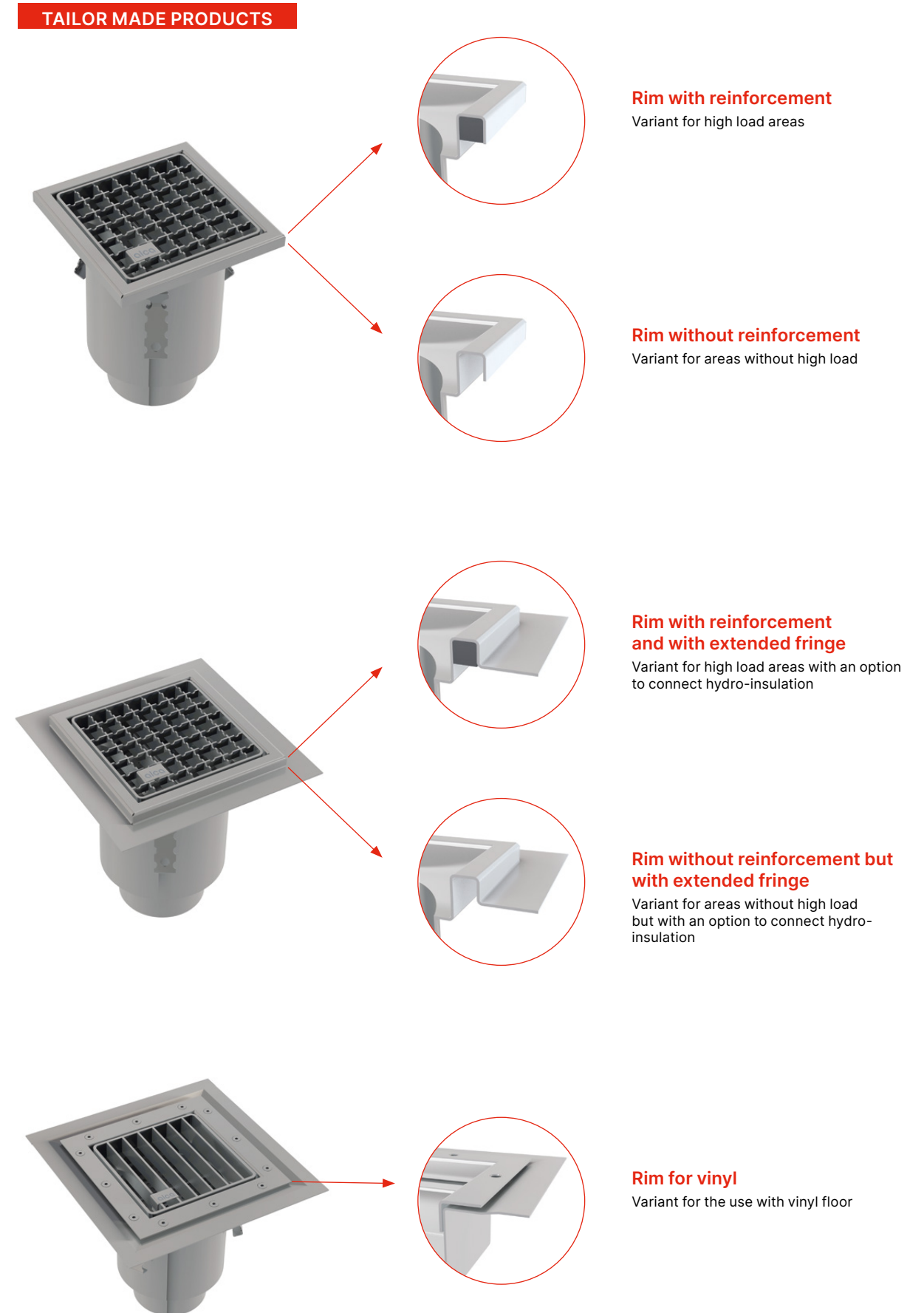
HEIGHT-ADJUSTABLE ANCHOR LEGS

ODOUR TRAP FOR INDUSTRIAL DRAIN

WATERPROOF FLANGE CONNECTION WITH SILICONE SEALING

Rim solution options for the modular industrial box drainage system and the slotted drainage system

**TAILOR MADE PRODUCTS**



**Rim with reinforcement**  
Variant for high load areas




**Rim without reinforcement**  
Variant for areas without high load


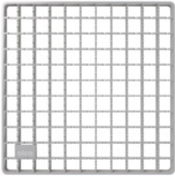

**Rim with reinforcement and with extended fringe**  
Variant for high load areas with an option to connect hydro-insulation

**Rim without reinforcement but with extended fringe**  
Variant for areas without high load but with an option to connect hydro-insulation




**Rim for vinyl**  
Variant for the use with vinyl floor

**Slotted point drains – end piece or mid-continuous channel piece**

250×250 mm, DN110	250×250 mm, DN110	250×250 mm, DN110
<p><b>APR7-2311-20</b> Industrial point drain with slot inlet 250×250, stainless steel AISI 304</p> <p><b>APR7-2321-20</b> Industrial point drain with slot inlet 250×250, stainless steel AISI 316L</p>  <p style="text-align: center;"><b>L – 375 mm</b></p> <p>Material stainless steel 1,5 mm</p>	<p><b>APR7-2211-20</b> Industrial point drain with slot inlets 250×250, stainless steel AISI 304</p> <p><b>APR7-2221-20</b> Industrial point drain with slot inlets 250×250, stainless steel AISI 316L</p>  <p style="text-align: center;"><b>L – 500 mm</b></p> <p>Material stainless steel 1,5 mm</p>	<p><b>APR7-1211-20</b> Industrial point drain with slot inlets 250×250, stainless steel AISI 304</p> <p><b>APR7-1221-20</b> Industrial point drain with slot inlets 250×250, stainless steel AISI 316L</p>  <p style="text-align: center;"><b>L – 500 mm</b></p> <p>Material stainless steel 1,5 mm</p>

<p><b>APR7-1311-20-L</b> <b>APR7-1311-20-P</b> Industrial point drain with slot inlet 250×250, stainless steel AISI 304</p> <p><b>APR7-1321-20-L</b> <b>APR7-1321-20-P</b> Industrial point drain with slot inlet 250×250, stainless steel AISI 316L</p>  <p style="text-align: center;"><b>L – 375 mm</b></p> <p>Material stainless steel 1,5 mm</p>	<p><b>APR-R21-250-250</b> Cover grid for point drains APR7, stainless steel AISI 304</p> <p><b>APR-R22-250-250</b> Cover grid for point drains APR7, stainless steel AISI 316L</p>  <p>Material stainless steel 2 mm</p>	<p><b>APR-R31-250-250</b> Cover grid for point drains APR7, stainless steel AISI 304</p> <p><b>APR-R32-250-250</b> Cover grid for point drains APR7, stainless steel AISI 316L</p>  <p>Material stainless steel 3 mm</p>
--	---	---

**Industrial slotted drains 1 m linear and industrial corner slotted drains 1×1 m**

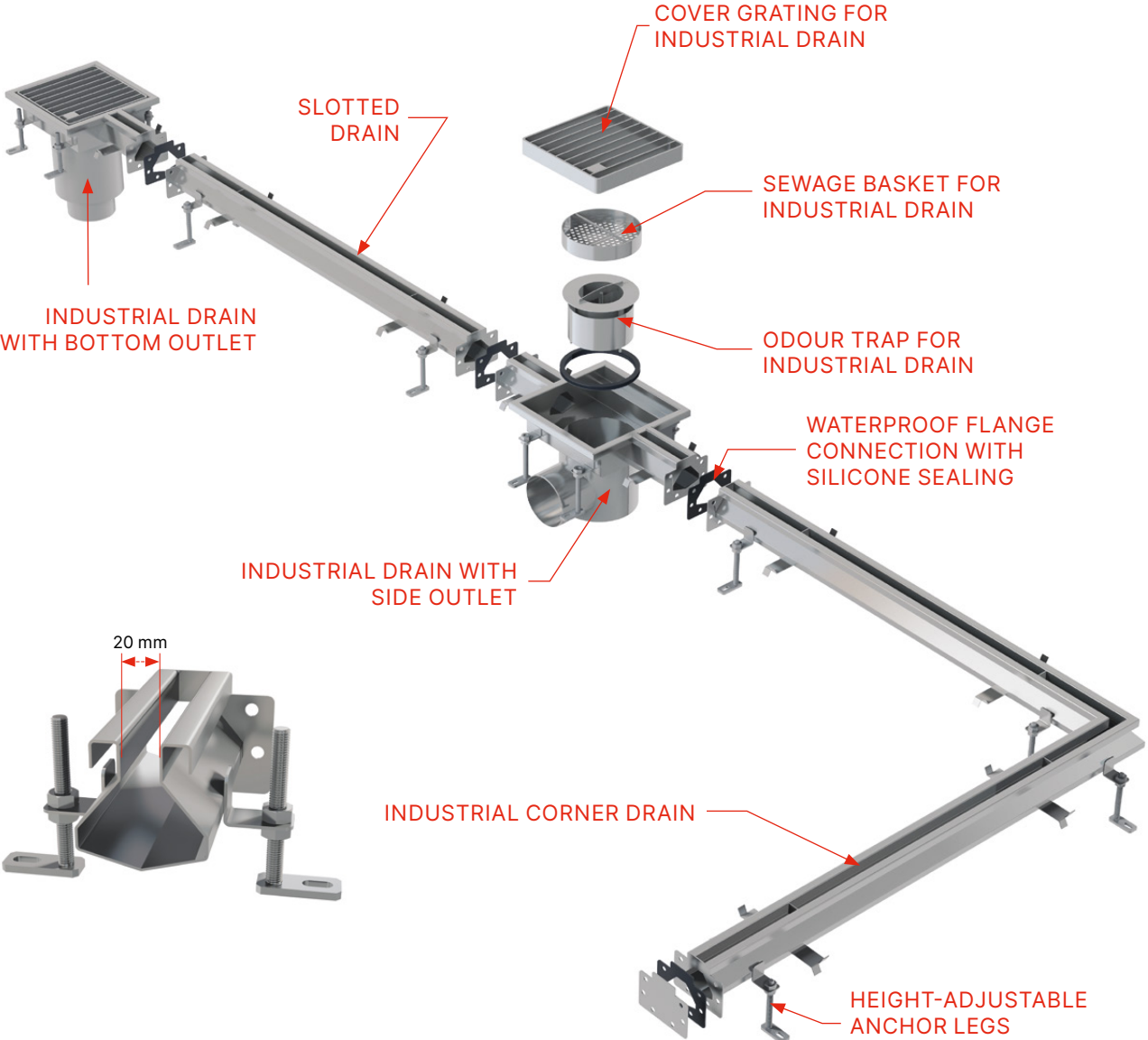
Width 20 mm	Width 20 mm	Width 20 mm
<p><b>APR7-0211-20R</b> Industrial corner slotted drain 1 m, stainless steel AISI 304</p> <p><b>APR7-0221-20R</b> Industrial corner slotted drain 1 m, stainless steel AISI 316L</p>  <p>Material stainless steel 1,5 mm</p>	<p><b>APR7-0211-20</b> Industrial slotted drain 1 m, stainless steel AISI 304</p> <p><b>APR7-0221-20</b> Industrial slotted drain 1 m, stainless steel AISI 316L</p>  <p>Material stainless steel 1,5 mm</p>	<p><b>APR7-P101-20</b> End cap for slotted drain, stainless steel AISI 304</p> <p><b>APR7-P102-20</b> End cap for slotted drain, stainless steel AISI 316L</p>  <p>Material stainless steel 2 mm</p>

DN110 – nominal dimension related to the outer diameter (outer diameter of the pipe is 110 mm)

**Industrial slotted drains 1 m linear and industrial corner slotted drains 1×1 m**

Sloped, width 20 mm	Sloped, width 20 mm	Sloped, width 20 mm
<b>TAILOR MADE PRODUCTS</b>	<b>TAILOR MADE PRODUCTS</b>	<b>TAILOR MADE PRODUCTS</b>
<p><b>APR7-ATYP-20SR</b> Industrial corner sloped slotted drain 1 m, stainless steel AISI 304 / AISI 316L</p>  <p>Material stainless steel 1,5 mm</p>	<p><b>APR7-ATYP-20S</b> Industrial sloped slotted drain 1 m, stainless steel AISI 304 / AISI 316L</p>  <p>Material stainless steel 1,5 mm</p>	<p><b>APR7-P-ATYP-20S</b> End cap for sloped slotted drain, stainless steel AISI 304 / AISI 316L</p>  <p>Material stainless steel 2 mm</p>

**Modular system of industrial slotted drainage**



COVER GRATING FOR INDUSTRIAL DRAIN

SLOTTED DRAIN

INDUSTRIAL DRAIN WITH BOTTOM OUTLET

SEWAGE BASKET FOR INDUSTRIAL DRAIN

ODOUR TRAP FOR INDUSTRIAL DRAIN

WATERPROOF FLANGE CONNECTION WITH SILICONE SEALING

INDUSTRIAL DRAIN WITH SIDE OUTLET

INDUSTRIAL CORNER DRAIN

HEIGHT-ADJUSTABLE ANCHOR LEGS

20 mm

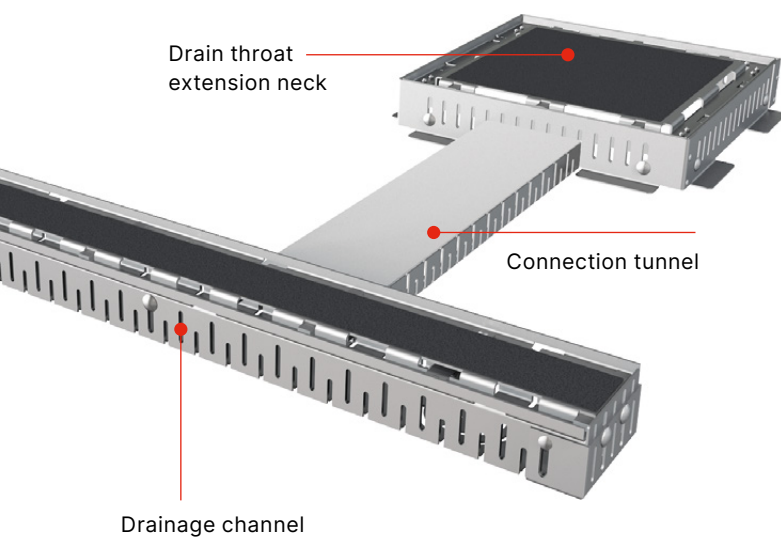
Tailor made stainless steel products



# Drainage channel with a grid for embedding tiles or stone

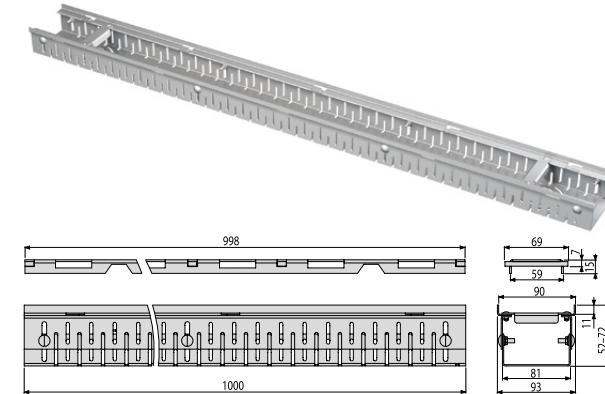


Drainage channels are suitable along facades on roof and ground terraces, in stonework greenery or walkways. The drainage system is linear with the possibility of connecting in the transverse and longitudinal direction.



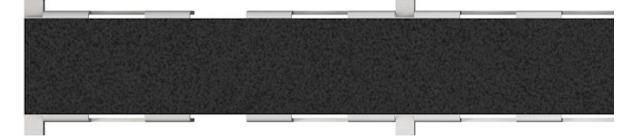
- Visually clean solution for terrace drainage system
- The width of the inlet slot is only 8 mm
- Height-adjustable
- The possibility of producing atypical solutions
- Galvanized or stainless steel solution

**ADZ104V-1000**  
Drainage channel 100 mm adjustable + Grid for embedding tiles, galvanized steel



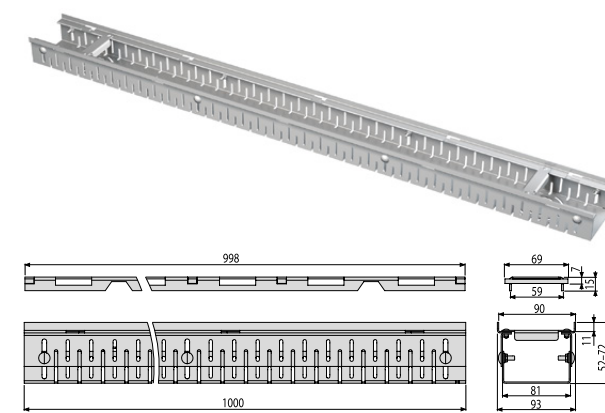
Quantity (packing) 1 pc  
Quantity (pallet) - pcs  
Material galvanized steel

**ADZ104V-1000**  
Grid for embedding tiles – The grid is included



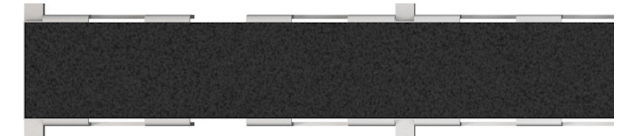
 All in package

**ADZ304V-1000**  
Drainage channel 100 mm adjustable + Grid for embedding tiles, stainless steel



Quantity (packing) 1 pc  
Quantity (pallet) - pcs  
Material stainless steel

**ADZ304V-1000**  
Grid for embedding tiles – The grid is included



 All in package

**ADZ-PT101**  
Connection tunnel, galvanized steel

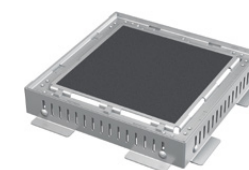
**ADZ-PT301**  
Connection tunnel, stainless steel



Quantity (packing) -  
Quantity (pallet) -  
Material galvanized steel/stainless steel

**ADZ-NA101**  
Drain throat extension neck + Grid for embedding tiles 300x300, galvanized steel

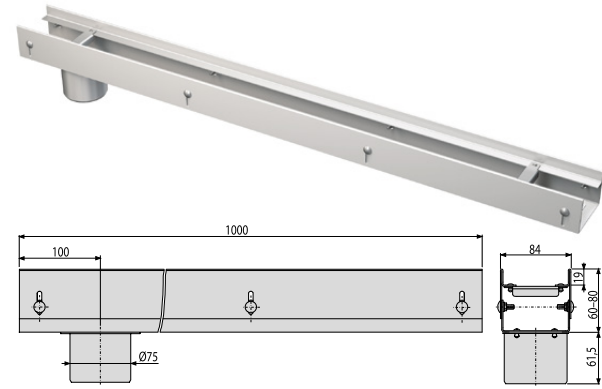
**ADZ-NA301**  
Drain throat extension neck + Grid for embedding tiles 300x300, stainless steel



Quantity (packing) -  
Quantity (pallet) -  
Material galvanized steel/stainless steel

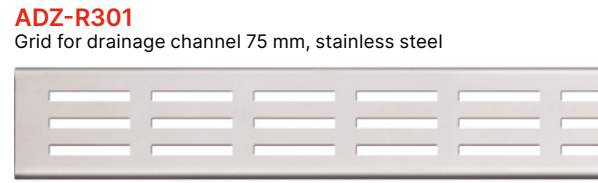


**ADZ351V**  
Drainage channel 75 mm adjustable, stainless steel



Quantity (packing)	1 pc
Quantity (pallet)	- pcs
Material	stainless steel

**ADZ-R101**  
Grid for drainage channel 75 mm, galvanized steel



**ADZ-R102**  
Grid for drainage channel 75 mm, galvanized steel



**ADZ-R302**  
Grid for drainage channel 75 mm, stainless steel



**ADZ-R103**  
Grid for drainage channel 75 mm, galvanized steel



**ADZ-R303**  
Grid for drainage channel 75 mm, stainless steel



**ADZ-R304**  
Grid for drainage channel 75 mm, stainless steel



**ADZ-P007**  
Coupler for drainage channel 75 mm, galvanized steel

**ADZ-P005**  
Coupler for drainage channel 75 mm, stainless steel



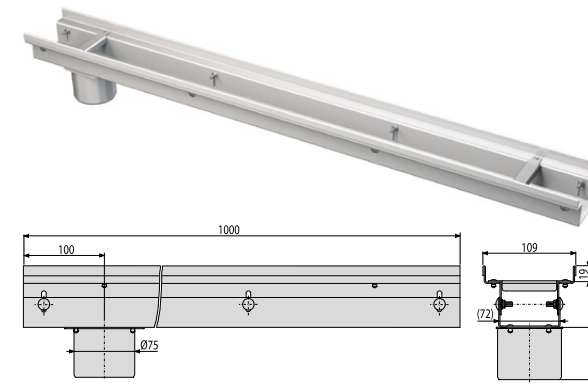
Quantity (packing)	-
Quantity (pallet)	-
Material	galvanized steel/stainless steel

**ADZ-P011**  
End cap for drainage channel 75 mm, stainless steel



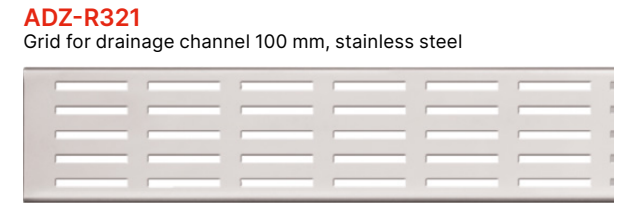
Quantity (packing)	-
Quantity (pallet)	-
Material	stainless steel

**ADZ352V**  
Drainage channel 100 mm adjustable, stainless steel

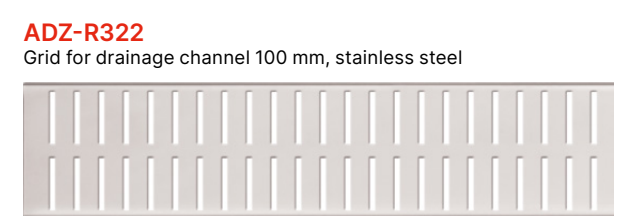


Quantity (packing)	1 pc
Quantity (pallet)	- pcs
Material	stainless steel

**ADZ-R121**  
Grid for drainage channel 100 mm, galvanized steel



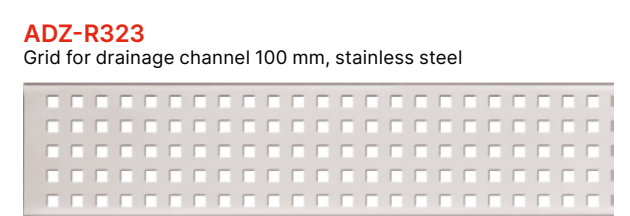
**ADZ-R122**  
Grid for drainage channel 100 mm, galvanized steel



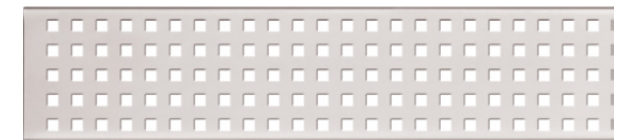
**ADZ-R322**  
Grid for drainage channel 100 mm, stainless steel



**ADZ-R123**  
Grid for drainage channel 100 mm, galvanized steel



**ADZ-R323**  
Grid for drainage channel 100 mm, stainless steel



**ADZ-R324**  
Grid for drainage channel 100 mm, stainless steel



**ADZ-P008**  
Coupler for drainage channel 100 mm, galvanized steel

**ADZ-P006**  
Coupler for drainage channel 100 mm, stainless steel



Quantity (packing)	-
Quantity (pallet)	-
Material	galvanized steel/stainless steel

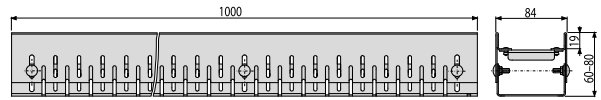
**ADZ-P012**  
End cap for drainage channel 100 mm, stainless steel



Quantity (packing)	-
Quantity (pallet)	-
Material	stainless steel

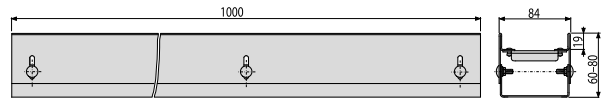
**ADZ101V**  
Drainage channel 75 mm adjustable, galvanized steel

**ADZ301V**  
Drainage channel 75 mm adjustable, stainless steel



Quantity (packing) 1 pc  
Quantity (pallet) 100 pcs  
Material galvanized steel/stainless steel

**ADZ331V**  
Drainage channel 75 mm adjustable, stainless steel



Quantity (packing) 1 pc  
Quantity (pallet) 100 pcs  
Material stainless steel

**ADZ-R101**  
Grid for drainage channel 75 mm, galvanized steel

**ADZ-R301**  
Grid for drainage channel 75 mm, stainless steel



**ADZ-R102**  
Grid for drainage channel 75 mm, galvanized steel

**ADZ-R302**  
Grid for drainage channel 75 mm, stainless steel



**ADZ-R103**  
Grid for drainage channel 75 mm, galvanized steel

**ADZ-R303**  
Grid for drainage channel 75 mm, stainless steel

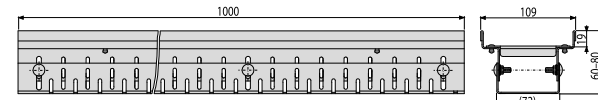


**ADZ-R304**  
Grid for drainage channel 75 mm, stainless steel



**ADZ102V**  
Drainage channel 100 mm adjustable, galvanized steel

**ADZ302V**  
Drainage channel 100 mm adjustable, stainless steel



Quantity (packing) 1 pc  
Quantity (pallet) 100 pcs  
Material galvanized steel/stainless steel

**ADZ332V**  
Drainage channel 100 mm adjustable, stainless steel



Quantity (packing) 1 pc  
Quantity (pallet) - pcs  
Material stainless steel

**ADZ-R121**  
Grid for drainage channel 100 mm, galvanized steel

**ADZ-R321**  
Grid for drainage channel 100 mm, stainless steel



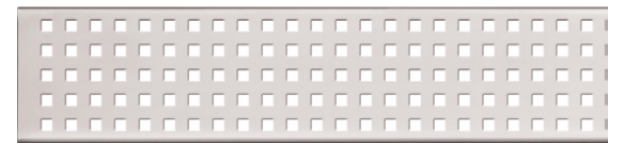
**ADZ-R122**  
Grid for drainage channel 100 mm, galvanized steel

**ADZ-R322**  
Grid for drainage channel 100 mm, stainless steel



**ADZ-R123**  
Grid for drainage channel 100 mm, galvanized steel

**ADZ-R323**  
Grid for drainage channel 100 mm, stainless steel



**ADZ-R324**  
Grid for drainage channel 100 mm, stainless steel



**ADZ-P003**  
End cap for drainage channel 75 mm, galvanized steel

**ADZ-P007**  
Coupler for drainage channel 75 mm, galvanized steel

**ADZ-P001**  
End cap for drainage channel 75 mm, stainless steel

**ADZ-P005**  
Coupler for drainage channel 75 mm, stainless steel

**ADZ-P011**  
End cap for drainage channel 75 mm, stainless steel

**ADZ-P004**  
End cap for drainage channel 100 mm, galvanized steel

**ADZ-P008**  
Coupler for drainage channel 100 mm, galvanized steel

**ADZ-P002**  
End cap for drainage channel 100 mm, stainless steel

**ADZ-P006**  
Coupler for drainage channel 100 mm, stainless steel

**ADZ-P012**  
End cap for drainage channel 100 mm, stainless steel



Quantity (packing) -  
Quantity (pallet) -  
Material galvanized steel/  
stainless steel



Quantity (packing) -  
Quantity (pallet) -  
Material galvanized  
steel/stainless steel



Quantity (packing) -  
Quantity (pallet) -  
Material stainless steel



Quantity (packing) -  
Quantity (pallet) -  
Material galvanized  
steel/stainless steel



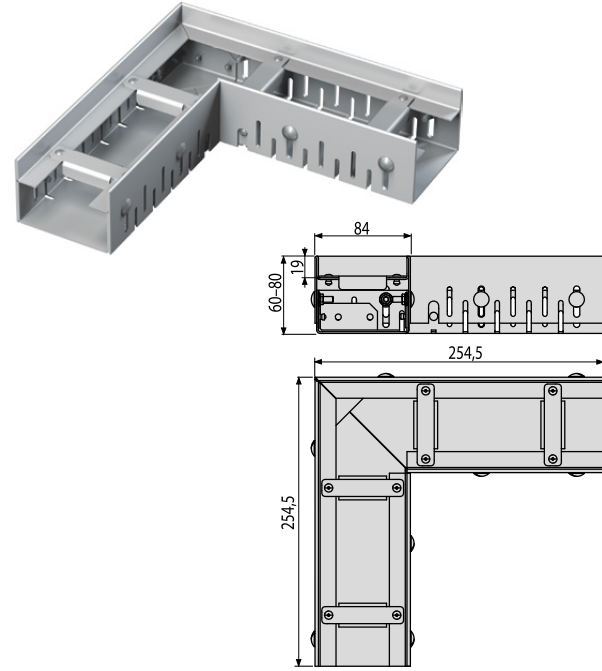
Quantity (packing) -  
Quantity (pallet) -  
Material galvanized  
steel/stainless steel



Quantity (packing) -  
Quantity (pallet) -  
Material stainless steel

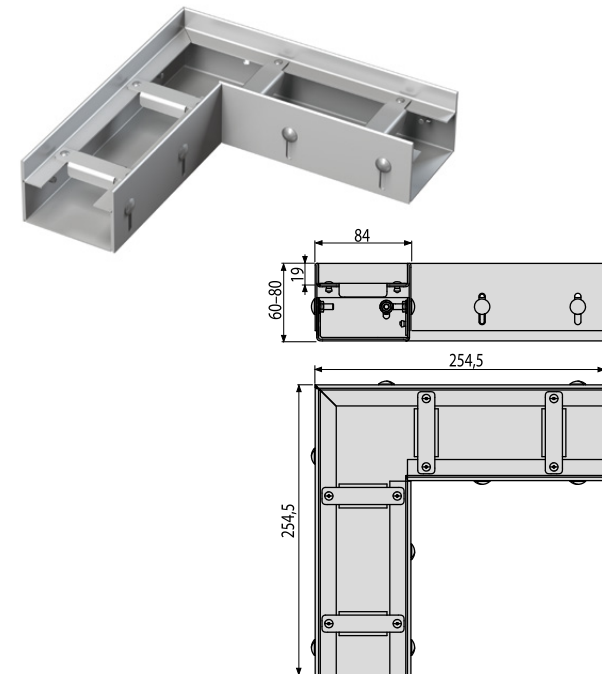
**ADZ101VR**  
Drainage corner channel 75 mm adjustable, galvanized steel

**ADZ301VR**  
Drainage corner channel 75 mm adjustable, stainless steel



Quantity (packing) 1 pc  
Quantity (pallet) 100 pcs  
Material galvanized steel/stainless steel

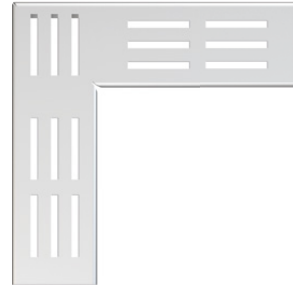
**ADZ331VR**  
Drainage corner channel 75 mm adjustable, stainless steel



Quantity (packing) 1 pc  
Quantity (pallet) 100 pcs  
Material galvanized steel/stainless steel

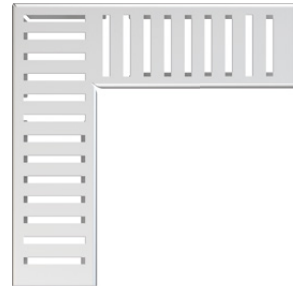
**ADZ-R101R**  
Grid for drainage corner channel 75 mm, galvanized steel

**ADZ-R301R**  
Grid for drainage corner channel 75 mm, stainless steel



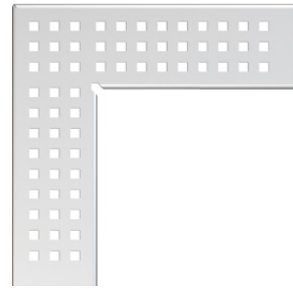
**ADZ-R102R**  
Grid for drainage corner channel 75 mm, galvanized steel

**ADZ-R302R**  
Grid for drainage corner channel 75 mm, stainless steel

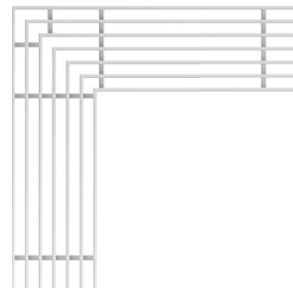


**ADZ-R103R**  
Grid for drainage corner channel 75 mm, galvanized steel

**ADZ-R303R**  
Grid for drainage corner channel 75 mm, stainless steel

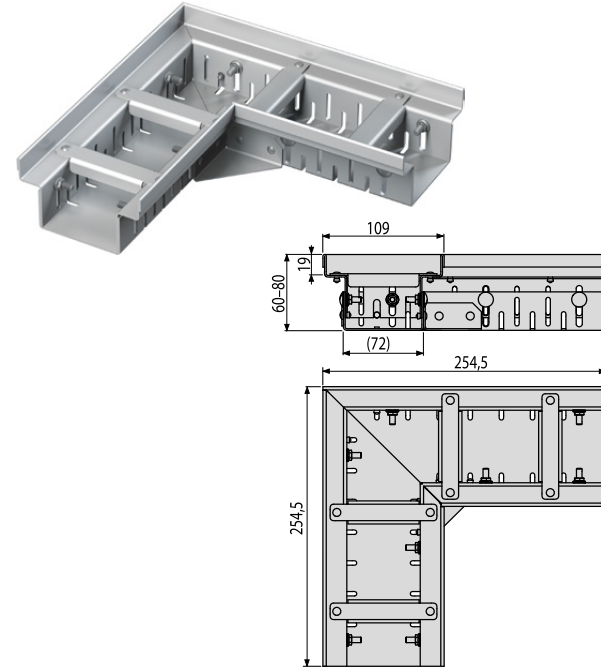


**ADZ-R304R**  
Grid for drainage corner channel 75 mm, stainless steel



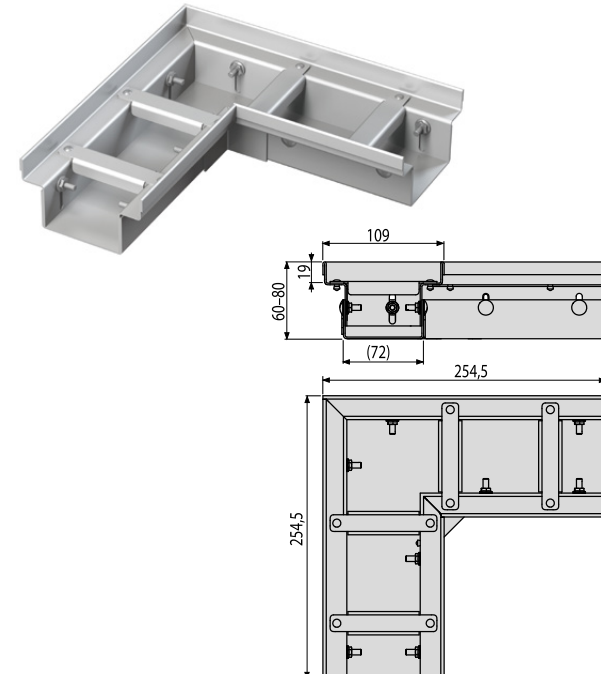
**ADZ102VR**  
Drainage corner channel 100 mm adjustable, galvanized steel

**ADZ302VR**  
Drainage corner channel 100 mm adjustable, stainless steel



Quantity (packing) 1 pc  
Quantity (pallet) 100 pcs  
Material galvanized steel/stainless steel

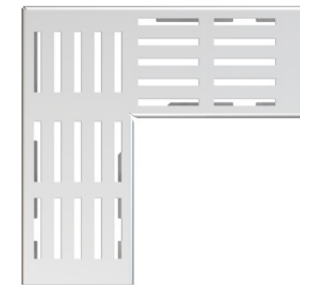
**ADZ332VR**  
Drainage corner channel 100 mm adjustable, stainless steel



Quantity (packing) 1 pc  
Quantity (pallet) 100 pcs  
Material galvanized steel/stainless steel

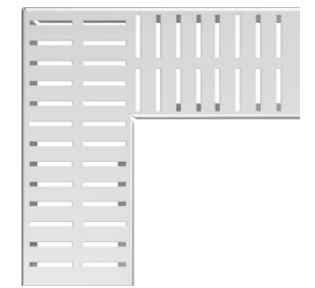
**ADZ-R121R**  
Grid for drainage corner channel 100 mm, galvanized steel

**ADZ-R321R**  
Grid for drainage corner channel 100 mm, stainless steel



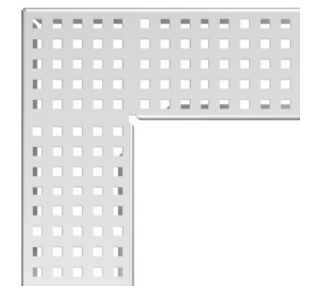
**ADZ-R122R**  
Grid for drainage corner channel 100 mm, galvanized steel

**ADZ-R322R**  
Grid for drainage corner channel 100 mm, stainless steel

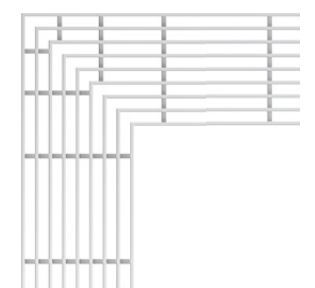


**ADZ-R123R**  
Grid for drainage corner channel 100 mm, galvanized steel

**ADZ-R323R**  
Grid for drainage corner channel 100 mm, stainless steel

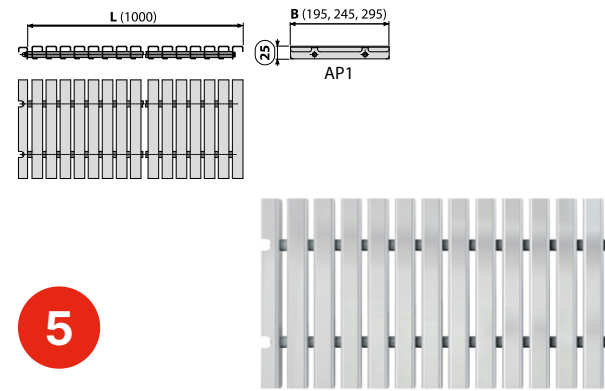


**ADZ-R324R**  
Grid for drainage corner channel 100 mm, stainless steel



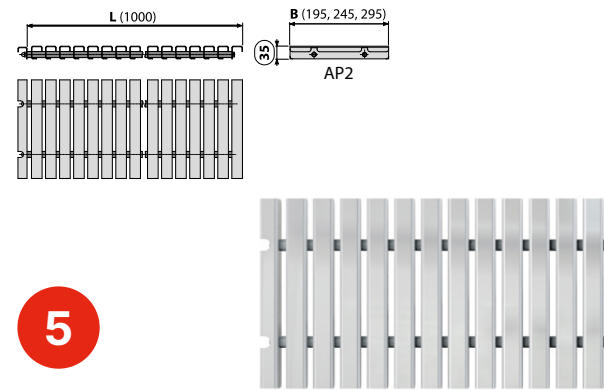


**AP1**  
Swimming pool overflow grating without anti-slip surface



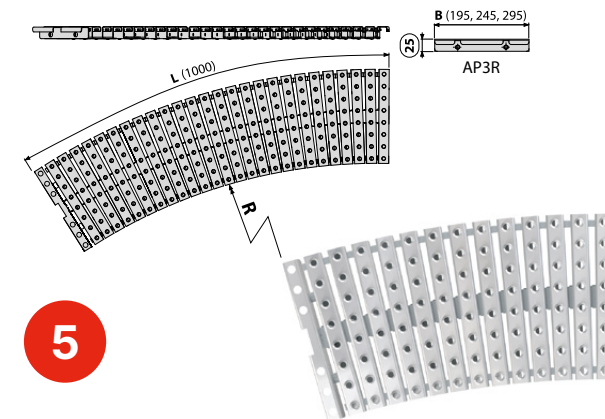
Quantity (packing)	1 pc
Quantity (pallet)	- pcs
Material	stainless steel AISI 316, DIN 1.4401

**AP2**  
Swimming pool overflow grating without anti-slip surface



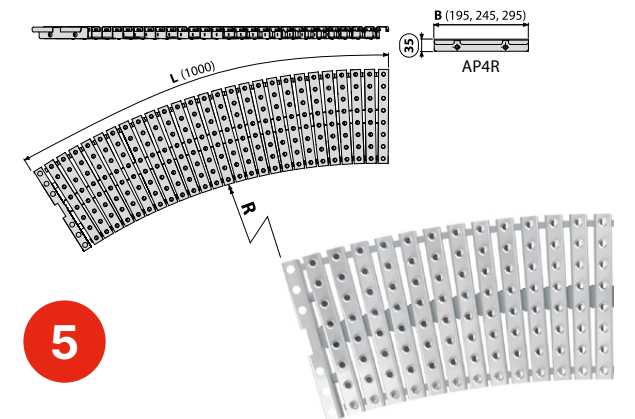
Quantity (packing)	1 pc
Quantity (pallet)	- pcs
Material	stainless steel AISI 316, DIN 1.4401

**AP3R**  
Swimming pool overflow radius grating with anti-slip surface



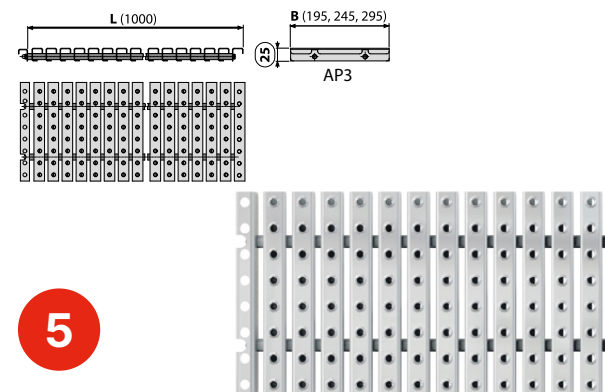
Quantity (packing)	1 pc
Quantity (pallet)	- pcs
Material	stainless steel AISI 316, DIN 1.4401

**AP4R**  
Swimming pool overflow radius grating with anti-slip surface



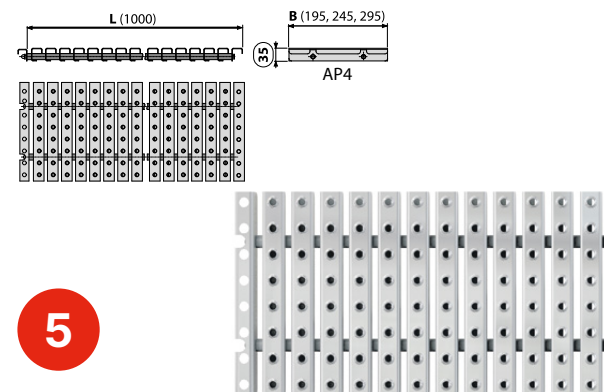
Quantity (packing)	1 pc
Quantity (pallet)	- pcs
Material	stainless steel AISI 316, DIN 1.4401

**AP3**  
Swimming pool overflow grating with anti-slip surface



Quantity (packing)	1 pc
Quantity (pallet)	- pcs
Material	stainless steel AISI 316, DIN 1.4401

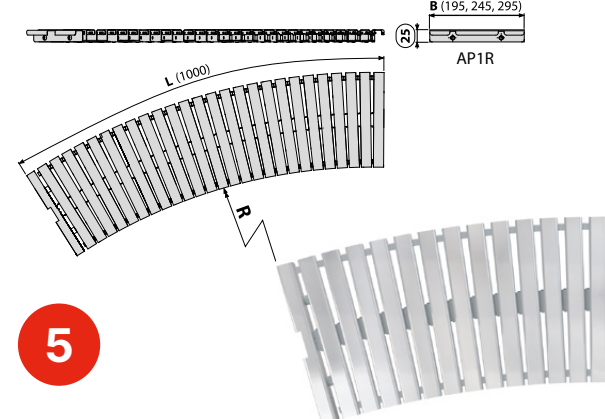
**AP4**  
Swimming pool overflow grating with anti-slip surface



Quantity (packing)	1 pc
Quantity (pallet)	- pcs
Material	stainless steel AISI 316, DIN 1.4401

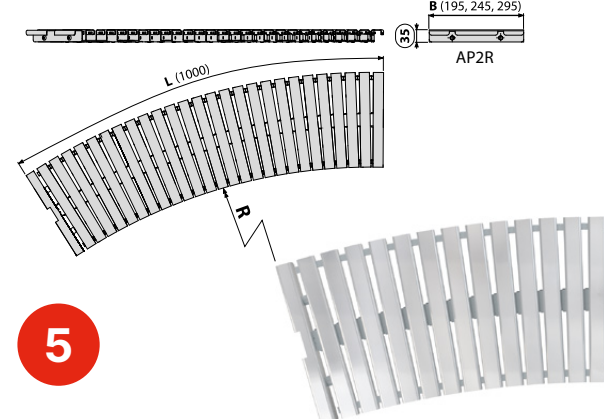
**Non-standard product solution:**  
Non-standard sizes and other special solutions can be supplied as an individual project on order (length, shape, placement of the waste and trap, a type of stainless steel, etc.).

**AP1R**  
Swimming pool overflow radius grating without anti-slip surface



Quantity (packing)	1 pc
Quantity (pallet)	- pcs
Material	stainless steel AISI 316, DIN 1.4401

**AP2R**  
Swimming pool overflow radius grating without anti-slip surface



Quantity (packing)	1 pc
Quantity (pallet)	- pcs
Material	stainless steel AISI 316, DIN 1.4401

# Outdoor drainage system

Outdoor drain channels	127
Outdoor drain channels LOW (load class A15, B125)	127
Outdoor drain channels HOME (load class A15)	132
Outdoor drain channels STANDARD (load class B125)	134
Outdoor drain channels PROFI (load class C250)	135
Outdoor drain channels TOP (load class D400)	136
Outdoor slotted channels (load class C250)	137
Outdoor drain channels – accessories	131, 141
Universal rain drums	142
Universal rain drums – accessories	143

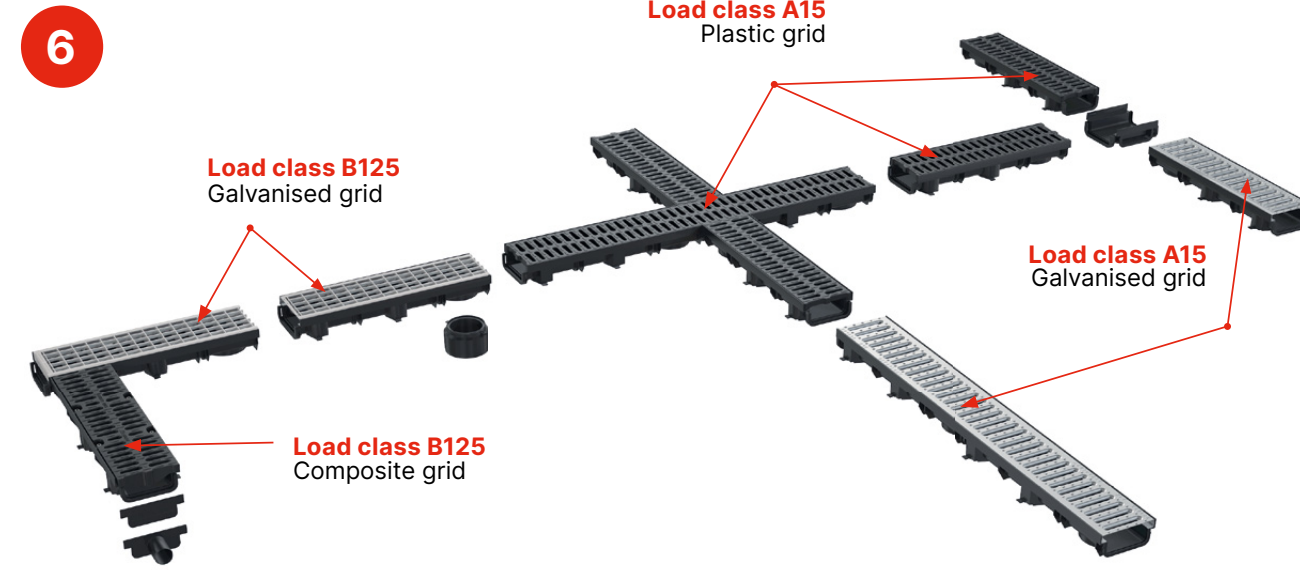
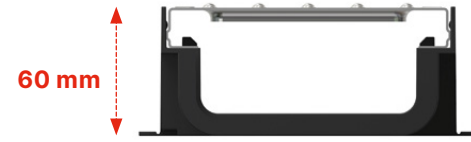


VIDEO

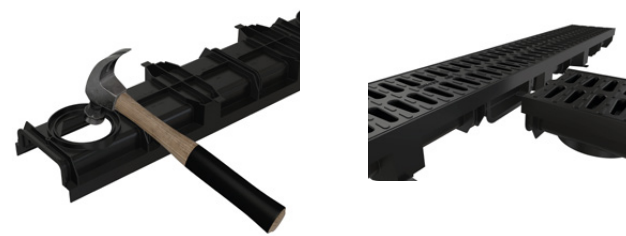
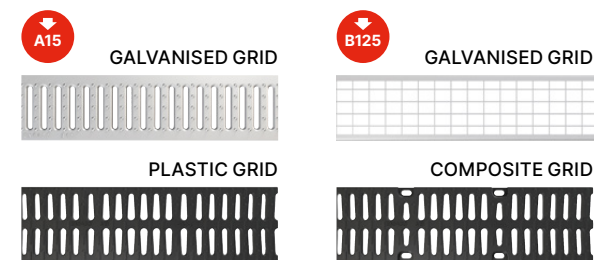
# Low profile outdoor drainage system (height 60 mm)



- Modular system
- Lock-in mechanism
- Two types of cover gratings
- Hidden drain connectors



## ACCESSORIES



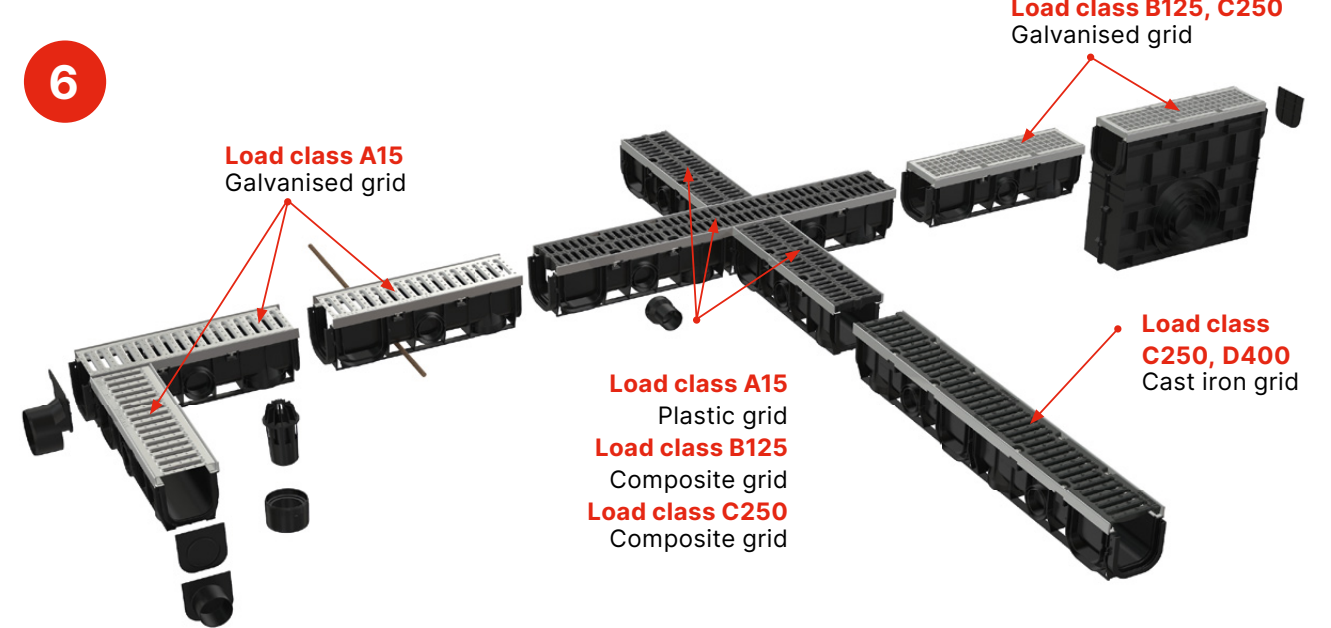
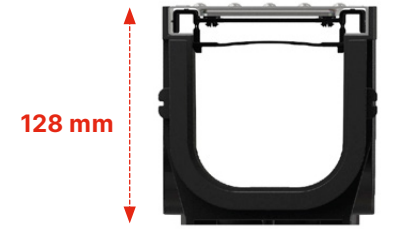
Easy removal of knockout holes for outlet connection

Invisible connector for the creation of "L", "T" and "X" shapes

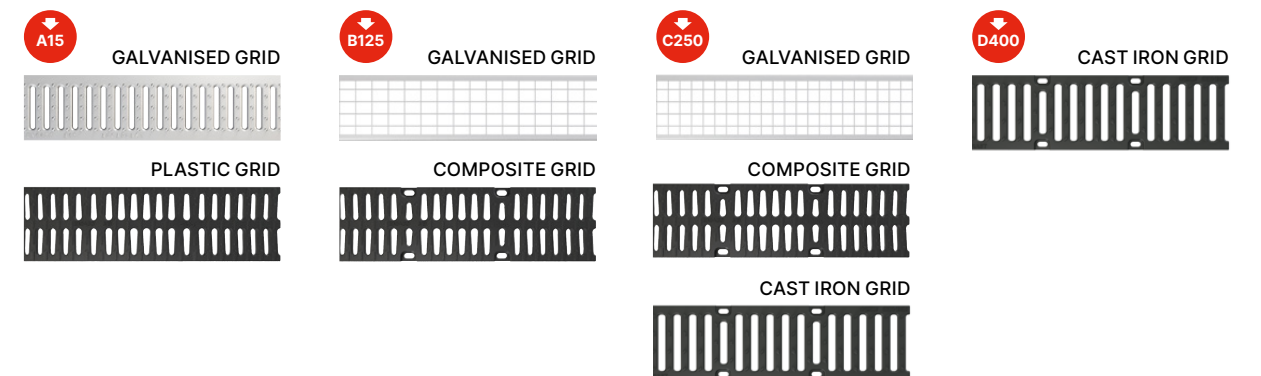
# Professional outdoor drainage systems



- Modular system
- Lock-in mechanism
- Knockout holes for easy outlet connection
- Optional insertion of locking bars
- Possibility to divide into halves (1 m → 2 × 0.5 m)

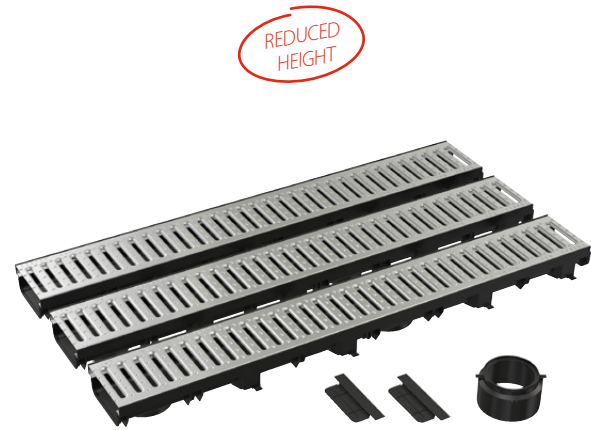


## ACCESSORIES





**AVZ112-G102**  
Garage pack 3 m (2x end cap, 1x socket DN110)



LOW 

Quantity (packing)	1 pc
Quantity (pallet)	30 pcs
Material	polypropylene filled with talc

**AVZ112-G501**  
Garage pack 3 m (2x end cap, 1x socket DN110)



LOW 

Quantity (packing)	1 pc
Quantity (pallet)	30 pcs
Material	polypropylene filled with talc

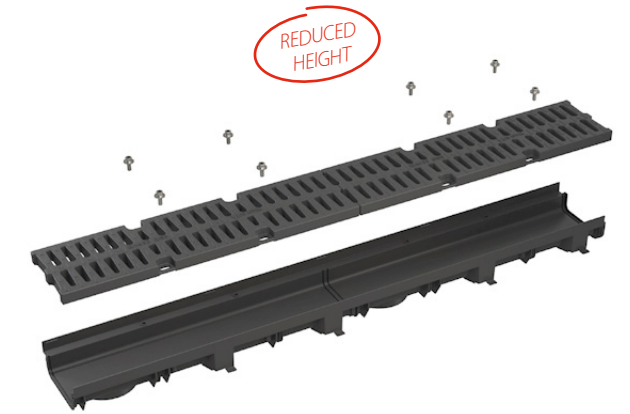
**AVZ112-R103**  
Outdoor drain channel 60 mm with plastic frame and welded galvanized grid B125



LOW 

Quantity (packing)	1 pc
Quantity (pallet)	125 pcs
Material	polypropylene filled with talc

**AVZ112-R402**  
Outdoor drain channel 60 mm with plastic frame and composite grid B125



LOW 

Quantity (packing)	1 pc
Quantity (pallet)	125 pcs
Material	polypropylene filled with talc

**AVZ112-R102**  
Outdoor drain channel 60 mm with plastic frame and galvanized "C" profile grid A15



LOW 

Quantity (packing)	1 pc
Quantity (pallet)	125 pcs
Material	polypropylene filled with talc

**AVZ112-R501**  
Outdoor drain channel 60 mm with plastic frame and plastic grid A15



LOW 

Quantity (packing)	1 pc
Quantity (pallet)	125 pcs
Material	polypropylene filled with talc

**AVZ-P015**  
Connecting piece of outdoor drain channel AVZ112



Quantity (packing)	50 pcs
Quantity (pallet)	1400 pcs
Material	polypropylene filled with talc

**AVZ-P016**  
Socket for connection to the waste pipe DN110



Quantity (packing)	50 pc
Quantity (pallet)	1400 pcs
Material	polypropylene filled with talc

**AVZ-P017**  
End cap to close the drain channel



Quantity (packing)	200 pcs
Quantity (pallet)	5600 pcs
Material	polypropylene filled with talc

**AVZ-P018**  
End cap to close the drain channel with inlet DN40



Quantity (packing)	30 pcs
Quantity (pallet)	840 pcs
Material	polypropylene filled with talc

**AVZ102-R102**

Outdoor drain channel 100 mm with plastic frame and galvanized "C" profile grid A15



HOME 

Quantity (packing)	1 pc
Quantity (pallet)	60 pcs
Material	polypropylene filled with talc

**AVZ102R-R102S**

Outdoor drain box for AVZ102 with plastic frame and galvanized "C" profile grid A15

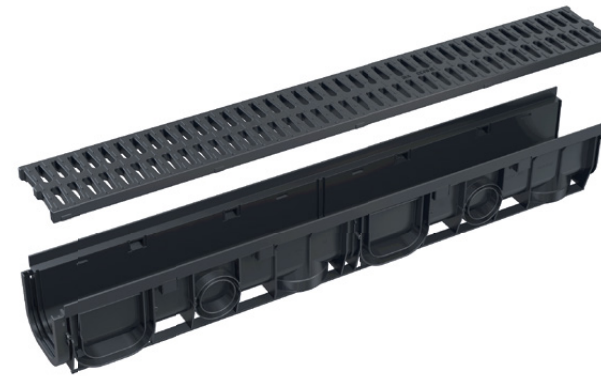


HOME 

Quantity (packing)	1 pc
Quantity (pallet)	24 pcs
Material	polypropylene filled with talc

**AVZ102-R501**

Outdoor drain channel 100 mm with plastic frame and plastic grid A15

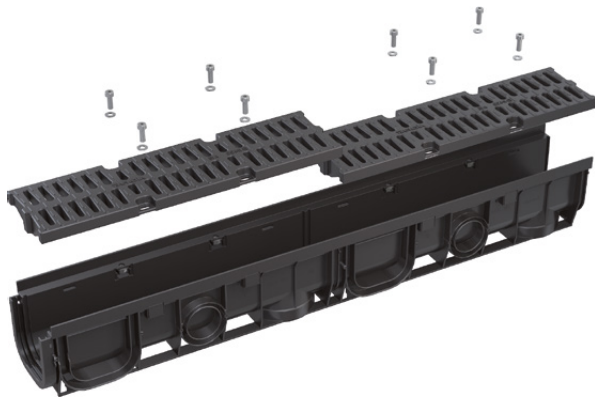


HOME 

Quantity (packing)	1 pc
Quantity (pallet)	60 pcs
Material	polypropylene filled with talc

**AVZ104-R401**

Outdoor drain channel 100 mm with plastic frame and plastic grid A15



HOME 

Quantity (packing)	1 pc
Quantity (pallet)	60 pcs
Material	polypropylene filled with talc

**AVZ104R-R401**

Outdoor drain box for AVZ104 with plastic frame and plastic grid A15

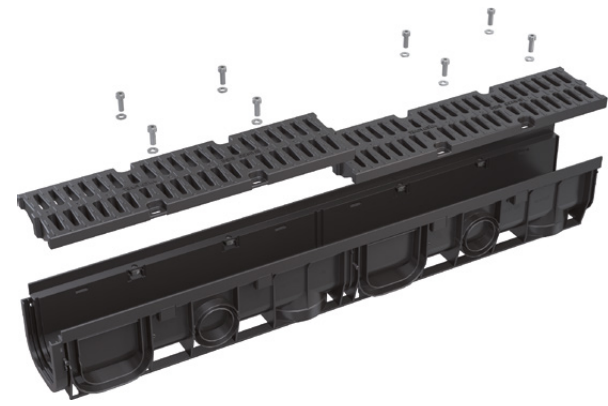


HOME 

Quantity (packing)	1 pc
Quantity (pallet)	24 pcs
Material	polypropylene filled with talc

**AVZ104-R402**

Outdoor drain channel 100 mm with plastic frame and composite grid B125



STANDARD 

Quantity (packing)	1 pc
Quantity (pallet)	60 pcs
Material	polypropylene filled with talc

**AVZ104R-R402**

Outdoor drain box for AVZ104 with plastic frame and composite grid B125

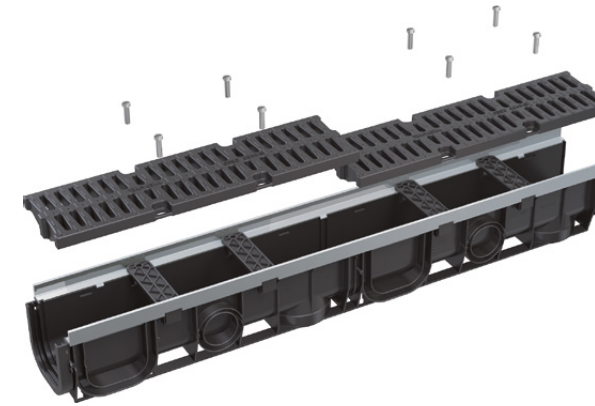


STANDARD 

Quantity (packing)	1 pc
Quantity (pallet)	24 pcs
Material	polypropylene filled with talc

**AVZ103-R403**

Outdoor drain channel 100 mm with metal frame and composite grid C250



PROFI 

Quantity (packing)	1 pc
Quantity (pallet)	60 pcs
Material	polypropylene filled with talc

**AVZ103R-R403**

Outdoor drain box for AVZ103 with metal frame and composite grid C250

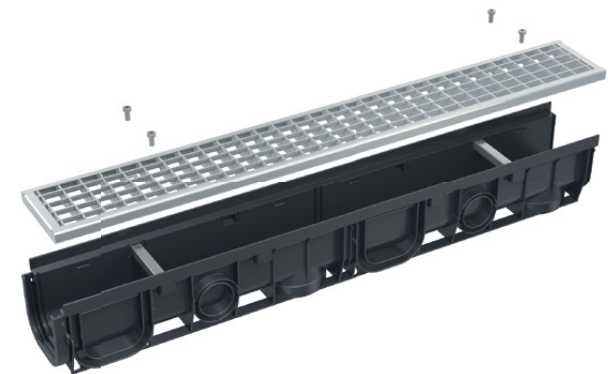


PROFI 

Quantity (packing)	1 pc
Quantity (pallet)	24 pcs
Material	polypropylene filled with talc

**AVZ102-R103**

Outdoor drain channel 100 mm with plastic frame and galvanized grid B125



STANDARD 

Quantity (packing)	1 pc
Quantity (pallet)	60 pcs
Material	polypropylene filled with talc

**AVZ102R-R103S**

Outdoor drain box for AVZ102 with plastic frame and galvanized grid B125

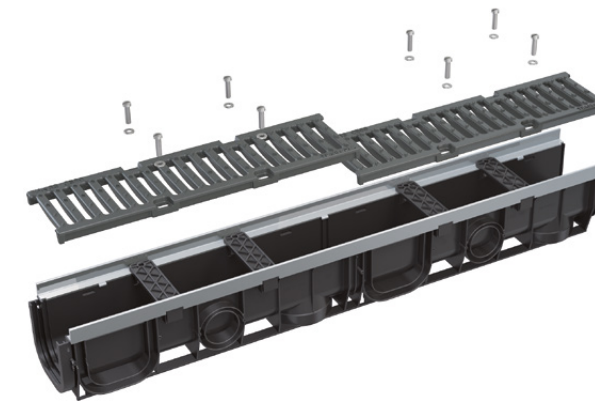


STANDARD 

Quantity (packing)	1 pc
Quantity (pallet)	24 pcs
Material	polypropylene filled with talc

**AVZ103-R202**

Outdoor drain channel 100 mm with metal frame and cast iron grid C250



PROFI 

Quantity (packing)	1 pc
Quantity (pallet)	30 pcs
Material	polypropylene filled with talc

**AVZ103R-R202**

Outdoor drain box for AVZ103 with metal frame and cast iron grid C250



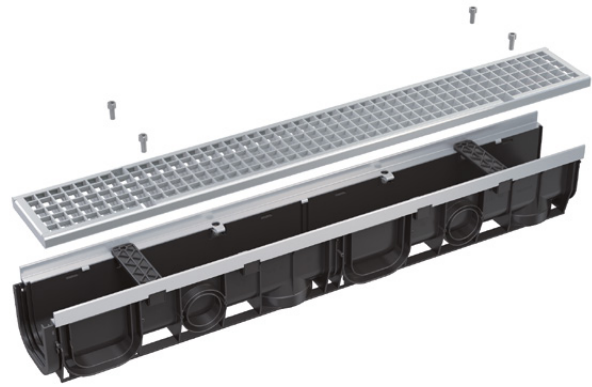
PROFI 

Quantity (packing)	1 pc
Quantity (pallet)	24 pcs
Material	polypropylene filled with talc



**AVZ103-R104**

Outdoor drain channel 100 mm with metal frame and galvanized grid C250



PROFI C250

Quantity (packing)	1 pc
Quantity (pallet)	30 pcs
Material	polypropylene filled with talc

**AVZ103R-R104S**

Outdoor drain box for AVZ103 with metal frame and galvanized grid C250

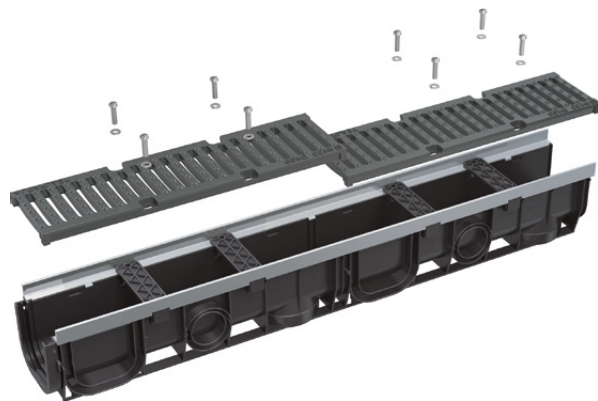


PROFI C250

Quantity (packing)	1 pc
Quantity (pallet)	24 pcs
Material	polypropylene filled with talc

**AVZ103-R201**

Outdoor drain channel 100 mm with metal frame and a cast iron grid D400



TOP D400

Quantity (packing)	1 pc
Quantity (pallet)	30 pcs
Material	polypropylene filled with talc

**AVZ103R-R201**

Outdoor drain box for AVZ103 with metal frame and cast iron grid D400



TOP D400

Quantity (packing)	1 pc
Quantity (pallet)	24 pcs
Material	polypropylene filled with talc

**AVZ101-R121**

Outdoor slotted channel with asymmetrical extension 100 mm, galvanized steel



C250

Quantity (packing)	1 pc
Quantity (pallet)	30 pcs
Material	polypropylene filled with talc

**AVZ101-R321**

Outdoor slotted channel with asymmetrical extension 100 mm, stainless steel

**AVZ101S-R121R**

Outdoor slotted channel with asymmetrical access cover 100 mm, galvanized steel



C250

Quantity (packing)	1 pc
Quantity (pallet)	30 pcs
Material	polypropylene filled with talc

**AVZ101S-R321R**

Outdoor slotted channel with asymmetrical access cover 100 mm, stainless steel

**AVZ101R-R121R**

Outdoor slotted drain box with asymmetrical access cover 100 mm, galvanized steel



C250

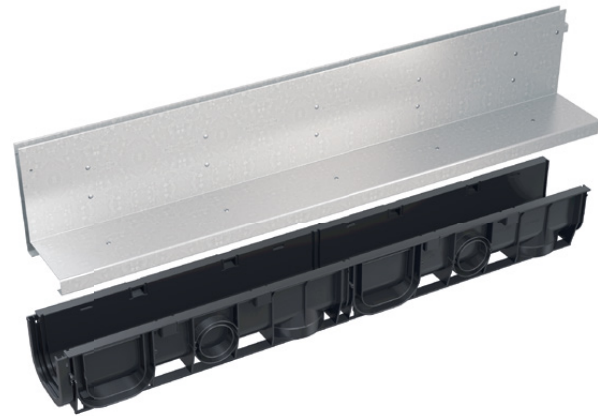
Quantity (packing)	1 pc
Quantity (pallet)	30 pcs
Material	polypropylene filled with talc

**AVZ101R-R321R**

Outdoor slotted drain box with asymmetrical access cover 100 mm, stainless steel

**AVZ101-R122**  
Outdoor slotted channel with asymmetrical extension 160 mm, galvanized steel

**AVZ101-R322**  
Outdoor slotted channel with asymmetrical extension 160 mm, stainless steel



**AVZ101S-R122R**  
Outdoor slotted channel with asymmetrical access cover 160 mm, galvanized steel

**AVZ101S-R322R**  
Outdoor slotted channel with asymmetrical access cover 160 mm, stainless steel



**AVZ101-R123**  
Outdoor slotted channel with symmetrical extension 100 mm, galvanized steel

**AVZ101-R323**  
Outdoor slotted channel with symmetrical extension 100 mm, stainless steel



**AVZ101S-R123R**  
Outdoor slotted channel with symmetrical access cover 100 mm, galvanized steel

**AVZ101S-R323R**  
Outdoor slotted channel with symmetrical access cover 100 mm, stainless steel



Quantity (packing)	1 pc
Quantity (pallet)	30 pcs
Material	polypropylene filled with talc



Quantity (packing)	1 pc
Quantity (pallet)	30 pcs
Material	polypropylene filled with talc



Quantity (packing)	1 pc
Quantity (pallet)	30 pcs
Material	polypropylene filled with talc



Quantity (packing)	1 pc
Quantity (pallet)	30 pcs
Material	polypropylene filled with talc

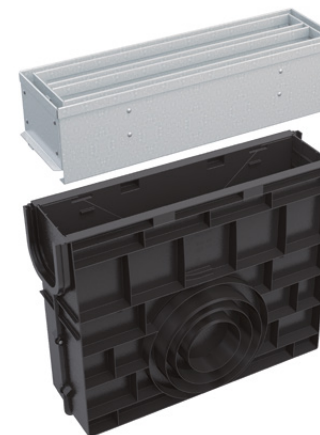
**AVZ101R-R122R**  
Outdoor slotted drain box with asymmetrical access cover 160 mm, galvanized steel

**AVZ101R-R322R**  
Outdoor slotted drain box with asymmetrical access cover 160 mm, stainless steel



**AVZ101R-R123R**  
Outdoor slotted drain box with symmetrical access cover 100 mm, galvanized steel

**AVZ101R-R323R**  
Outdoor slotted drain box with symmetrical access cover 100 mm, stainless steel



Quantity (packing)	1 pc
Quantity (pallet)	30 pcs
Material	polypropylene filled with talc



Quantity (packing)	1 pc
Quantity (pallet)	30 pcs
Material	polypropylene filled with talc

**AVZ101-R124**  
Outdoor slotted channel with symmetrical extension 160 mm, galvanized steel

**AVZ101-R324**  
Outdoor slotted channel with symmetrical extension 160 mm, stainless steel



**AVZ101S-R124R**  
Outdoor slotted channel with symmetrical access cover 160 mm, galvanized steel

**AVZ101S-R324R**  
Outdoor slotted channel with symmetrical access cover 160 mm, stainless steel



Quantity (packing)	1 pc
Quantity (pallet)	30 pcs
Material	polypropylene filled with talc



Quantity (packing)	1 pc
Quantity (pallet)	30 pcs
Material	polypropylene filled with talc

**AVZ101R-R124R**  
Outdoor slotted drain box with symmetrical access cover 160 mm, galvanized steel

**AVZ101R-R324R**  
Outdoor slotted drain box with symmetrical access cover 160 mm, stainless steel



Quantity (packing)	1 pc
Quantity (pallet)	30 pcs
Material	polypropylene filled with talc

**AVZ-P001**  
Socket for connection to the waste pipe DN110



Quantity (packing)	50 pcs
Quantity (pallet)	800 pcs
Material	polypropylene filled with talc

**AVZ-P002**  
Drain lock AVZ102-R102



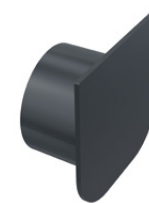
Quantity (packing)	1 pc
Quantity (pallet)	- pcs
Material	polypropylene filled with talc

**AVZ-P003**  
Adapter for connection to a side inlet DN50



Quantity (packing)	50 pcs
Quantity (pallet)	800 pcs
Material	polypropylene filled with talc

**AVZ-P004**  
End cap to close the drain channel with a socket for inlet DN75



Quantity (packing)	50 pcs
Quantity (pallet)	800 pcs
Material	polypropylene filled with talc

**AVZ-P008**  
Hook for removing the grid



Quantity (packing)	1 pc
Quantity (pallet)	- pcs
Material	galvanized metal

**AVZ-P009**  
End cap to close the drain channel



Quantity (packing)	100 pcs
Quantity (pallet)	1600 pcs
Material	polypropylene filled with talc

**AVZ-P010**  
Side end cap with connection to the waste pipe DN110



Quantity (packing)	30 pcs
Quantity (pallet)	- pcs
Material	polypropylene filled with talc

**AVZ-P012**  
Basket for catching dirt large, stainless steel



Quantity (packing)	1 pc
Quantity (pallet)	24 pcs
Material	stainless steel

**AVZ-P013**  
Basket for catching dirt large, galvanized steel



Quantity (packing)	1 pc
Quantity (pallet)	24 pcs
Material	galvanized metal



**AGV1**  
Rain drum 300×155/110 mm straight outlet, black



Quantity (packing)	5 pcs
Quantity (pallet)	80 pcs
Material	polypropylene enriched with glass fiber

**AGV1S**  
Rain drum 300×155/110 mm straight outlet, grey



Quantity (packing)	5 pcs
Quantity (pallet)	80 pcs
Material	polypropylene enriched with glass fiber

**AGV2**  
Rain drum 300×155/125 mm straight outlet, black



Quantity (packing)	5 pcs
Quantity (pallet)	80 pcs
Material	polypropylene enriched with glass fiber

**AGV2S**  
Rain drum 300×155/125 mm straight outlet, grey



Quantity (packing)	5 pcs
Quantity (pallet)	80 pcs
Material	polypropylene enriched with glass fiber

**AGV3**  
Rain drum 300×155/110 mm side outlet, black



Quantity (packing)	4 pcs
Quantity (pallet)	120 pcs
Material	polypropylene enriched with glass fiber

**AGV3S**  
Rain drum 300×155/110 mm side outlet, grey



Quantity (packing)	4 pcs
Quantity (pallet)	120 pcs
Material	polypropylene enriched with glass fiber

**AGV4**  
Rain drum 300×155/125/110 mm straight outlet, black



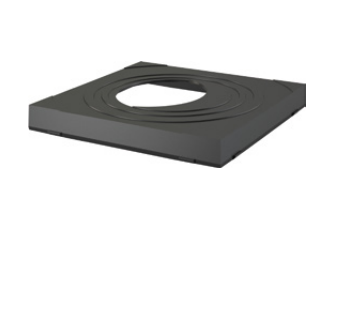
Quantity (packing)	4 pcs
Quantity (pallet)	60 pcs
Material	polypropylene enriched with glass fiber

**AGV4S**  
Rain drum 300×155/125/110 mm straight outlet, grey



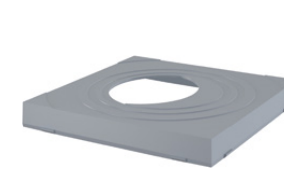
Quantity (packing)	4 pcs
Quantity (pallet)	60 pcs
Material	polypropylene enriched with glass fiber

**AGV911**  
Universal downpipe entry cover, black



Quantity (packing)	1 pc
Quantity (pallet)	- pcs
Material	polypropylene enriched with glass fiber

**AGV911S**  
Universal downpipe entry cover, grey



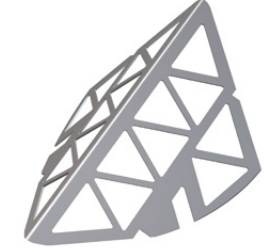
Quantity (packing)	1 pc
Quantity (pallet)	- pcs
Material	polypropylene enriched with glass fiber

**AGV941**  
Stainless steel basket



Quantity (packing)	70 pcs
Quantity (pallet)	1120 pcs
Material	stainless steel

**AGV942**  
Stainless steel side grid



Quantity (packing)	100 pcs
Quantity (pallet)	2800 pcs
Material	stainless steel

**LOCK**

- The lock prevents unintentional opening of the lid, overflow of water during heavy rains
- Prevents the access of children at play
- If necessary, it is possible to remove the lock from the rain drum

**BASKET FOR LEAVES AND DIRT**

- Captures coarse material (mainly leaves) and prevents clogging of sewer pipes
- The narrow bottom with ribs allows a gradual fall through of rotting leaves into sewerage
- Basket can be easily removed for cleaning

**MATERIAL**

- PP enriched with glass fiber
- Resistant to mechanical and thermal damage
- UV stable – resistant to plastic degradation and fading
- In black or grey colours



**INLET RINGS**

- They are part of each package
- Diameters 80, 90, 100, 110, 125mm
- They allow the connection of all types of roof gutters and downspouts

**FLAP**

- Frost-free odour trap – limits the transmission of gas from canalization
- Prevents the passage of rodents from the waste
- Closes under its own weight and is secured against flooding
- Restrict splashing water from the rain drum when removing the lock case

**CONSTRUCTION**

- Resistant to deformation during assembly and to the load (class K3 – bearing capacity of 300kg)
- Ribbing ensures stability on the spot
- Steeper gradient of the rain drum body enables a faster and bigger water flow towards the sewer
- Flow rate 390 l/min.
- Diameter of 110mm, 125 or 125/110mm

# Floor drains



Stainless steel floor drains	146
Floor drains with stainless steel grids	147
Floor drains with design grids	151
Floor drains with plastic grids	152
Floor drains – accessories	154
Waterproofing foil	156

**APV110**

Floor drain stainless steel extra-low 130x130 mm side outlet, without grid, combined odour trap SMART



Flow rate	40 l/min
Material	stainless steel
Quantity (packing)	6 pcs
Quantity (pallet)	120 pcs

**APV120**

Floor drain stainless steel low 130x130 mm side outlet, without grid, combined odour trap SMART



Flow rate	50 l/min
Material	stainless steel
Quantity (packing)	1 pcs
Quantity (pallet)	120 pcs

**APV130**

Floor drain stainless steel 130x130 mm side outlet, without grid, combined odour trap



Flow rate	58 l/min
Material	stainless steel
Quantity (packing)	1 pcs
Quantity (pallet)	120 pcs

**MPV011**

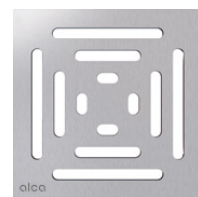
Grid for stainless steel floor drains 102x102 mm stainless steel-matt



Material	stainless steel
Quantity (packing)	1 pcs
Quantity (pallet)	- pcs

**MPV012**

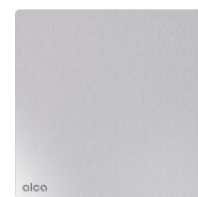
Grid for stainless steel floor drains 102x102 mm stainless steel-matt



Material	stainless steel
Quantity (packing)	1 pcs
Quantity (pallet)	- pcs

**MPV013**

Grid for stainless steel floor drains 92x92 mm stainless steel-matt



Material	stainless steel
Quantity (packing)	1 pcs
Quantity (pallet)	- pcs

**MPV014**

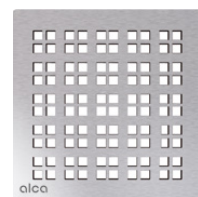
Grid for stainless steel floor drains 102x102 mm stainless steel-matt



Material	stainless steel
Quantity (packing)	1 pcs
Quantity (pallet)	- pcs

**MPV015**

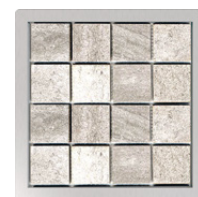
Grid for stainless steel floor drains 102x102 mm stainless steel-matt



Material	stainless steel
Quantity (packing)	1 pcs
Quantity (pallet)	- pcs

**MPV016**

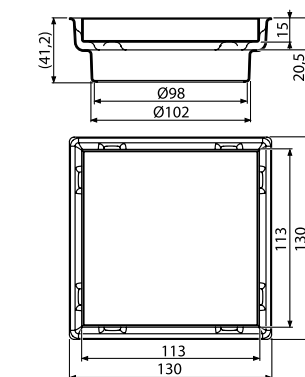
Grid for stainless steel floor drains 92x92 mm for embedding tiles



Material	stainless steel
Quantity (packing)	1 pcs
Quantity (pallet)	- pcs

**APVN0100**

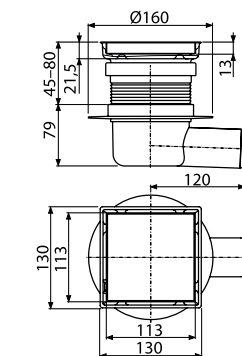
Drain throat extension neck + Two-sided grid 130x130 mm, stainless steel



Flow rate	-
Material	stainless steel
Quantity (packing)	1 pcs
Quantity (pallet)	- pcs

**APV140**

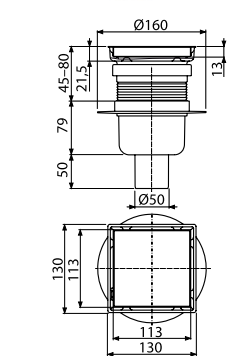
Floor drain 130x130 mm side outlet, two-sided stainless steel grid, wet odour trap



Flow rate	48 l/min
Material	stainless steel
Quantity (packing)	8 pcs
Quantity (pallet)	160 pcs

**APV240**

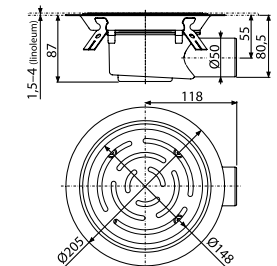
Floor drain 130x130 mm straight outlet, two-sided stainless steel grid, wet odour trap



Flow rate	48 l/min
Material	stainless steel
Quantity (packing)	8 pcs
Quantity (pallet)	160 pcs

**APV3513**

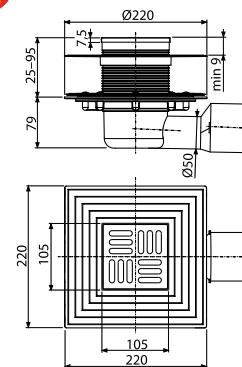
Floor drain 105x105/50 mm side outlet, stainless steel grid, stainless steel flange and collar-2nd level insulation, combined odour trap SMART



Flow rate	46 l/min
Material	stainless steel, polypropylene
Quantity (packing)	1 pcs
Quantity (pallet)	120 pcs

**APV3344**

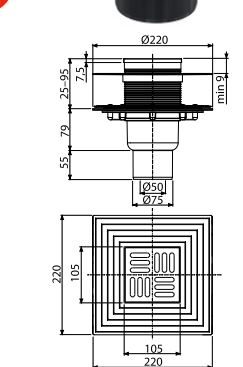
Floor drain 105x105/50/75 mm side outlet, stainless steel grid, stainless steel flange and collar-2nd level insulation, wet and dry odour trap



Flow rate	46/62 l/min
Material	polypropylene
Quantity (packing)	8 pcs
Quantity (pallet)	128 pcs

**APV4344**

Floor drain 105x105/50/75 mm straight outlet, stainless steel grid, stainless steel flange and collar-2nd level insulation, wet and dry odour trap

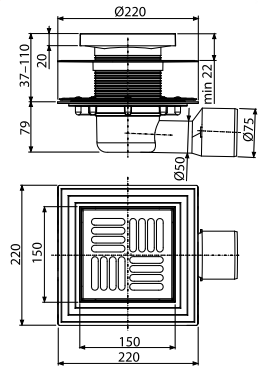


Flow rate	46/62 l/min
Material	polypropylene
Quantity (packing)	8 pcs
Quantity (pallet)	160 pcs



**APV3444**

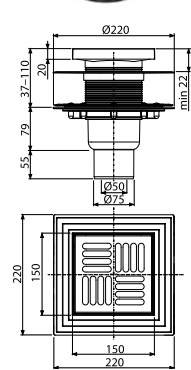
Floor drain 150x150/50/75 mm side outlet, stainless steel grid, stainless steel flange and collar-2nd level insulation, wet and dry odour trap



Flow rate	46/62 l/min
Material	polypropylene
Quantity (packing)	8 pcs
Quantity (pallet)	128 pcs

**APV4444**

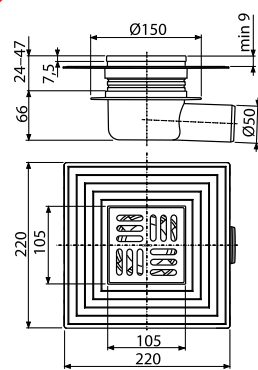
Floor drain 150x150/50/75 mm straight outlet, stainless steel grid, stainless steel flange and collar-2nd level insulation, wet and dry odour trap



Flow rate	46/62 l/min
Material	polypropylene
Quantity (packing)	8 pcs
Quantity (pallet)	160 pcs

**APV26C**

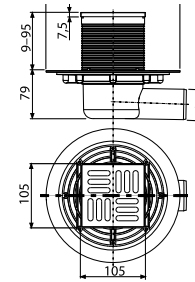
Floor drain 105x105/50 mm side outlet, stainless steel grid, collar-2nd level insulation, dry odour trap



Flow rate	62 l/min
Material	ABS, polypropylene
Quantity (packing)	8 pcs
Quantity (pallet)	160 pcs

**APV1321**

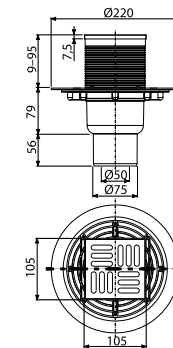
Floor drain 105x105/50 mm side outlet, stainless steel grid, combined odour trap SMART



Flow rate	37 l/min
Material	polypropylene
Quantity (packing)	8 pcs
Quantity (pallet)	160 pcs

**APV2321**

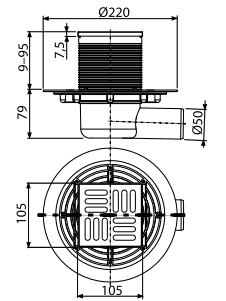
Floor drain 105x105/50/75 mm straight outlet, stainless steel grid, combined odour trap SMART



Flow rate	37 l/min
Material	polypropylene
Quantity (packing)	8 pcs
Quantity (pallet)	160 pcs

**APV1311**

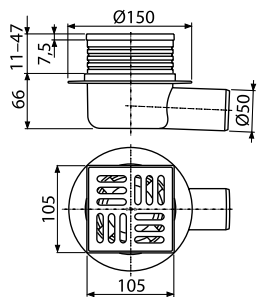
Floor drain 105x105/50 mm side outlet, stainless steel grid, wet odour trap



Flow rate	46 l/min
Material	polypropylene
Quantity (packing)	8 pcs
Quantity (pallet)	160 pcs

**APV26**

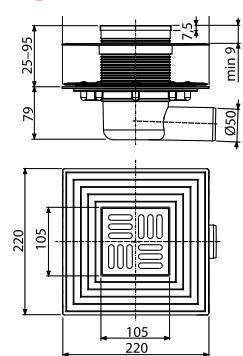
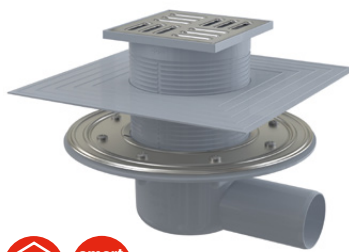
Floor drain 105x105/50 mm side outlet, stainless steel grid, wet odour trap



Flow rate	32 l/min
Material	ABS, polypropylene
Quantity (packing)	25 pcs
Quantity (pallet)	400 pcs

**APV1324**

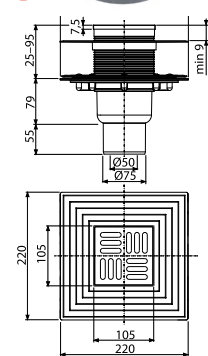
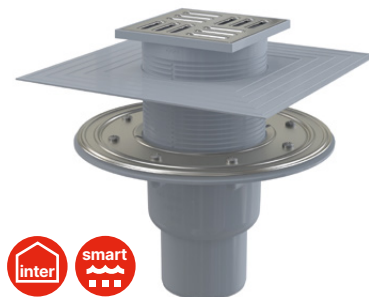
Floor drain 105x105/50 mm side outlet, stainless steel grid, stainless steel flange and collar-2nd level insulation, combined odour trap SMART



Flow rate	37 l/min
Material	polypropylene
Quantity (packing)	8 pcs
Quantity (pallet)	128 pcs

**APV2324**

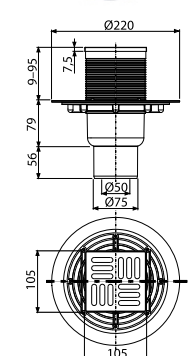
Floor drain 105x105/50/75 mm straight outlet, stainless steel grid, stainless steel flange and collar-2nd level insulation, combined odour trap SMART



Flow rate	37 l/min
Material	polypropylene
Quantity (packing)	8 pcs
Quantity (pallet)	160 pcs

**APV2311**

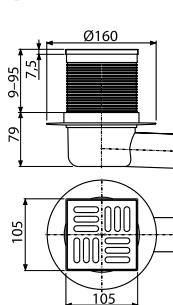
Floor drain 105x105/50/75 mm straight outlet, stainless steel grid, wet odour trap



Flow rate	46 l/min
Material	polypropylene
Quantity (packing)	8 pcs
Quantity (pallet)	160 pcs

**APV31BLACK**

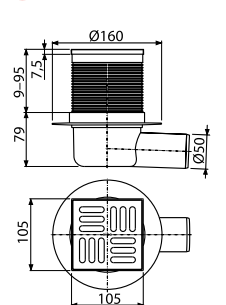
Floor drain 105x105/50 mm side outlet, stainless steel grid black-matt, combined odour trap SMART



Flow rate	37 l/min
Material	ABS, polypropylene
Quantity (packing)	20 pcs
Quantity (pallet)	320 pcs

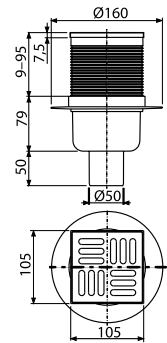
**APV31**

Floor drain 105x105/50 mm side outlet, stainless steel grid, combined odour trap SMART



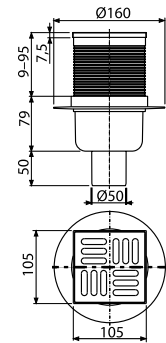
Flow rate	37 l/min
Material	ABS, polypropylene
Quantity (packing)	20 pcs
Quantity (pallet)	320 pcs

**APV32BLACK**  
Floor drain 105×105/50 mm straight outlet, stainless steel grid black-matt, combined odour trap SMART



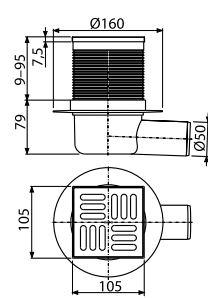
Flow rate	37 l/min
Material	ABS, polypropylene
Quantity (packing)	20 pcs
Quantity (pallet)	320 pcs

**APV32**  
Floor drain 105×105/50 mm straight outlet, stainless steel grid, combined odour trap SMART



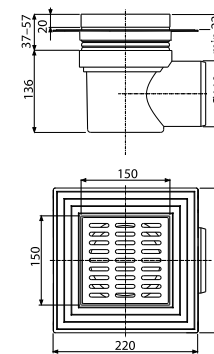
Flow rate	37 l/min
Material	ABS, polypropylene
Quantity (packing)	20 pcs
Quantity (pallet)	320 pcs

**APV1**  
Floor drain 105×105/50 mm side outlet, stainless steel grid, wet odour trap



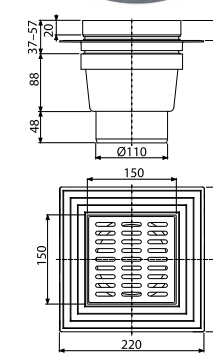
Flow rate	46 l/min
Material	ABS, polypropylene
Quantity (packing)	20 pcs
Quantity (pallet)	320 pcs

**APV12**  
Floor drain 150×150/110 mm side outlet, stainless steel grid, collar-2nd level insulation, wet odour trap



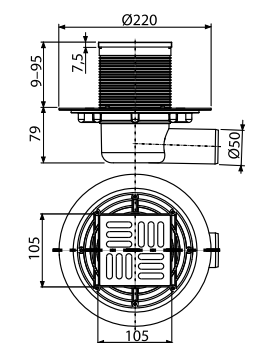
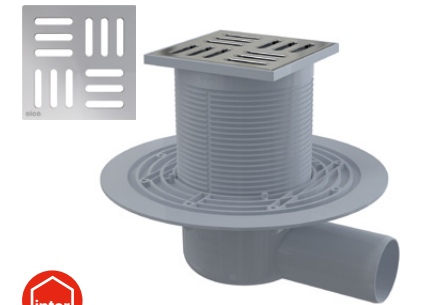
Flow rate	89 l/min
Material	polypropylene
Quantity (packing)	8 pcs
Quantity (pallet)	160 pcs

**APV13**  
Floor drain 150×150/110 mm straight outlet, stainless steel grid, collar-2nd level insulation, wet odour trap



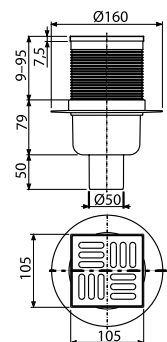
Flow rate	89 l/min
Material	polypropylene
Quantity (packing)	8 pcs
Quantity (pallet)	160 pcs

**APV101**  
Floor drain 105×105/50 mm side outlet, stainless steel grid, wet odour trap



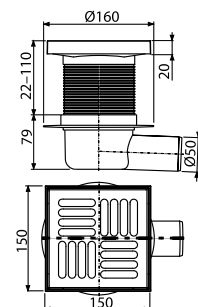
Flow rate	46 l/min
Material	polypropylene
Quantity (packing)	8 pcs
Quantity (pallet)	160 pcs

**APV2**  
Floor drain 105×105/50 mm straight outlet, stainless steel grid, wet odour trap



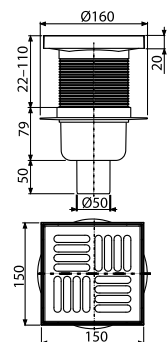
Flow rate	46 l/min
Material	ABS, polypropylene
Quantity (packing)	20 pcs
Quantity (pallet)	320 pcs

**APV5411**  
Floor drain 150×150/50 mm side outlet, stainless steel grid, wet odour trap



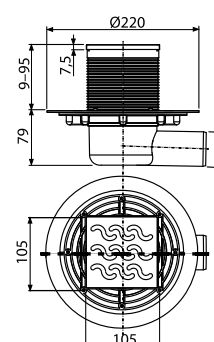
Flow rate	46 l/min
Material	ABS, polypropylene
Quantity (packing)	15 pcs
Quantity (pallet)	240 pcs

**APV6411**  
Floor drain 150×150/50 mm straight outlet, stainless steel grid, wet odour trap



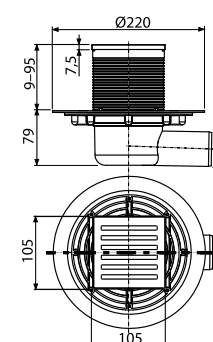
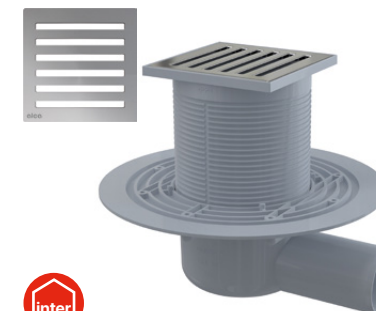
Flow rate	46 l/min
Material	ABS, polypropylene
Quantity (packing)	15 pcs
Quantity (pallet)	240 pcs

**APV102**  
Floor drain 105×105/50 mm side outlet, stainless steel grid, wet odour trap



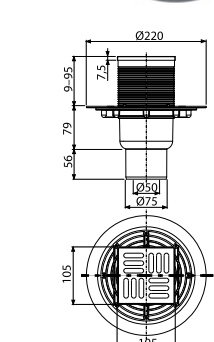
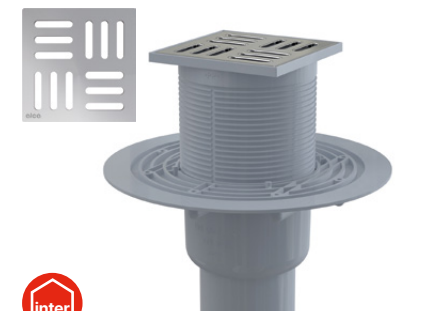
Flow rate	46 l/min
Material	polypropylene
Quantity (packing)	8 pcs
Quantity (pallet)	160 pcs

**APV103**  
Floor drain 105×105/50 mm side outlet, stainless steel grid, wet odour trap



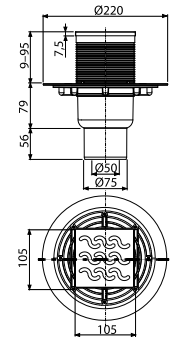
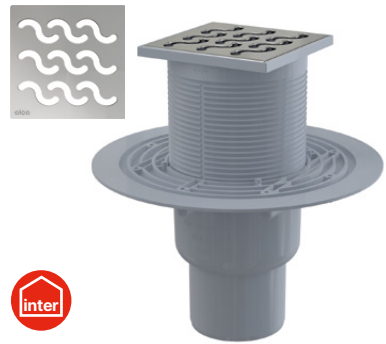
Flow rate	46 l/min
Material	polypropylene
Quantity (packing)	8 pcs
Quantity (pallet)	160 pcs

**APV201**  
Floor drain 105×105/50/75 mm straight outlet, stainless steel grid, wet odour trap



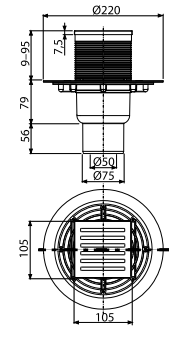
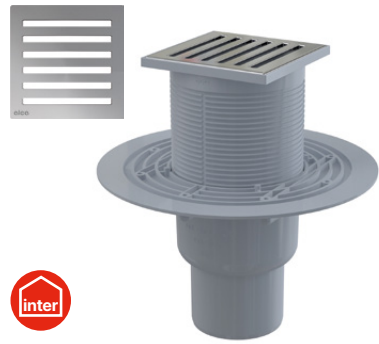
Flow rate	46 l/min
Material	polypropylene
Quantity (packing)	8 pcs
Quantity (pallet)	160 pcs

**APV202**  
Floor drain 105×105/50/75 mm straight outlet, stainless steel grid, wet odour trap



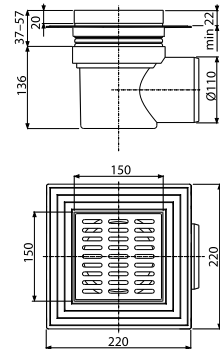
Flow rate	46 l/min
Material	polypropylene
Quantity (packing)	8 pcs
Quantity (pallet)	160 pcs

**APV203**  
Floor drain 105×105/50/75 mm straight outlet, stainless steel grid, wet odour trap



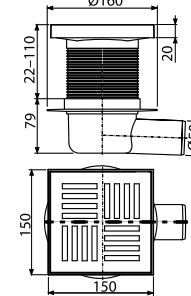
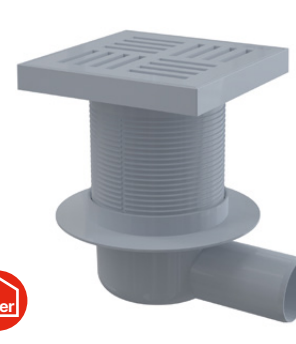
Flow rate	46 l/min
Material	polypropylene
Quantity (packing)	8 pcs
Quantity (pallet)	160 pcs

**APV10**  
Floor drain 150×150/110 mm side outlet, grey grid, collar-2nd level insulation, wet odour trap



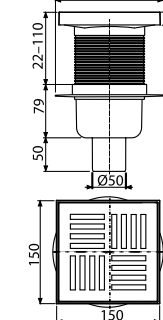
Flow rate	80 l/min
Material	polypropylene
Quantity (packing)	8 pcs
Quantity (pallet)	160 pcs

**APV5211**  
Floor drain 150×150/50 mm side outlet, grey grid, wet odour trap



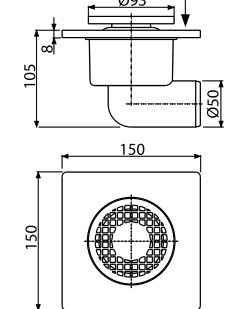
Flow rate	46 l/min
Material	ABS, polypropylene
Quantity (packing)	15 pcs
Quantity (pallet)	240 pcs

**APV6211**  
Floor drain 150×150/50 mm straight outlet, grey grid, wet odour trap



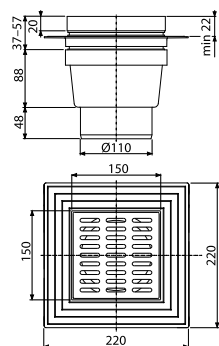
Flow rate	46 l/min
Material	ABS, polypropylene
Quantity (packing)	15 pcs
Quantity (pallet)	240 pcs

**APV3**  
Floor drain 150×150/50 mm side outlet, grey grid, wet odour trap



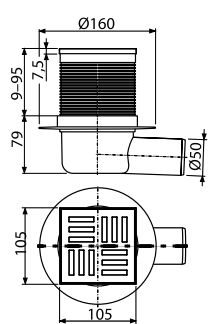
Flow rate	24 l/min
Material	polypropylene
Quantity (packing)	50 pcs
Quantity (pallet)	600 pcs

**APV11**  
Floor drain 150×150/110 mm straight outlet, grey grid, collar-2nd level insulation, wet odour trap



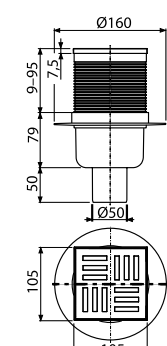
Flow rate	80 l/min
Material	ABS, polypropylene
Quantity (packing)	8 pcs
Quantity (pallet)	160 pcs

**APV5111**  
Floor drain 105×105/50 mm side outlet, grey grid, wet odour trap



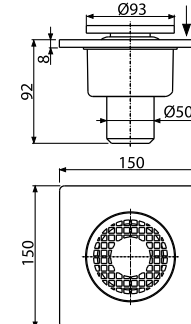
Flow rate	46 l/min
Material	ABS, polypropylene
Quantity (packing)	20 pcs
Quantity (pallet)	320 pcs

**APV6111**  
Floor drain 105×105/50 mm straight outlet, grey grid, wet odour trap



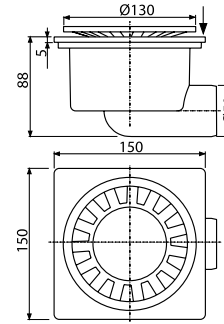
Flow rate	46 l/min
Material	ABS, polypropylene
Quantity (packing)	20 pcs
Quantity (pallet)	320 pcs

**APV4**  
Floor drain 150×150/50 mm straight outlet, grey grid, wet odour trap



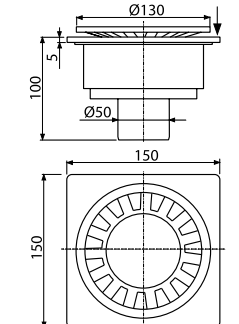
Flow rate	24 l/min
Material	polypropylene
Quantity (packing)	50 pcs
Quantity (pallet)	600 pcs

**APV15**  
Floor drain 150×150/50 mm side outlet, white grid, wet odour trap



Flow rate	24 l/min
Material	ABS
Quantity (packing)	20 pcs
Quantity (pallet)	320 pcs

**APV16**  
Floor drain 150×150/50 mm straight outlet, grey grid, wet odour trap



Flow rate	24 l/min
Material	ABS
Quantity (packing)	20 pcs
Quantity (pallet)	320 pcs



**APV0006**  
Stainless steel flange seal



Material	rubber (NBR)
Quantity (packing)	-
Quantity (pallet)	-

**MPV001**  
Design grid 102×102 mm stainless steel-polished



Material	stainless steel
Quantity (packing)	-
Quantity (pallet)	-

**MPV002**  
Design grid 102×102 mm stainless steel-polished



Material	stainless steel
Quantity (packing)	-
Quantity (pallet)	-

**MPV003**  
Design grid 102×102 mm stainless steel-polished



Material	stainless steel
Quantity (packing)	-
Quantity (pallet)	-

**MPV004**  
Grid 102×102 mm stainless steel-polished



Material	stainless steel
Quantity (packing)	-
Quantity (pallet)	-

**MPV004-BLACK**  
Grid 102×102 mm stainless steel, black-matt



Material	stainless steel
Quantity (packing)	-
Quantity (pallet)	-

**APV0010**  
Wet odour trap



Flow rate	46 l/min
Material	polypropylene
Quantity (packing)	50 pcs
Quantity (pallet)	1400 pcs

**APV0020**  
Combined odour trap SMART



Flow rate	37 l/min
Material	polypropylene
Quantity (packing)	50 pcs
Quantity (pallet)	1400 pcs

**APV0030**  
Dry odour trap



Flow rate	57–62 l/min
Material	polypropylene
Quantity (packing)	50 pcs
Quantity (pallet)	1400 pcs

**APV0050**  
Wet odour trap for APV26, APV26C



Flow rate	32 l/min
Quantity (packing)	50 pcs
Quantity (pallet)	1400 pcs
Material	polypropylene

**APV0060**  
Dry odour trap for APV26, APV26C



Flow rate	62 l/min
Quantity (packing)	50 pcs
Quantity (pallet)	1400 pcs
Material	polypropylene

**APV0800**  
Drain throat extension neck DN105



Quantity (packing)	-
Quantity (pallet)	-
Material	polypropylene

**P143**  
Combined odour trap SMART for APZ-S6



Quantity (packing)	1 pc
Quantity (pallet)	- pcs

**P144**  
Combined odour trap SMART for APZ-S9



Quantity (packing)	1 pc
Quantity (pallet)	- pcs

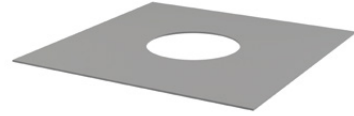
**P145**  
Combined odour trap SMART for APZ-S12



Quantity (packing)	1 pc
Quantity (pallet)	- pcs

**AIZ1**

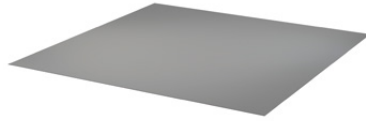
Self-adhesive waterproof membrane for a floor drain 300×300 mm



Quantity (packing) 50 pcs  
Quantity (pallet) 1400 pcs

**AIZ3**

Waterproof membrane 2000×1300 mm



Quantity (packing) 10 pcs  
Quantity (pallet) 160 pcs

**COMPATIBILITY OF FLOOR DRAINS WITH ODOUR TRAPS**

Type of odour trap	Code	Included in package	Compatibility
wet	APV0010	APV140, APV240, APV101, APV201, APV102, APV202, APV103, APV203, APV1311, APV2311, APV1, APV2, APV5411, A6411, APV5111, APV6111, APV5211, APV6211, APV3344, APV4344, APV3444, APV4444	APV1324, APV2324, APV1321, APV2321, APV31, APV31BLACK, APV32, APV32BLACK
SMART	APV0020	APV1324, APV2324, APV1321, APV2321	APV140, APV240, APV101, APV201, APV102, APV202, APV103, APV203, APV1311, APV2311, APV1, APV2, APV5411, A6411, APV5111, APV6111, APV5211, APV6211, APV3344, APV4344, APV3444, APV4444, APV1324, APV2324, APV1321, APV2321, APV31, APV32
dry	APV0030	APV1324, APV2324, APV1321, APV2321, APV31, APV32, APV3344, APV4344, APV3444, APV4444	APV140, APV240, APV101, APV201, APV102, APV202, APV103, APV203, APV1311, APV2311, APV1, APV2, APV5411, A6411, APV5111, APV6111, APV5211, APV6211, APV1324, APV2324, APV1321, APV2321
wet – reduced	APV0050	APV26	APV26C
dry – reduced	APV0060	APV26C	APV26



# Wastes and traps

Products from recycled material	161
Bath wastes and traps	162
Bath waste and traps Basic	162
Bath waste and traps pop-up	162
Bath waste and traps CLICK/CLACK	165
Bath waste and traps with overflow filler	166
Bath waste and traps for whirlpool bathtubs	168
Bath waste and traps – accessories	169
Shower wastes and traps	170
Shower wastes and traps CLICK/CLACK	170
Shower wastes and traps DN50–DN60	170
Shower wastes and traps DN90	172
Reduced height shower tray wastes and traps	174
Wash-basin wastes and traps	175
Wash-basin wastes and traps with outlet	175
Wash-basin wastes and traps with coupling nut	176
Wash-basin wastes and traps – outlets	176
Metal program	177
Wash-basin wastes and traps – CLICK/CLACK outlets	177
Angle valves	180
Wash-basin wastes and traps	181
Sink wastes and traps	185
Sink wastes and traps with outlet	185
Sink wastes and traps with coupling nut	187
Sink wastes and traps – outlets	188
Wash-basin and sink wastes and traps – accessories	189
Urinal and bidet traps	192
Traps for dripping condensation	193
Washing machine traps	194
Washing machine traps – accessories	195



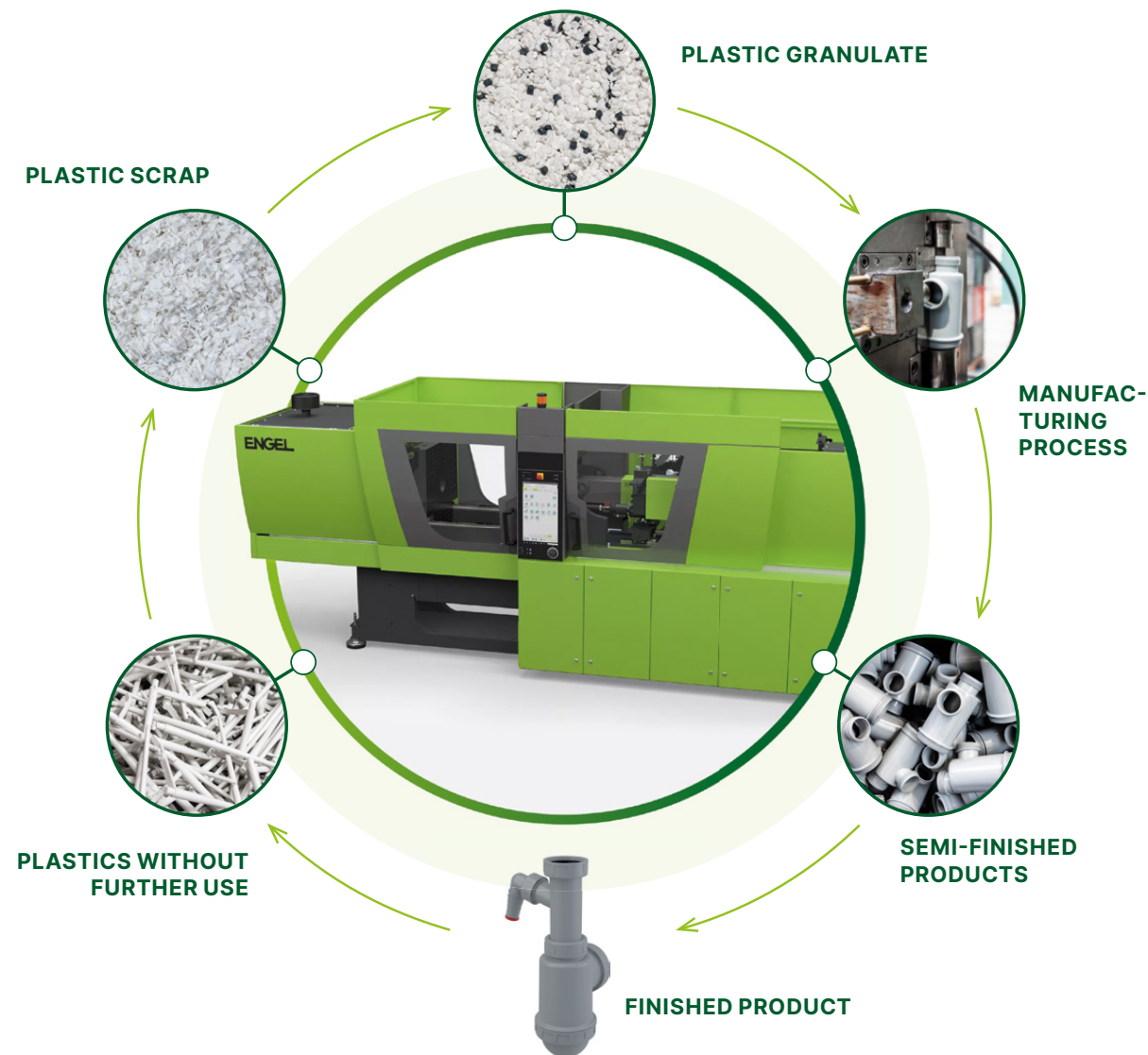
# We make products from recycled materials

We are a responsible company that thinks about future generations and therefore behaves respectfully towards the environment. We produce from recycled material and thus transform waste into a meaningful product. In addition, we rid the planet of waste plastic. We pack our products in recyclable materials and therefore do not even produce secondary waste.



- Made in Czech Republic
- Low carbon footprint
- Zero waste production process
- Top quality – strength, tightness, long service life
- Sustainable products with a low carbon footprint
- We pack products made from recycled material in recyclable LDPE film

## Plastic recycling process



**A33-ECO**  
Sink waste 6/4" with stainless steel grid DN70



Quantity (packing)	100 pcs
Quantity (pallet)	2800 pcs
Material	recycled polypropylene

**A34-ECO**  
Raised sink waste 6/4" with stainless steel grid DN70



Quantity (packing)	100 pcs
Quantity (pallet)	2800 pcs
Material	recycled polypropylene

**A434-ECO**  
Space-saving wash-basin trap DN40 with coupling nut 5/4"



Quantity (packing)	10 pcs
Quantity (pallet)	280 pcs
Material	recycled polypropylene

**A44M-DN40-ECO**  
Adapter pipe with coupling nut 6/4" and two connectors



Quantity (packing)	25 pcs
Quantity (pallet)	700 pcs
Material	recycled polypropylene

**A44MN-DN40-ECO**  
Adapter pipe with coupling nut 6/4"



Quantity (packing)	25 pcs
Quantity (pallet)	400 pcs
Material	recycled polypropylene

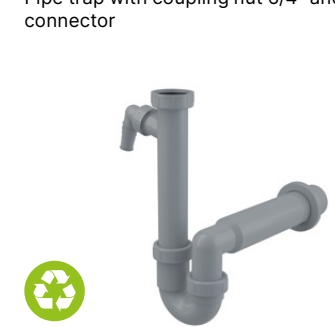
**A80-DN40-ECO**  
Pipe trap with coupling nut 6/4"



Quantity (packing)	15 pcs
Quantity (pallet)	420 pcs
Material	recycled polypropylene

**A80-DN50-ECO**  
Pipe trap with coupling nut 6/4"

**A81-DN40-ECO**  
Pipe trap with coupling nut 6/4" and connector



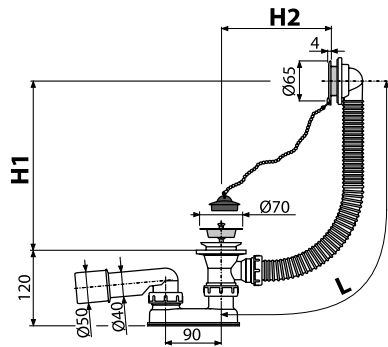
Quantity (packing)	15 pcs
Quantity (pallet)	420 pcs
Material	recycled polypropylene

**A872P-ECO**  
Space-saving sink trap with a connector and coupling nut 6/4"



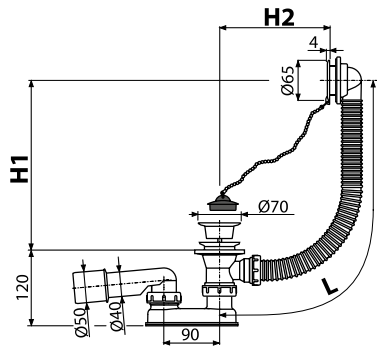
Quantity (packing)	15 pcs
Quantity (pallet)	420 pcs
Material	recycled polypropylene

**A501**  
Bath waste and trap, chrome



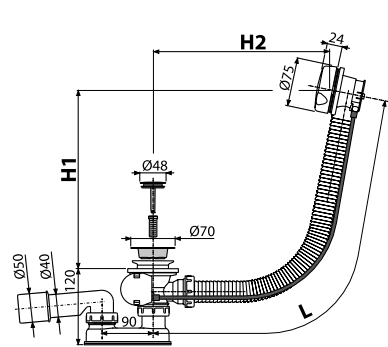
Quantity (packing)	20 pcs
Quantity (pallet)	320 pcs
Material – plug/grid	PVC/plastic

**A502**  
Bath waste and trap, white



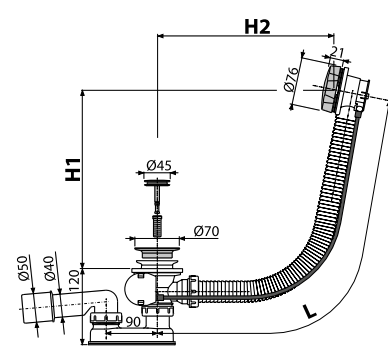
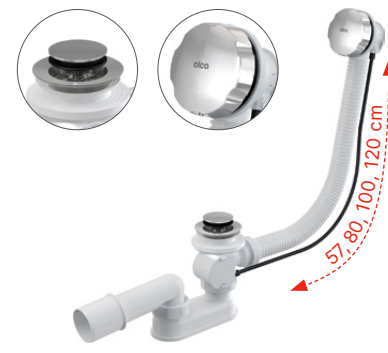
Quantity (packing)	20 pcs
Quantity (pallet)	320 pcs
Material – plug/grid	PVC/plastic

**A51B**  
Bath pop-up waste and trap, chrome/  
white-polished



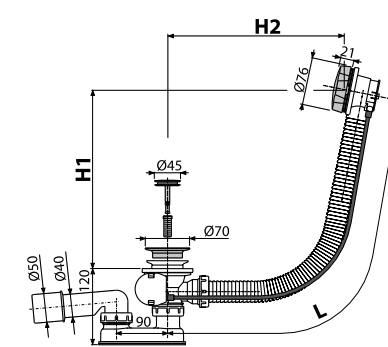
Quantity (packing)	20 pcs
Quantity (pallet)	320 pcs
Material – plug/control knob	metal/plastic

**A55K**  
Bath pop-up waste and trap, metal



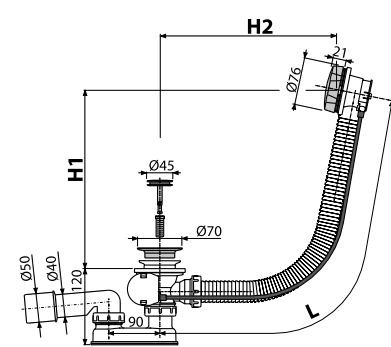
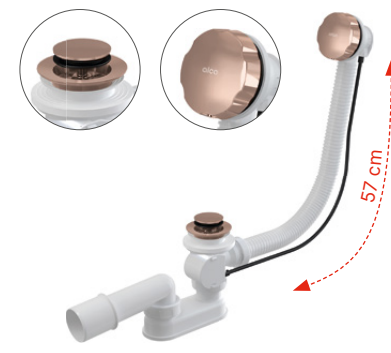
Quantity (packing)	20 pcs
Quantity (pallet)	320 pcs
Material – plug/control knob	metal/metal

**A55BLACK**  
Bath pop-up waste and trap, black-matt



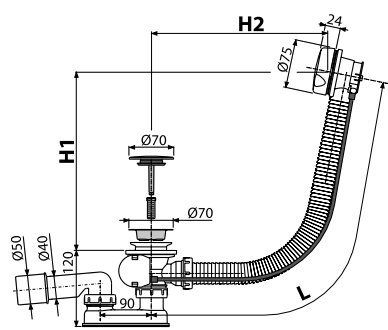
Quantity (packing)	20 pcs
Quantity (pallet)	320 pcs
Material – plug/control knob	metal/metal

**A55K-RG-P**  
Bath pop-up waste and trap, RED GOLD-  
polished



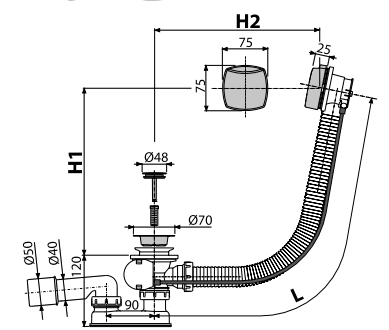
Quantity (packing)	20 pcs
Quantity (pallet)	320 pcs
Material – plug/control knob	metal/metal

**A51BM**  
Bath pop-up waste and trap, white



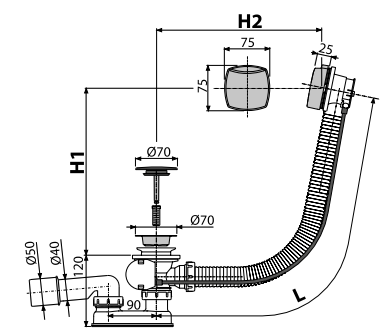
Quantity (packing)	20 pcs
Quantity (pallet)	320 pcs
Material – plug/control knob	plastic/plastic

**A51CR**  
Bath pop-up waste and trap, chrome



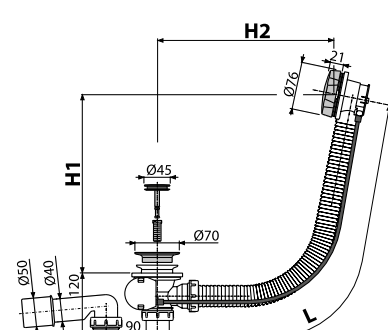
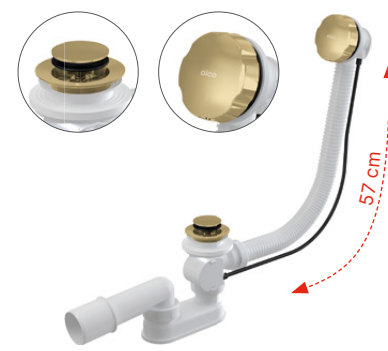
Quantity (packing)	20 pcs
Quantity (pallet)	320 pcs
Material – plug/control knob	metal/plastic

**A51CRM**  
Bath pop-up waste and trap, chrome



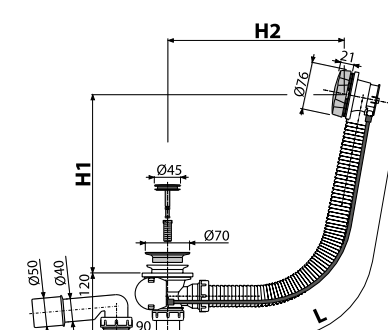
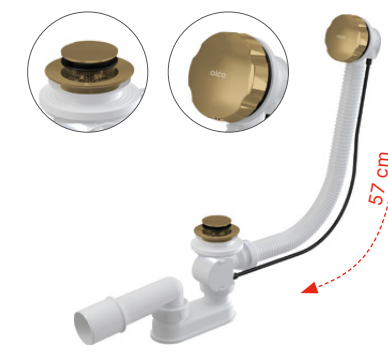
Quantity (packing)	20 pcs
Quantity (pallet)	320 pcs
Material – plug/control knob	plastic/plastic

**A55K-G-P**  
Bath pop-up waste and trap, GOLD-  
polished



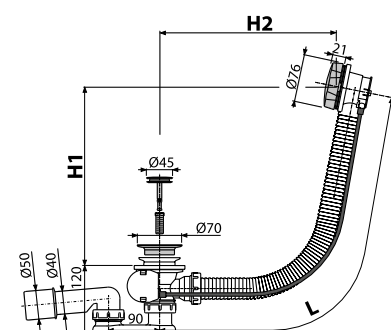
Quantity (packing)	20 pcs
Quantity (pallet)	320 pcs
Material – plug/control knob	metal/metal

**A55K-G-B**  
Bath pop-up waste and trap, GOLD-  
brushed matt



Quantity (packing)	20 pcs
Quantity (pallet)	320 pcs
Material – plug/control knob	metal/metal

**A55K-RG-B**  
Bath pop-up waste and trap, RED GOLD-  
brushed matt



Quantity (packing)	20 pcs
Quantity (pallet)	320 pcs
Material – plug/control knob	metal/metal

**A55K-N-P**  
Bath pop-up waste and trap, NICKEL-polished



Quantity (packing)	20 pcs
Quantity (pallet)	320 pcs
Material – plug/control knob	metal/metal

**A55K-N-B**  
Bath pop-up waste and trap, NICKEL-brushed matt



Quantity (packing)	20 pcs
Quantity (pallet)	320 pcs
Material – plug/control knob	metal/metal

**A55KM**  
Bath pop-up waste and trap, metal



Quantity (packing)	20 pcs
Quantity (pallet)	320 pcs
Material – plug/control knob	plastic/metal

**A504CKM**  
Bath CLICK/CLACK waste and trap, metal



Quantity (packing)	20 pcs
Quantity (pallet)	320 pcs
Material – plug/control knob	metal/metal

**A507CKM**  
Bath CLICK/CLACK waste and trap, metal

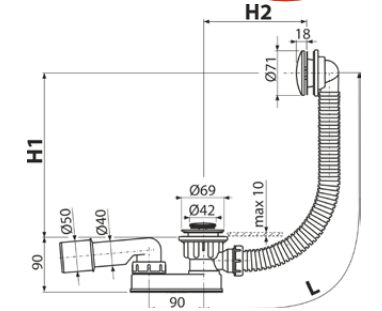


Quantity (packing)	20 pcs
Quantity (pallet)	320 pcs
Material – plug/control knob	metal/metal

**A507CK**  
Bath CLICK/CLACK waste and trap, small plug, metal



Quantity (packing)	20 pcs
Quantity (pallet)	320 pcs
Material – plug/cap	metal/plastic



**A516CKM**  
Bath CLICK/CLACK waste and trap with flat overflow, chrome



Quantity (packing)	20 pcs
Quantity (pallet)	320 pcs
Material – plug/cap	metal/plastic

**A55K-GM-P**  
Bath pop-up waste and trap, GUN METAL-polished



Quantity (packing)	20 pcs
Quantity (pallet)	320 pcs
Material – plug/control knob	metal/metal

**A55K-GM-B**  
Bath pop-up waste and trap, GUN METAL-brushed matt



Quantity (packing)	20 pcs
Quantity (pallet)	320 pcs
Material – plug/control knob	metal/metal

**A55KM-WHITE**  
Bath pop-up waste and trap, white-matt



Quantity (packing)	20 pcs
Quantity (pallet)	320 pcs
Material – plug/control knob	metal/metal

**A507BLACK**  
Bath CLICK/CLACK waste and trap, black-matt



Quantity (packing)	20 pcs
Quantity (pallet)	320 pcs
Material – plug/control knob	metal/metal

**A505CRM**  
Bath CLICK/CLACK waste and trap, chrome

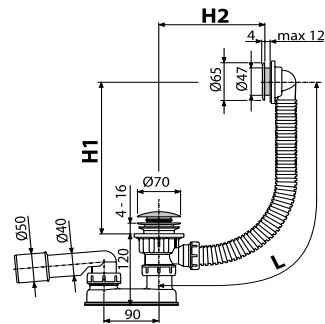


Quantity (packing)	20 pcs
Quantity (pallet)	320 pcs
Material – plug/grid	plastic/plastic



**A505CKM**

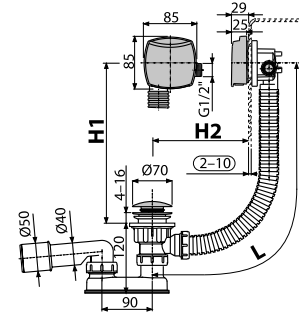
Bath CLICK/CLACK waste and trap, metal



Quantity (packing) 20 pcs  
 Quantity (pallet) 320 pcs  
 Material – plug/grid metal/plastic

**A508CKM**

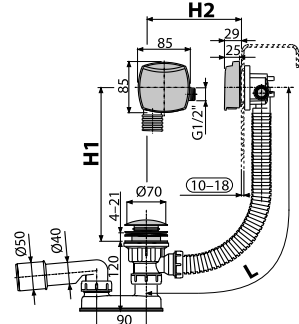
Bath CLICK/CLACK waste and trap, overflow filler, chrome



Quantity (packing) 12 pcs  
 Quantity (pallet) 192 pcs  
 Material – plug/control knob metal/plastic

**A509CKM**

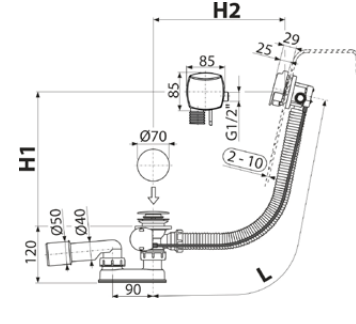
Bath CLICK/CLACK waste and trap, overflow filler, for thick-walled bathtubs, chrome



Quantity (packing) 12 pcs  
 Quantity (pallet) 192 pcs  
 Material – plug/control knob metal/plastic

**A564B**

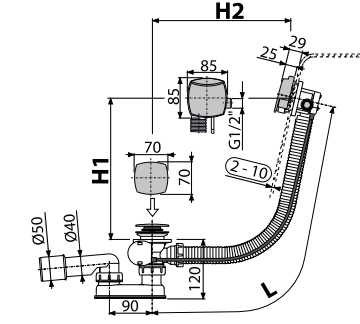
Bath pop-up waste and trap, with overflow filler, white-polished



Quantity (packing) 20 pcs  
 Quantity (pallet) 320 pcs  
 Material – plug/control knob metal/metal

**A564CRM2**

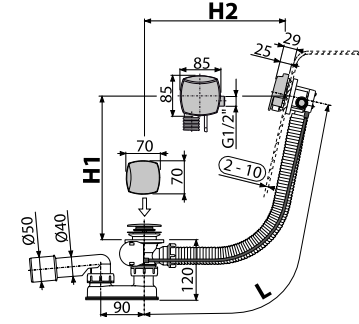
Bath pop-up waste and trap, with overflow filler, chrome



Quantity (packing) 12 pcs  
 Quantity (pallet) 192 pcs  
 Material – plug/control knob plastic/plastic

**A564CRM3**

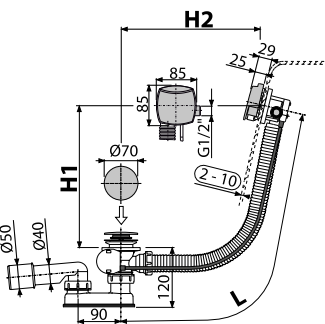
Bath pop-up waste and trap, with overflow filler, chrome



Quantity (packing) 12 pcs  
 Quantity (pallet) 192 pcs  
 Material – plug/control knob plastic/plastic

**A564CRM1**

Bath pop-up waste and trap, with overflow filler, chrome



Quantity (packing) 12 pcs  
 Quantity (pallet) 192 pcs  
 Material – plug/control knob plastic/plastic

**Top cleaning**

Products containing the top cleaning waste outlet (A392C, A392BLACK, A504CKM, A505CKM, A507CKM, A507BLACK, A508CKM, A509CKM, A516CKM, A465C-50, A465BLACK-50) now have a new construction design for even easier cleaning of the outlet.



**MECHANISM INNOVATION FOR LONGER LIFETIME**



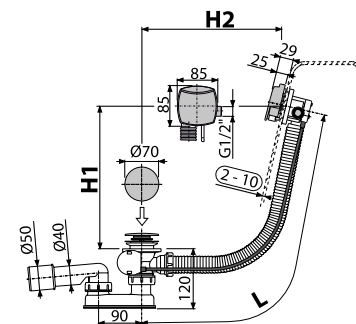
**EASY CLEANING REMOVABLE WASTE OUTLET**

Easy cleaning of the waste and trap from the top (from the inside bathtub area)



**A564KM1**

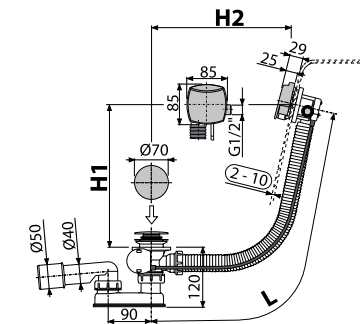
Bath pop-up waste and trap, with overflow filler, metal



Quantity (packing) 12 pcs  
 Quantity (pallet) 192 pcs  
 Material – plug/control knob metal/metal

**A564BLACK**

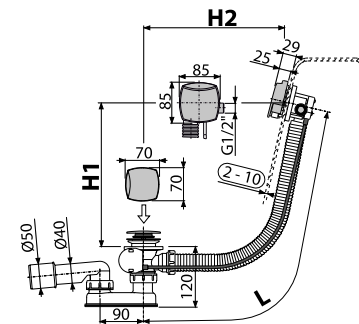
Bath pop-up waste and trap, with overflow filler, black-matt



Quantity (packing) 12 pcs  
 Quantity (pallet) 192 pcs  
 Material – plug/control knob metal/metal

**A564KM3**

Bath pop-up waste and trap, with overflow filler, metal



Quantity (packing) 12 pcs  
 Quantity (pallet) 192 pcs  
 Material – plug/control knob metal/metal

**A565CRM1**

Bath pop-up waste and trap, with overflow filler, for thick-walled bathtubs, chrome



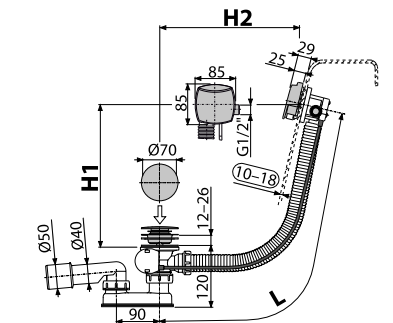
**A565KM1**

Bath pop-up waste and trap, with overflow filler, for thick-walled bathtubs, metal

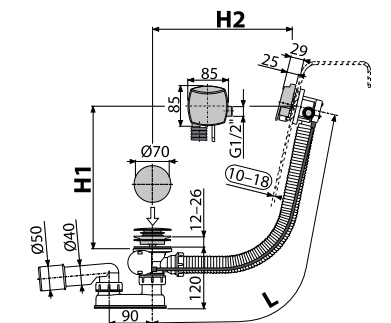


**A566-112122-57**

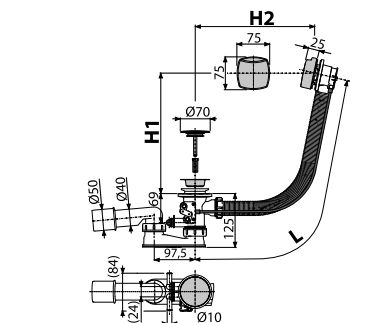
Bath waste and trap for whirlpool bathtubs, chrome



Quantity (packing)	12 pcs
Quantity (pallet)	192 pcs
Material – plug/control knob	plastic/plastic



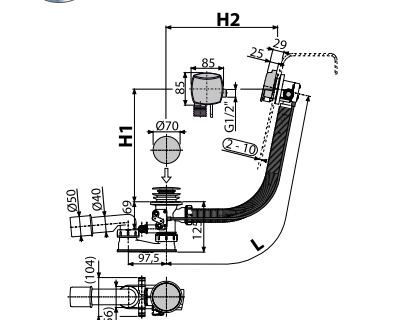
Quantity (packing)	12 pcs
Quantity (pallet)	192 pcs
Material – plug/control knob	metal/metal



Quantity (packing)	12 pcs
Quantity (pallet)	192 pcs
Material – plug/control knob	plastic/plastic

**A566-273133-57**

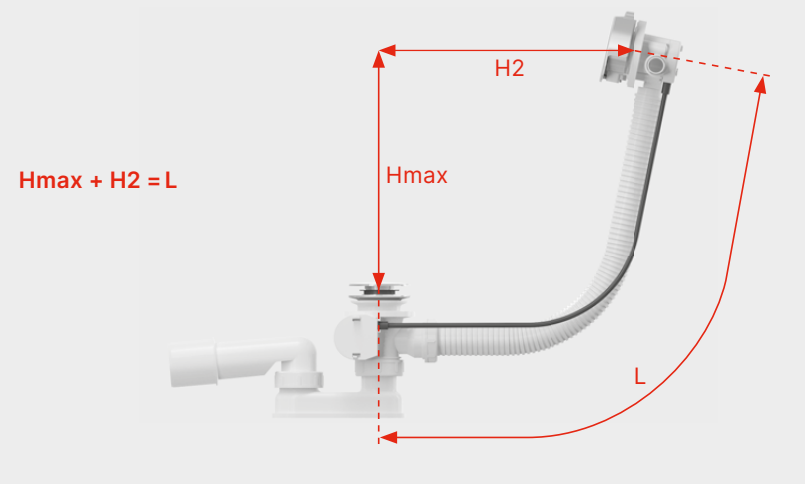
Bath waste and trap for whirlpool bathtubs with overflow filler, metal



Quantity (packing)	12 pcs
Quantity (pallet)	192 pcs
Material – plug/control knob	metal/metal

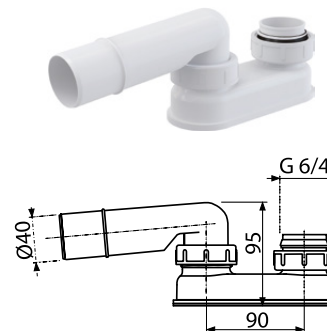
**Determining the length of Alca bath wastes**

Determining the necessary length of the bath waste for different bathtub models is very easy. The waste hole in the bottom of the tub and an the overflow opening in the wall of the tub are combined perpendiculars (Hmax and H2). By adding the perpendicular lines, then we get the desired waste length (L).



**A53-DN40**

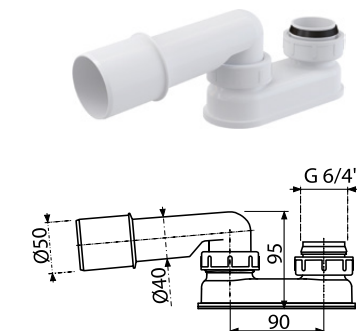
Odour trap



Quantity (packing)	75 pcs
Quantity (pallet)	1200 pcs
Material	polypropylene

**A53-DN50**

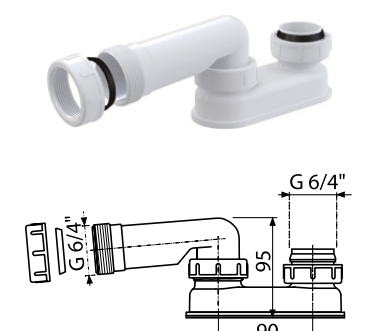
Odour trap



Quantity (packing)	70 pcs
Quantity (pallet)	1120 pcs
Material	polypropylene

**A53-6/4"**

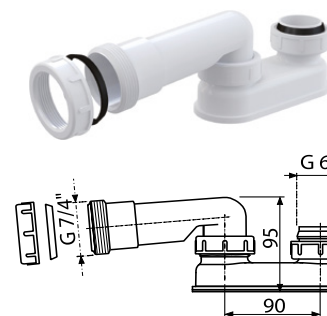
Odour trap



Quantity (packing)	75 pcs
Quantity (pallet)	1200 pcs
Material	polypropylene

**A53-7/4"**

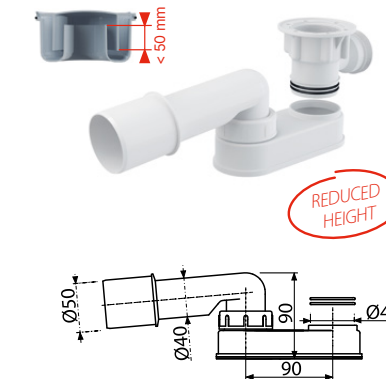
Odour trap



Quantity (packing)	75 pcs
Quantity (pallet)	1200 pcs
Material	polypropylene

**A531**

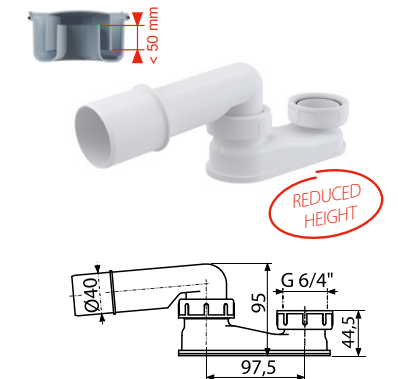
Odour trap lowered



Quantity (packing)	75 pcs
Quantity (pallet)	1200 pcs
Material	polypropylene

**A532-DN40**

Odour trap lowered



Quantity (packing)	75 pcs
Quantity (pallet)	1200 pcs
Material	polypropylene

**A532-DN50**

Odour trap lowered



Quantity (packing)	75 pcs
Quantity (pallet)	1200 pcs
Material	polypropylene

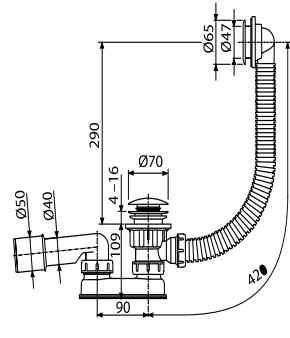
**A533-DN50**

Odour trap



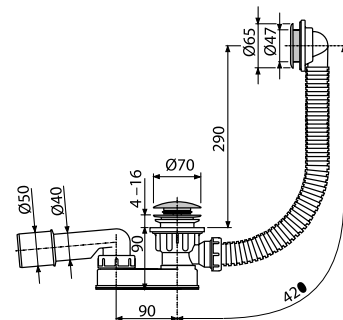
Quantity (packing)	75 pcs
Quantity (pallet)	1200 pcs
Material	polypropylene

**A503KM**  
Shower waste and trap CLICK/CLACK, metal



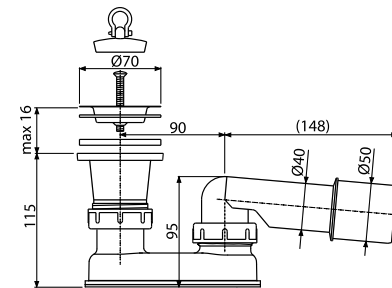
Quantity (packing)	25 pcs
Quantity (pallet)	400 pcs
Material – plug/grid	metal/plastic

**A506KM**  
Shower waste and trap CLICK/CLACK, metal



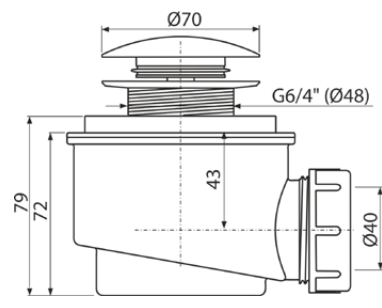
Quantity (packing)	25 pcs
Quantity (pallet)	400 pcs
Material – plug/grid	metal/plastic

**A461-50**  
Shower waste and trap



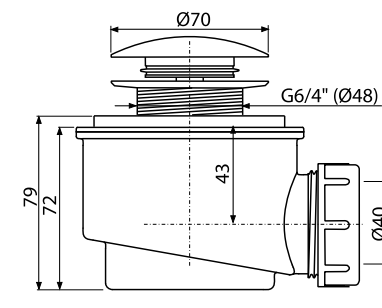
Quantity (packing)	50 pcs
Quantity (pallet)	800 pcs
Material	polypropylene

**A465B-50** new  
Shower waste and trap CLICK/CLACK, small plug, white-polished



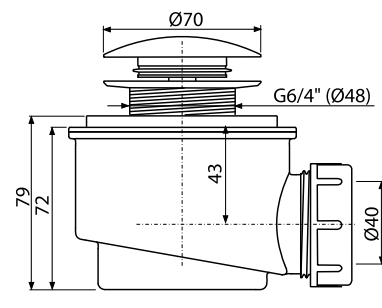
Quantity (packing)	30 pcs
Quantity (pallet)	840 pcs
Material – trap body/ plug	polypropylene/metal

**A465C-50**  
Shower waste and trap CLICK/CLACK, metal



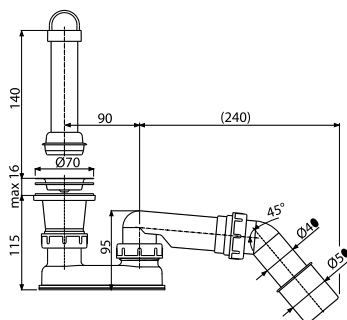
Quantity (packing)	30 pcs
Quantity (pallet)	840 pcs
Material – trap body/ plug	polypropylene/metal

**A465BLACK-50**  
Shower waste and trap CLICK/CLACK, black-matt



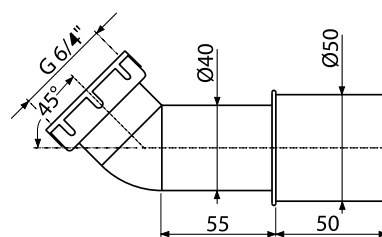
Quantity (packing)	30 pcs
Quantity (pallet)	840 pcs
Material – trap body/ plug	polypropylene/metal

**A462-50**  
Shower waste and trap, with overflow pipe and elbow



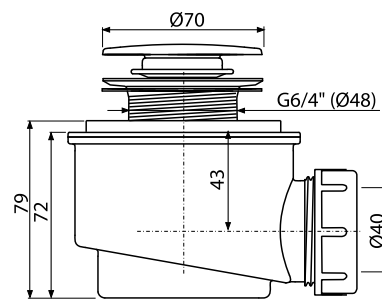
Quantity (packing)	35 pcs
Quantity (pallet)	560 pcs
Material	polypropylene

**A52**  
Elbow 45°



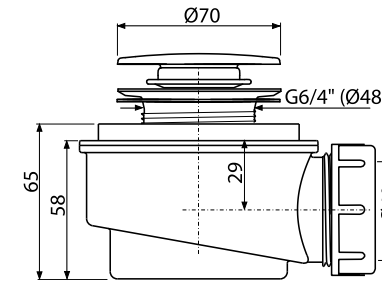
Quantity (packing)	75 pcs
Quantity (pallet)	2100 pcs
Material	ABS

**A466-50**  
Shower waste and trap CLICK/CLACK, chrome



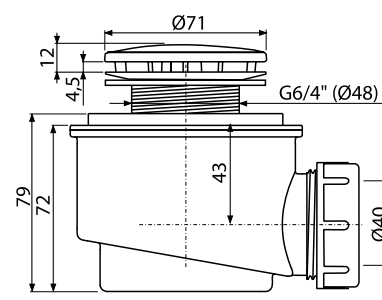
Quantity (packing)	30 pcs
Quantity (pallet)	840 pcs
Material – trap body/plug	polypropylene/plastic

**A476**  
Shower waste set CLICK/CLACK, chrome



Quantity (packing)	30 pcs
Quantity (pallet)	840 pcs
Material – trap body/plug	polypropylene/plastic

**A46-50**  
Shower waste and trap with stainless steel grid



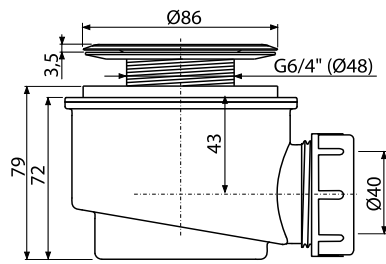
Quantity (packing)	30 pcs
Quantity (pallet)	840 pcs
Material – trap body/ cover	polypropylene/metal



**A46-60**  
Shower waste and trap with stainless steel grid



Ø60

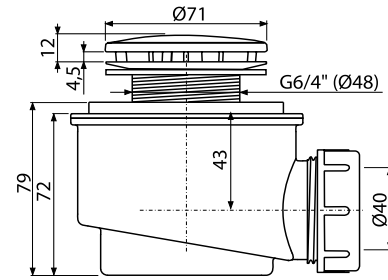


Quantity (packing) 30 pcs  
Quantity (pallet) 840 pcs  
Material – trap body/ polypropylene/metal cover

**A47B-50**  
Shower waste and trap, white-polished



Ø50

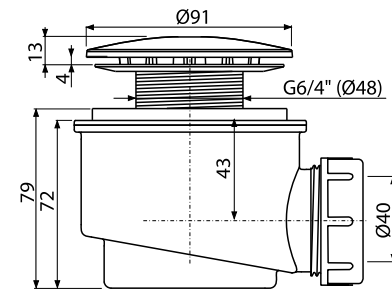


Quantity (packing) 30 pcs  
Quantity (pallet) 840 pcs  
Material – trap body/ polypropylene/plastic cover

**A47B-60**  
Shower waste and trap, white-polished



Ø60

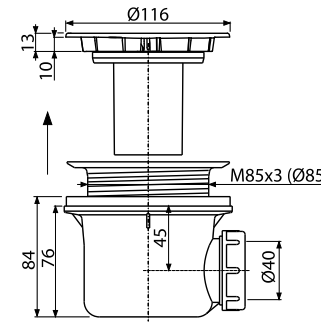


Quantity (packing) 30 pcs  
Quantity (pallet) 840 pcs  
Material – trap body/ polypropylene/plastic cover

**A49B**  
Shower waste and trap, white-polished



Ø90

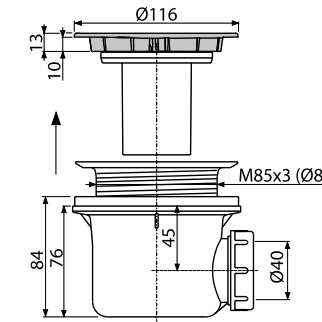


Quantity (packing) 24 pcs  
Quantity (pallet) 672 pcs  
Material – trap body/ polypropylene/plastic cover

**A49CR**  
Shower waste and trap, chrome



Ø90

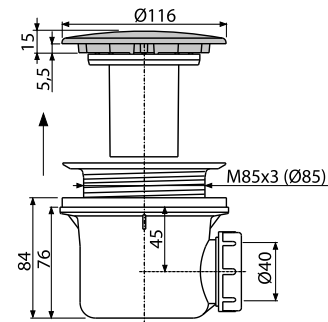


Quantity (packing) 24 pcs  
Quantity (pallet) 672 pcs  
Material – trap body/ polypropylene/plastic cover

**A49K**  
Shower waste and trap, metal LUX



Ø90

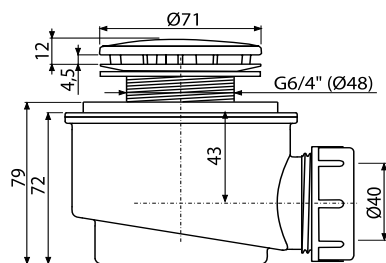


Quantity (packing) 24 pcs  
Quantity (pallet) 672 pcs  
Material – trap body/ polypropylene/metal cover

**A47CR-50**  
Shower waste and trap, chrome



Ø50

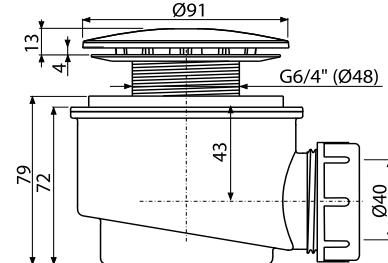


Quantity (packing) 30 pcs  
Quantity (pallet) 840 pcs  
Material – trap body/ polypropylene/plastic cover

**A47CR-60**  
Shower waste and trap, chrome



Ø60

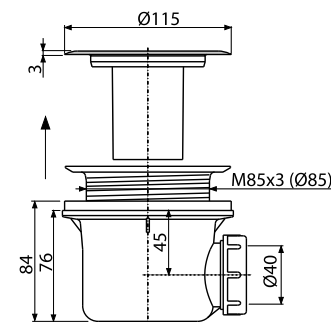


Quantity (packing) 30 pcs  
Quantity (pallet) 840 pcs  
Material – trap body/ polypropylene/plastic cover

**A48**  
Shower waste and trap with stainless steel grid



Ø90

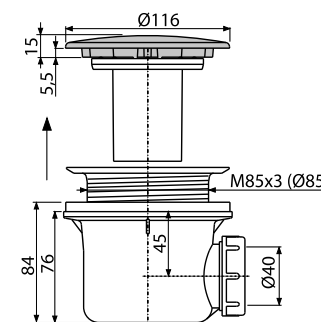


Quantity (packing) 24 pcs  
Quantity (pallet) 672 pcs  
Material – trap body/ polypropylene/metal cover

**A49K MAT**  
Shower waste and trap, metal LUX



Ø90

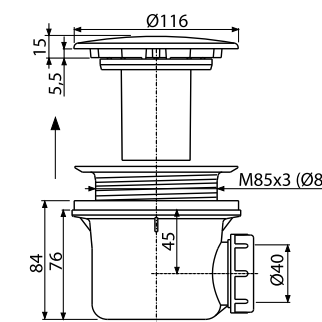


Quantity (packing) 24 pcs  
Quantity (pallet) 672 pcs  
Material – trap body/ polypropylene/metal cover

**A49K-B**  
Shower waste and trap, white-polished



Ø90

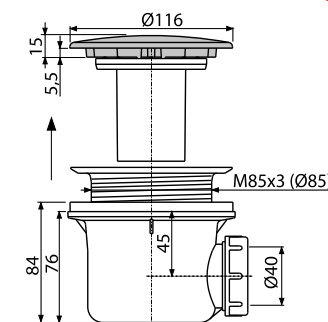


Quantity (packing) 24 pcs  
Quantity (pallet) 672 pcs  
Material – trap body/ polypropylene/metal cover

**A49BLACK**  
Shower waste and trap, black-matt



Ø90

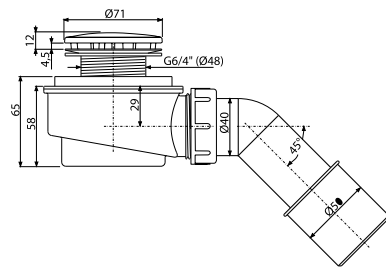


Quantity (packing) 24 pcs  
Quantity (pallet) 672 pcs  
Material – trap body/ polypropylene/metal cover

**A471CR-50**  
Shower waste set, chrome



REDUCED HEIGHT Ø50

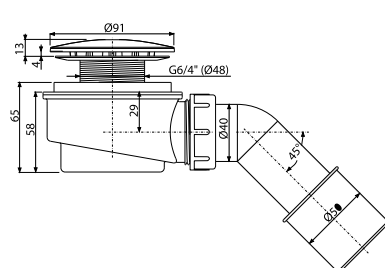


Quantity (packing) 25 pcs  
Quantity (pallet) 700 pcs  
Material – trap body/ polypropylene/plastic cover

**A471CR-60**  
Shower waste set, chrome



REDUCED HEIGHT Ø60

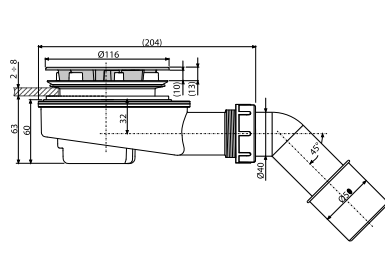


Quantity (packing) 25 pcs  
Quantity (pallet) 700 pcs  
Material – trap body/ polypropylene/plastic cover

**A491CR**  
Shower waste set, chrome



REDUCED HEIGHT Ø90

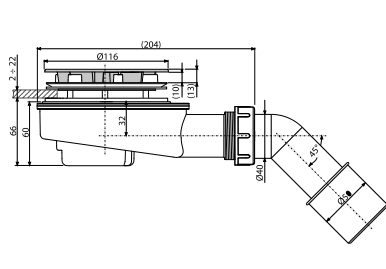


Quantity (packing) 15 pcs  
Quantity (pallet) 420 pcs  
Material – trap body/ polypropylene/plastic cover

**A492CR**  
Shower waste set for thick trays, chrome



REDUCED HEIGHT Ø90

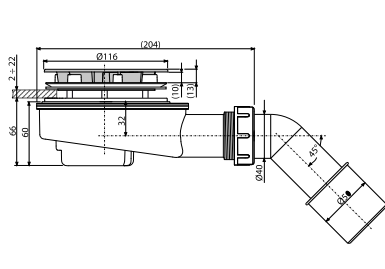


Quantity (packing) 15 pcs  
Quantity (pallet) 420 pcs  
Material – trap body/ polypropylene/plastic cover

**A491BLACK**  
Shower waste set, black-matt



REDUCED HEIGHT Ø90

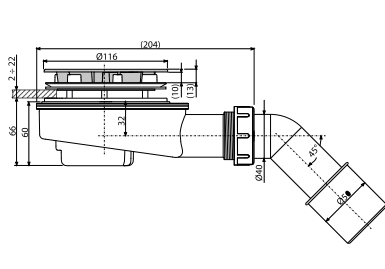


Quantity (packing) 15 pcs  
Quantity (pallet) 420 pcs  
Material – trap body/ polypropylene/plastic cover

**A492BLACK**  
Shower waste set for thick trays, black-matt



REDUCED HEIGHT Ø90



Quantity (packing) 15 pcs  
Quantity (pallet) 420 pcs  
Material – trap body/ polypropylene/plastic cover

**A41**  
Wash-basin waste and trap DN40 with stainless steel grid DN63

**A410**  
Wash-basin waste and trap DN32 with stainless steel grid DN63



Quantity (packing) 25 pcs  
Quantity (pallet) 700 pcs  
Material polypropylene

**A42**  
Wash-basin waste and trap DN40 with plastic grid DN63

**A420**  
Wash-basin waste and trap DN32 with plastic grid DN63



Quantity (packing) 25 pcs  
Quantity (pallet) 700 pcs  
Material polypropylene

**A411**  
Wash-basin waste and trap DN32 with stainless steel grid DN63



Quantity (packing) 25 pcs  
Quantity (pallet) 700 pcs  
Material polypropylene

**A412-DN40**  
Wash-basin waste and trap "S" DN40 with stainless steel grid DN63



Quantity (packing) 20 pcs  
Quantity (pallet) 560 pcs  
Material polypropylene

**A421**  
Wash-basin waste and trap DN32 with plastic grid DN63



Quantity (packing) 25 pcs  
Quantity (pallet) 700 pcs  
Material polypropylene

**A41P**  
Wash-basin waste and trap DN40 with connector and stainless steel grid DN63

**A410P**  
Wash-basin waste and trap DN32 with connector and stainless steel grid DN63



Quantity (packing) 20 pcs  
Quantity (pallet) 560 pcs  
Material polypropylene

**A42P**  
Wash-basin waste and trap DN40 with connector and plastic grid DN63

**A420P**  
Wash-basin waste and trap DN32 with connector and plastic grid DN63



Quantity (packing) 20 pcs  
Quantity (pallet) 560 pcs  
Material polypropylene

**A413**  
Space saving wash-basin trap DN63



Quantity (packing) 15 pcs  
Quantity (pallet) 420 pcs  
Material polypropylene

**A41R**  
Wash-basin waste and trap DN40 with stainless steel grid DN63, chain



Quantity (packing) 25 pcs  
Quantity (pallet) 700 pcs  
Material polypropylene

**A42R**  
Wash-basin waste and trap DN40 with plastic grid DN63, chain



Quantity (packing) 25 pcs  
Quantity (pallet) 700 pcs  
Material polypropylene

**A41PR**  
Wash-basin waste and trap DN40 with connector and stainless steel grid DN63, chain



Quantity (packing) 20 pcs  
Quantity (pallet) 560 pcs  
Material polypropylene

**A45F-DN40**  
Wash-basin and bidet trap DN40 plastic

**A45F-DN32**  
Wash-basin and bidet trap DN32 plastic



Quantity (packing) 25 pcs  
Quantity (pallet) 700 pcs  
Material polypropylene

**A31**  
Wash-basin waste 5/4" with stainless steel grid DN63



Quantity (packing) 100 pcs  
Quantity (pallet) 2800 pcs  
Material polypropylene

**A32**  
Wash-basin waste 5/4" with plastic grid DN63



Quantity (packing) 100 pcs  
Quantity (pallet) 2800 pcs  
Material polypropylene

**A31P**  
Wash-basin waste 6/4" with stainless steel grid DN63 and connector



Quantity (packing) 75 pcs  
Quantity (pallet) 2100 pcs  
Material polypropylene

**A43**  
Wash-basin trap DN40 with coupling nut 5/4"



Quantity (packing) 25 pcs  
Quantity (pallet) 700 pcs  
Material polypropylene

**A43P**  
Wash-basin trap DN40 with connector and coupling nut 5/4"



Quantity (packing) 25 pcs  
Quantity (pallet) 700 pcs  
Material polypropylene

**A434**  
Space-saving wash-basin trap DN40 with coupling nut 5/4"



Quantity (packing) 10 pcs  
Quantity (pallet) 280 pcs  
Material polypropylene

**A439**  
Wash-basin waste 5/4", metal



Quantity (packing) 40 pcs  
Quantity (pallet) 640 pcs  
Material stainless steel

**A750+A31**  
Flexi pipe 5/4"x32/40 plastic + Wash-basin waste 5/4" with stainless steel grid DN63



Quantity (packing) 75 pcs  
Quantity (pallet) 1200 pcs  
Material polypropylene

**A391**  
Wash-basin CLICK/CLACK waste 5/4", metal with overflow, small plug



Quantity (packing) 40 pcs  
Quantity (pallet) 1280 pcs  
Material metal with chrome finish

**A80-DN32**  
Pipe trap with coupling nut 5/4"



Quantity (packing) 15 pcs  
Quantity (pallet) 420 pcs  
Material polypropylene

**A80-DN50/40** new  
Pipe trap with coupling nut 6/4" and flexi pipe



Quantity (packing) 15 pcs  
Quantity (pallet) 420 pcs  
Material polypropylene

**P066-ND**  
Set of spare seals for wash-basin traps



Quantity (packing) -  
Quantity (pallet) -  
Material rubber

**A392C**  
Wash-basin CLICK/CLACK waste 5/4", metal with overflow, big plug



Quantity (packing) 30 pcs  
Quantity (pallet) 960 pcs  
Material metal with chrome finish

**A392B**  
Wash-basin CLICK/CLACK waste 5/4" metal with overflow, big white plug



Quantity (packing) 30 pcs  
Quantity (pallet) 960 pcs  
Material metal with white-polished finish

**A392BLACK**  
Wash-basin CLICK/CLACK waste 5/4", metal with overflow, big plug black-matt finish



Quantity (packing) 30 pcs  
Quantity (pallet) 960 pcs  
Material metal with black-matt finish



**A392-G-P**

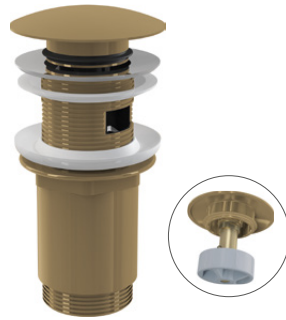
Wash-basin CLICK/CLACK waste 5/4" metal with overflow, big plug, GOLD-polished



Quantity (packing)	30 pcs
Quantity (pallet)	960 pcs
Material	metal with PVD finish

**A392-G-B**

Wash-basin CLICK/CLACK waste 5/4" metal with overflow, big plug, GOLD-brushed matt



Quantity (packing)	30 pcs
Quantity (pallet)	960 pcs
Material	metal with PVD finish

**A392-RG-B**

Wash-basin CLICK/CLACK waste 5/4" metal with overflow, big plug, RED GOLD-brushed matt



Quantity (packing)	30 pcs
Quantity (pallet)	960 pcs
Material	metal with PVD finish

**A392-RG-P**

Wash-basin CLICK/CLACK waste 5/4" metal with overflow, big plug, RED GOLD-polished



Quantity (packing)	30 pcs
Quantity (pallet)	960 pcs
Material	metal with PVD finish

**A392-N-P**

Wash-basin CLICK/CLACK waste 5/4" metal with overflow, big plug, NICKEL-polished



Quantity (packing)	30 pcs
Quantity (pallet)	960 pcs
Material	metal with PVD finish

**A392-N-B**

Wash-basin CLICK/CLACK waste 5/4" metal with overflow, big plug, NICKEL-brushed matt



Quantity (packing)	30 pcs
Quantity (pallet)	960 pcs
Material	metal with PVD finish

**A392-GM-P**

Wash-basin CLICK/CLACK waste 5/4" metal with overflow, big plug, GUN METAL-polished



Quantity (packing)	30 pcs
Quantity (pallet)	960 pcs
Material	metal with PVD finish

**A392-GM-B**

Wash-basin CLICK/CLACK waste 5/4" metal with overflow, big plug, GUN METAL-brushed matt



Quantity (packing)	30 pcs
Quantity (pallet)	960 pcs
Material	metal with PVD finish

**A393**

Wash-basin CLICK/CLACK waste 5/4", metal with overflow, square plug



Quantity (packing)	30 pcs
Quantity (pallet)	840 pcs
Material	metal with chrome finish

**A394**

Wash-basin CLICK/CLACK waste 5/4", metal without overflow, small plug



Quantity (packing)	40 pcs
Quantity (pallet)	1120 pcs
Material	metal with chrome finish

**A39**

Wash-basin CLICK/CLACK waste 5/4", metal with overflow, small plug



Quantity (packing)	40 pcs
Quantity (pallet)	1120 pcs
Material	metal with chrome finish

**A396SN**

Wash-basin waste 5/4", metal, big non-closing plug, for wash-basins without overflow



Quantity (packing)	30 pcs
Quantity (pallet)	840 pcs
Material	metal with chrome finish

**A395**

Wash-basin CLICK/CLACK waste 5/4", metal without overflow, big plug



Quantity (packing)	30 pcs
Quantity (pallet)	840 pcs
Material	metal with chrome finish

**A390**

Wash-basin CLICK/CLACK waste 5/4", metal with overflow, big plug



Quantity (packing)	40 pcs
Quantity (pallet)	1120 pcs
Material	metal with chrome finish

**A396BLACK**

Wash-basin waste 5/4", metal, big non-closing plug, for wash-basins without overflow, black-matt



Quantity (packing)	30 pcs
Quantity (pallet)	840 pcs
Material	metal with black-matt finish

**A395B**

Wash-basin CLICK/CLACK waste 5/4", metal without overflow, big white plug, for plastic and glass wash-basins



Quantity (packing)	30 pcs
Quantity (pallet)	840 pcs
Material	metal with white-polished finish

**A396**

Wash-basin waste 5/4", metal, big non-closing plug, for wash-basins without overflow



Quantity (packing)	30 pcs
Quantity (pallet)	840 pcs
Material	metal with chrome finish

**A396B**

Wash-basin waste 5/4", metal, big non-closing plug, for wash-basins without overflow, white-polished



Quantity (packing)	30 pcs
Quantity (pallet)	840 pcs
Material	metal with white-polished finish

**A328B**  
Wash-basin overflow, white



Quantity (packing) 50 pcs  
Quantity (pallet) 800 pcs  
Material - body/cap polypropylene/plastic

**A328CR**  
Wash-basin overflow, chrome



Quantity (packing) 50 pcs  
Quantity (pallet) 800 pcs  
Material - body/cap polypropylene/chrome-plated plastic

**ARV001**  
Angle valve with a filter 1/2"x3/8", round



Quantity (packing) 60 pcs  
Quantity (pallet) 1680 pcs  
Material metal with chrome finish

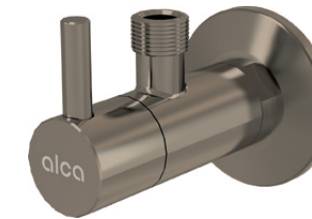
**ARV003**  
Angle valve with a filter 1/2"x1/2", round

**ARV001-N-P**  
Angle valve with a filter 1/2"x3/8", NICKEL-polished



Quantity (packing) 60 pcs  
Quantity (pallet) 1680 pcs  
Material metal with PVD finish

**ARV001-N-B**  
Angle valve with a filter 1/2"x3/8", NICKEL-brushed matt



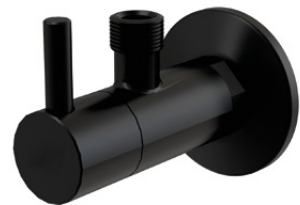
Quantity (packing) 60 pcs  
Quantity (pallet) 1680 pcs  
Material metal with PVD finish

**ARV001-GM-P**  
Angle valve with a filter 1/2"x3/8", GUN METAL-polished



Quantity (packing) 60 pcs  
Quantity (pallet) 1680 pcs  
Material metal with PVD finish

**ARV001-BLACK**  
Angle valve with a filter 1/2"x3/8", black-matt



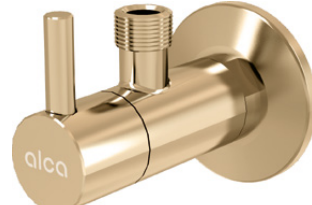
Quantity (packing) 60 pcs  
Quantity (pallet) 1680 pcs  
Material metal with black-matt finish

**ARV001B**  
Angle valve with a filter 1/2"x3/8", round, white



Quantity (packing) 72 pcs  
Quantity (pallet) 1680 pcs  
Material metal with white-polished finish

**ARV001-G-P**  
Angle valve with a filter 1/2"x3/8", GOLD-polished



Quantity (packing) 60 pcs  
Quantity (pallet) 1680 pcs  
Material metal with PVD finish

**ARV001-GM-B**  
Angle valve with a filter 1/2"x3/8", GUN METAL-brushed matt



Quantity (packing) 60 pcs  
Quantity (pallet) 1680 pcs  
Material metal with PVD finish

**ARV002**  
Angle valve 1/2"x3/8", square



Quantity (packing) 72 pcs  
Quantity (pallet) 2016 pcs  
Material metal with chrome finish

**ARV004**  
Angle valve 1/2"x1/2", square



Quantity (packing) 12 pcs  
Quantity (pallet) 336 pcs  
Material chrome-plated brass

**A400**  
Wash-basin trap DN32 DESIGN metal, round

**ARV001-G-B**  
Angle valve with a filter 1/2"x3/8", GOLD-brushed matt



Quantity (packing) 60 pcs  
Quantity (pallet) 1680 pcs  
Material metal with PVD finish

**ARV001-RG-P**  
Angle valve with a filter 1/2"x3/8", RED GOLD-polished



Quantity (packing) 60 pcs  
Quantity (pallet) 1680 pcs  
Material metal with PVD finish

**ARV001-RG-B**  
Angle valve with a filter 1/2"x3/8", RED GOLD-brushed matt



Quantity (packing) 60 pcs  
Quantity (pallet) 1680 pcs  
Material metal with PVD finish

**A400BLACK**  
Wash-basin trap DESIGN DN32, black-matt



Quantity (packing) 12 pcs  
Quantity (pallet) 336 pcs  
Material chrome-plated brass with black-matt finish

**A400B**  
Wash-basin trap DN32 DESIGN metal, round, white



Quantity (packing) 12 pcs  
Quantity (pallet) 336 pcs  
Material chrom-plated brass with white-polished finish

**A400-G-P**  
Wash-basin trap DESIGN DN32, GOLD-polished



Quantity (packing) 12 pcs  
Quantity (pallet) 336 pcs  
Material brass with PVD finish

**A400-G-B**  
Wash-basin trap DESIGN DN32, GOLD-brushed matt



Quantity (packing) 12 pcs  
Quantity (pallet) 336 pcs  
Material brass with PVD finish

**A400-RG-P**  
Wash-basin trap DESIGN DN32, RED GOLD-polished



Quantity (packing) 12 pcs  
Quantity (pallet) 336 pcs  
Material brass with PVD finish

**A400-RG-B**  
Wash-basin trap DESIGN DN32, RED GOLD-brushed matt



Quantity (packing) 12 pcs  
Quantity (pallet) 336 pcs  
Material brass with PVD finish

**A403**  
Wash-basin trap DESIGN, metal DN32, space saving



Quantity (packing) 10 pcs  
Quantity (pallet) 160 pcs  
Material chrome-plated brass

**A431**  
Wash-basin trap DN32 with coupling nut 5/4", metal



Quantity (packing) 20 pcs  
Quantity (pallet) 560 pcs  
Material chrome-plated brass

**A437**  
Wash-basin trap, metal DN32, with metal waste 5/4"



Quantity (packing) 20 pcs  
Quantity (pallet) 560 pcs  
Material chrome-plated brass

**A400-N-P**  
Wash-basin trap DESIGN DN32, NICKEL-polished



Quantity (packing) 12 pcs  
Quantity (pallet) 336 pcs  
Material brass with PVD finish

**A400-N-B**  
Wash-basin trap DESIGN DN32, NICKEL-brushed matt



Quantity (packing) 12 pcs  
Quantity (pallet) 336 pcs  
Material brass with PVD finish

**A400-GM-P**  
Wash-basin trap DESIGN DN32, GUN METAL-polished



Quantity (packing) 12 pcs  
Quantity (pallet) 336 pcs  
Material brass with PVD finish

**A432**  
Wash-basin trap "U" DN32, with coupling nut 5/4", metal



Quantity (packing) 25 pcs  
Quantity (pallet) 700 pcs  
Material chrome-plated brass

**A4320**  
Wash-basin trap "U" DN32, with coupling nut 5/4", metal



Quantity (packing) 20 pcs  
Quantity (pallet) 560 pcs  
Material chrome-plated brass

**A4320BLACK**  
Wash-basin trap "U" DN32, with coupling nut 5/4", black-matt



Quantity (packing) 20 pcs  
Quantity (pallet) 320 pcs  
Material chrome-plated brass with black-matt finish

**A400-GM-B**  
Wash-basin trap DESIGN DN32, GUN METAL-brushed matt



Quantity (packing) 12 pcs  
Quantity (pallet) 336 pcs  
Material brass with PVD finish

**A401**  
Wash-basin trap DN32 DESIGN metal, square



Quantity (packing) 12 pcs  
Quantity (pallet) 336 pcs  
Material chrome-plated brass

**A402**  
Wash-basin trap DESIGN, metal DN32, massive



Quantity (packing) 7 pcs  
Quantity (pallet) 252 pcs  
Material chrome-plated brass

**A438**  
Metal elbow DN32, 5/4" nut



Quantity (packing) 15 pcs  
Quantity (pallet) 420 pcs  
Material chrome-plated metal

**A4000**  
Extension piece DN32



Quantity (packing) 50 pcs  
Quantity (pallet) 1400 pcs  
Material chrome-plated brass

**A4000BLACK**  
Extension piece DN32, black-matt



Quantity (packing) 50 pcs  
Quantity (pallet) 1400 pcs  
Material chrome-plated brass with black-matt finish



**A4000B**

Extension piece DN32, white



Quantity (packing)	15 pcs
Quantity (pallet)	420 pcs
Material	chrom-plated brass with white-polished finish

**A441-DN50/40**

Sink waste and trap with stainless steel grid DN70



Quantity (packing)	25 pcs
Quantity (pallet)	700 pcs
Material	polypropylene

**A441P-DN50/40**

Sink waste and trap with stainless steel grid DN70 and connector



Quantity (packing)	20 pcs
Quantity (pallet)	560 pcs
Material	polypropylene

**A447-DN50/40**

Sink waste and trap with stainless steel grid DN115 and flexi overflow



Quantity (packing)	15 pcs
Quantity (pallet)	420 pcs
Material	polypropylene

**A447P-DN50/40**

Sink waste and trap with stainless steel grid DN115, flexi overflow and connector



Quantity (packing)	14 pcs
Quantity (pallet)	392 pcs
Material	polypropylene

**A449-DN50/40**

Double sink wastes and trap with stainless steel grids DN70



Quantity (packing)	10 pcs
Quantity (pallet)	280 pcs
Material	polypropylene

**A442-DN50/40**

Sink waste and trap with plastic grid DN70



Quantity (packing)	25 pcs
Quantity (pallet)	700 pcs
Material	polypropylene

**A442P-DN50/40**

Sink waste and trap with plastic grid DN70 and connector



Quantity (packing)	20 pcs
Quantity (pallet)	560 pcs
Material	polypropylene

**A444-DN50/40**

Sink waste and trap with stainless steel grid DN70 and flexi overflow



Quantity (packing)	15 pcs
Quantity (pallet)	420 pcs
Material	polypropylene

**A449P-DN50/40**

Double sink wastes and trap with stainless steel grids DN70 and connector



Quantity (packing)	10 pcs
Quantity (pallet)	280 pcs
Material	polypropylene

**A453P**

Double sink wastes and trap with stainless steel grids DN115 and connector



Quantity (packing)	10 pcs
Quantity (pallet)	160 pcs
Material	polypropylene

**A454P**

Double sink wastes and trap with stainless steel grids DN115 and connector, two-level



Quantity (packing)	8 pcs
Quantity (pallet)	224 pcs
Material	polypropylene

**A444P-DN50/40**

Sink waste and trap with stainless steel grid DN70, flexi overflow and connector



Quantity (packing)	15 pcs
Quantity (pallet)	420 pcs
Material	polypropylene

**A446-DN50/40**

Sink waste and trap with stainless steel grid DN115



Quantity (packing)	15 pcs
Quantity (pallet)	420 pcs
Material	polypropylene

**A446P-DN50/40**

Sink waste and trap with stainless steel grid DN115 and connector



Quantity (packing)	15 pcs
Quantity (pallet)	420 pcs
Material	polypropylene

**A456P**

Double sink wastes and trap with stainless steel grids DN115, overflow and connector, two-level



Quantity (packing)	8 pcs
Quantity (pallet)	128 pcs
Material	polypropylene

**A800-DN40**

Sink waste and pipe trap with stainless steel grid DN70



Quantity (packing)	15 pcs
Quantity (pallet)	420 pcs
Material	polypropylene

**A800-DN50**

Sink waste and pipe trap with stainless steel grid DN70

**A810-DN40**

Sink waste and pipe trap with stainless steel grid DN70 and connector



Quantity (packing)	15 pcs
Quantity (pallet)	420 pcs
Material	polypropylene

**A810-DN50**

Sink waste and pipe trap with stainless steel grid DN70 and connector

**A820-DN40**

Sink waste and pipe trap with stainless steel grid DN70 and two connectors



Quantity (packing)	20 pcs
Quantity (pallet)	320 pcs
Material	polypropylene

**A820-DN50**

Sink waste and pipe trap with stainless steel grid DN70 and two connectors

**A830-DN50/40**

Sink waste and pipe trap with stainless steel grid DN70, connector and flexi pipe



Quantity (packing)	10 pcs
Quantity (pallet)	280 pcs
Material	polypropylene

**A840-DN50/40**

Sink waste and pipe trap with stainless steel grid DN70, two connectors and flexi pipe



Quantity (packing)	10 pcs
Quantity (pallet)	280 pcs
Material	polypropylene

**P109**

Space-saving connector 6/4"



Quantity (packing)	25 pcs
Quantity (pallet)	400 pcs
Material	polypropylene

**A443-DN50/40**

Sink trap with coupling nut 6/4"



Quantity (packing)	25 pcs
Quantity (pallet)	700 pcs
Material	polypropylene

**A443P-DN50/40**

Sink trap with coupling nut 6/4" and connector



Quantity (packing)	25 pcs
Quantity (pallet)	700 pcs
Material	polypropylene

**A870P-DN40**

Space conserving sink trap DN40 with a connector



Quantity (packing)	15 pcs
Quantity (pallet)	240 pcs
Material	polypropylene

**A464-DN50**

Shower waste and trap DN80



Quantity (packing)	25 pcs
Quantity (pallet)	400 pcs
Material	polypropylene

**A8000**

Universal sink trap set



Quantity (packing)	5 pcs
Quantity (pallet)	80 pcs
Material	polypropylene

**A448-DN50/40**

Double sink trap with coupling nut 6/4"



Quantity (packing)	10 pcs
Quantity (pallet)	280 pcs
Material	polypropylene

**A448P-DN50/40**

Double sink trap with coupling nut 6/4" and connector



Quantity (packing)	10 pcs
Quantity (pallet)	280 pcs
Material	polypropylene

**A80-DN40 / A80-DN50**

Pipe trap with coupling nut 6/4"



Quantity (packing)	15 pcs
Quantity (pallet)	420 pcs
Material	polypropylene

**A80-DN32**

Pipe trap with coupling nut 5/4"

**P067-ND**

Set of spare seals for sink traps



Quantity (packing)	-
Quantity (pallet)	-
Material	rubber

**P046**

Pipe with rosette DN40



Quantity (packing)	50 pcs
Quantity (pallet)	1400 pcs
Material	PVC

**P047**

Pipe with rosette DN50



Quantity (packing)	40 pcs
Quantity (pallet)	1120 pcs
Material	PVC

**A81-DN40**

Pipe trap with coupling nut 6/4" and connector



Quantity (packing)	15 pcs
Quantity (pallet)	420 pcs
Material	polypropylene

**A81-DN50**

Pipe trap with coupling nut 6/4" and connector

**A82-DN40**

Pipe trap with coupling nut 6/4" and two connectors



Quantity (packing)	20 pcs
Quantity (pallet)	320 pcs
Material	polypropylene

**A82-DN50**

Pipe trap with coupling nut 6/4" and two connectors

**A83-DN50/40**

Pipe trap with coupling nut 6/4", connector and flexi pipe



Quantity (packing)	10 pcs
Quantity (pallet)	280 pcs
Material	polypropylene

**A84-DN50/40**

Pipe trap with coupling nut 6/4", two connectors and flexi pipe



Quantity (packing)	10 pcs
Quantity (pallet)	280 pcs
Material	polypropylene

**A872P**

Space-saving sink trap with a connector and coupling nut 6/4"



Quantity (packing)	15 pcs
Quantity (pallet)	420 pcs
Material	polypropylene

**A873**

Universal trap, concealed, space-saving



Quantity (packing)	10 pcs
Quantity (pallet)	280 pcs
Material	polypropylene

**A38**

Sink waste 6/4" with stainless steel grid DN115 and flexi overflow



Quantity (packing)	25 pcs
Quantity (pallet)	700 pcs
Material	polypropylene

**A30**

Adapter pipe 6/4" with connector



Quantity (packing)	75 pcs
Quantity (pallet)	2100 pcs
Material	polypropylene

**A44MN-DN40**

Adapter pipe with coupling nut 6/4"



Quantity (packing)	25 pcs
Quantity (pallet)	400 pcs
Material	polypropylene

**A770+A33**

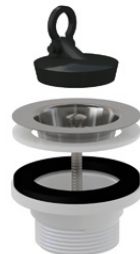
Flexi pipe 6/4"x40/50 plastic + Sink waste 6/4" with stainless steel grid DN70



Quantity (packing)	50 pcs
Quantity (pallet)	800 pcs
Material	polypropylene

**A33**

Sink waste 6/4" with stainless steel grid DN70



Quantity (packing)	100 pcs
Quantity (pallet)	2800 pcs
Material	polypropylene

**A33P**

Sink waste 6/4" with stainless steel grid DN70 and with connector



Quantity (packing)	75 pcs
Quantity (pallet)	2100 pcs
Material	polypropylene

**A44MS-DN40**

Adapter pipe with coupling nut 6/4" and connector



Quantity (packing)	25 pcs
Quantity (pallet)	400 pcs
Material	polypropylene

**A44M-DN40**

Adapter pipe with coupling nut 6/4" and two connectors



Quantity (packing)	25 pcs
Quantity (pallet)	700 pcs
Material	polypropylene

**A300**

Adapter pipe 5/4"-6/4" a 6/4"-5/4" with connector



Quantity (packing)	60 pcs
Quantity (pallet)	1680 pcs
Material	polypropylene

**A331**

Sink waste 6/4" with stainless steel grid DN70 and flexi overflow



Quantity (packing)	40 pcs
Quantity (pallet)	1120 pcs
Material	polypropylene

**A34**

Raised sink waste 6/4" with stainless steel grid DN70



Quantity (packing)	100 pcs
Quantity (pallet)	2800 pcs
Material	polypropylene

**A37**

Sink waste 6/4" with stainless steel grid DN115



Quantity (packing)	50 pcs
Quantity (pallet)	1400 pcs
Material	polypropylene

**S0556-ND**

Reduction 6/4"x5/4"



Quantity (packing)	100 pcs
Quantity (pallet)	3200 pcs
Material	polypropylene

**S0506-ND**

Reduction 5/4"x6/4"



Quantity (packing)	100 pcs
Quantity (pallet)	3200 pcs
Material	polypropylene

**S0507-ND**

Reduction 6/4"x5/4"



Quantity (packing)	100 pcs
Quantity (pallet)	3200 pcs
Material	polypropylene



**P0048-ND**  
Connector set G1"/17–23



Quantity (packing)	100 pcs
Quantity (pallet)	1600 pcs
Material	polypropylene

**P0049-ND**  
Connector set G1"/8–16



Quantity (packing)	100 pcs
Quantity (pallet)	1600 pcs
Material	polypropylene

**P148**  
Double connector G1"/17–23



Quantity (packing)	70 pcs
Quantity (pallet)	1960 pcs
Material	polypropylene

**S0156-ND**  
Wrapping seal 50/40



Quantity (packing)	1 pcs
Quantity (pallet)	–
Material	rubber

**S0688-ND**  
Wrapping seal 36/10



Quantity (packing)	1 pcs
Quantity (pallet)	–
Material	rubber

**Z0003-ND**  
Wrapping seal 40/32



Quantity (packing)	1 pcs
Quantity (pallet)	–
Material	rubber

**P148Z**  
Double connector G1"/17–23 with valves



Quantity (packing)	70 pcs
Quantity (pallet)	1960 pcs
Material	polypropylene

**P149Z**  
Double connector G1"/8–23 with valves



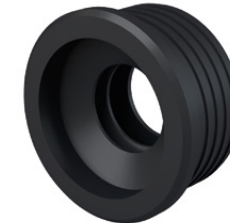
Quantity (packing)	70 pcs
Quantity (pallet)	1960 pcs
Material	polypropylene

**P155Z**  
Double connector DN40/32 / 17–23 with valves



Quantity (packing)	50 pcs
Quantity (pallet)	800 pcs
Material	polypropylene

**Z0004-ND**  
Wrapping seal 50/32



Quantity (packing)	1 pcs
Quantity (pallet)	–
Material	rubber

**S1606-ND**  
Wrapping seal 63/40



Quantity (packing)	1 pcs
Quantity (pallet)	–
Material	rubber

**Z0026-ND**  
Wrapping seal 60/32



Quantity (packing)	1 pcs
Quantity (pallet)	–
Material	rubber

**P156Z**  
Double connector DN40/32 / 8–23 with valves



Quantity (packing)	50 pcs
Quantity (pallet)	800 pcs
Material	polypropylene

**P066-ND**  
Set of spare seals for wash-basin traps



Quantity (packing)	1 pcs
Quantity (pallet)	–
Material	rubber

**P067-ND**  
Set of spare seals for sink traps



Quantity (packing)	1 pcs
Quantity (pallet)	–
Material	rubber

**A22**  
Rosette – cover piece of wash-basin overflow DN33



Quantity (packing)	200 pcs
Quantity (pallet)	5600 pcs
Material	chrome-plated plastic

**A21**  
Rosette – cover piece of wash-basin overflow DN35



Quantity (packing)	200 pcs
Quantity (pallet)	5600 pcs
Material	chrome-plated plastic

**A45A**  
Urinal trap with rubber sleeve



Quantity (packing) 25 pcs  
Quantity (pallet) 700 pcs  
Material polypropylene

**A45B**  
Urinal trap horizontal outlet DN40



Quantity (packing) 25 pcs  
Quantity (pallet) 700 pcs  
Material polypropylene

**A45C**  
Urinal trap vertical outlet DN40 and DN50



Quantity (packing) 25 pcs  
Quantity (pallet) 700 pcs  
Material polypropylene

**AKS1**  
Funnel trap for dripping condensate DN32



Quantity (packing) 50 pcs  
Quantity (pallet) 1400 pcs  
Material polypropylene

**AKS1Z**  
Funnel trap for dripping condensate DN32



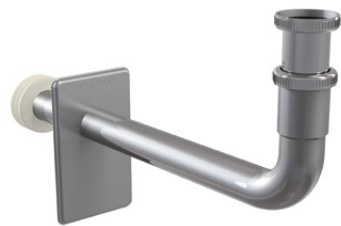
Quantity (packing) 50 pcs  
Quantity (pallet) 1400 pcs  
Material polypropylene

**AKS2**  
Trap for dripping condensate DN40



Quantity (packing) 15 pcs  
Quantity (pallet) 420 pcs  
Material polypropylene

**A438**  
Metal elbow DN32, 5/4" nut



Quantity (packing) 15 pcs  
Quantity (pallet) 420 pcs  
Material chrome-plated metal

**A45E**  
Bidet trap DN32 metal



Quantity (packing) 25 pcs  
Quantity (pallet) 700 pcs  
Material chrome-plated metal

**A45F-DN32**  
Wash-basin and bidet trap DN32 plastic



Quantity (packing) 25 pcs  
Quantity (pallet) 700 pcs  
Material polypropylene

**A45F-DN40**  
Wash-basin and bidet trap DN40 plastic

**AKS3**  
Trap for dripping condensate DN40



Quantity (packing) 15 pcs  
Quantity (pallet) 420 pcs  
Material polypropylene

**AKS4**  
Trap for dripping condensate, concealed, stainless steel DN40 and DN50



Quantity (packing) 25 pcs  
Quantity (pallet) 400 pcs  
Material polypropylene

**AKS5**  
Funnel trap for dripping condensate with tube holder DN32



Quantity (packing) 60 pcs  
Quantity (pallet) 960 pcs  
Material polypropylene

**A45G**  
Bidet trap DN32 metal



Quantity (packing) 25 pcs  
Quantity (pallet) 800 pcs  
Material chrome-plated metal

**ATS001**  
Button urinal flushing valve



Quantity (packing) 20 pcs  
Quantity (pallet) 560 pcs  
Material chrome-plated metal

**AKS6**  
Reduction HT 40/50xG1/2"



Quantity (packing) 100 pcs  
Quantity (pallet) 2800 pcs  
Material polypropylene

**AKS7**  
Trap for dripping condensate, concealed, stainless steel DN40 and DN50



Quantity (packing) 25 pcs  
Quantity (pallet) 400 pcs  
Material polypropylene

**AKS8-DN40**  
Pipe trap with funnel for dripping condensate DN40

new from II. Q

**AKS8-DN50**  
Pipe trap with funnel for dripping condensate DN50

new from II. Q



Quantity (packing) 15 pcs  
Quantity (pallet) 420 pcs  
Material polypropylene

**APS1**  
External washing machine trap, chrome  
DN32



Quantity (packing) 100 pcs  
Quantity (pallet) 2800 pcs  
Material chrome-plated ABS

**APS2**  
External washing machine trap, white  
DN32



Quantity (packing) 100 pcs  
Quantity (pallet) 2800 pcs  
Material ABS

**APS3**  
Concealed washing machine trap,  
stainless steel DN40 and DN50



Quantity (packing) 40 pcs  
Quantity (pallet) 1120 pcs  
Material polypropylene

**P148**  
Double connector G1"/17-23



Quantity (packing) 70 pcs  
Quantity (pallet) 1960 pcs  
Material polypropylene

**P148Z**  
Double connector G1"/17-23 with valves



Quantity (packing) 70 pcs  
Quantity (pallet) 1960 pcs  
Material polypropylene

**P149Z**  
Double connector G1"/8-23 with valves



Quantity (packing) 70 pcs  
Quantity (pallet) 1960 pcs  
Material polypropylene

**APS3P**  
Concealed washing machine trap with  
air-admittance valve, stainless steel DN40  
and DN50



Quantity (packing) 25 pcs  
Quantity (pallet) 400 pcs  
Material polypropylene

**APS4**  
Concealed washing machine trap, white  
DN40 and DN50



Quantity (packing) 40 pcs  
Quantity (pallet) 1120 pcs  
Material polypropylene

**APS5**  
External washing machine trap with air-  
admittance valve, white DN32



Quantity (packing) 75 pcs  
Quantity (pallet) 2100 pcs  
Material ABS

**P155Z**  
Double connector DN40/32 / 17-23 with  
valves



Quantity (packing) 50 pcs  
Quantity (pallet) 800 pcs  
Material polypropylene

**P156Z**  
Double connector DN40/32 / 8-23 with  
valves



Quantity (packing) 50 pcs  
Quantity (pallet) 800 pcs  
Material polypropylene

**P157Z**  
Double connector G1"/8-16 with valves,  
DN40



Quantity (packing) 50 pcs  
Quantity (pallet) 1400 pcs  
Material polypropylene

**APS6**  
Concealed washing machine trap for  
connecting two appliances, stainless steel  
DN40 and DN50



Quantity (packing) 18 pcs  
Quantity (pallet) 288 pcs  
Material polypropylene

**APS7-DN40**  
Washing machine pipe trap DN40 new



Quantity (packing) 15 pcs  
Quantity (pallet) 420 pcs  
Material polypropylene

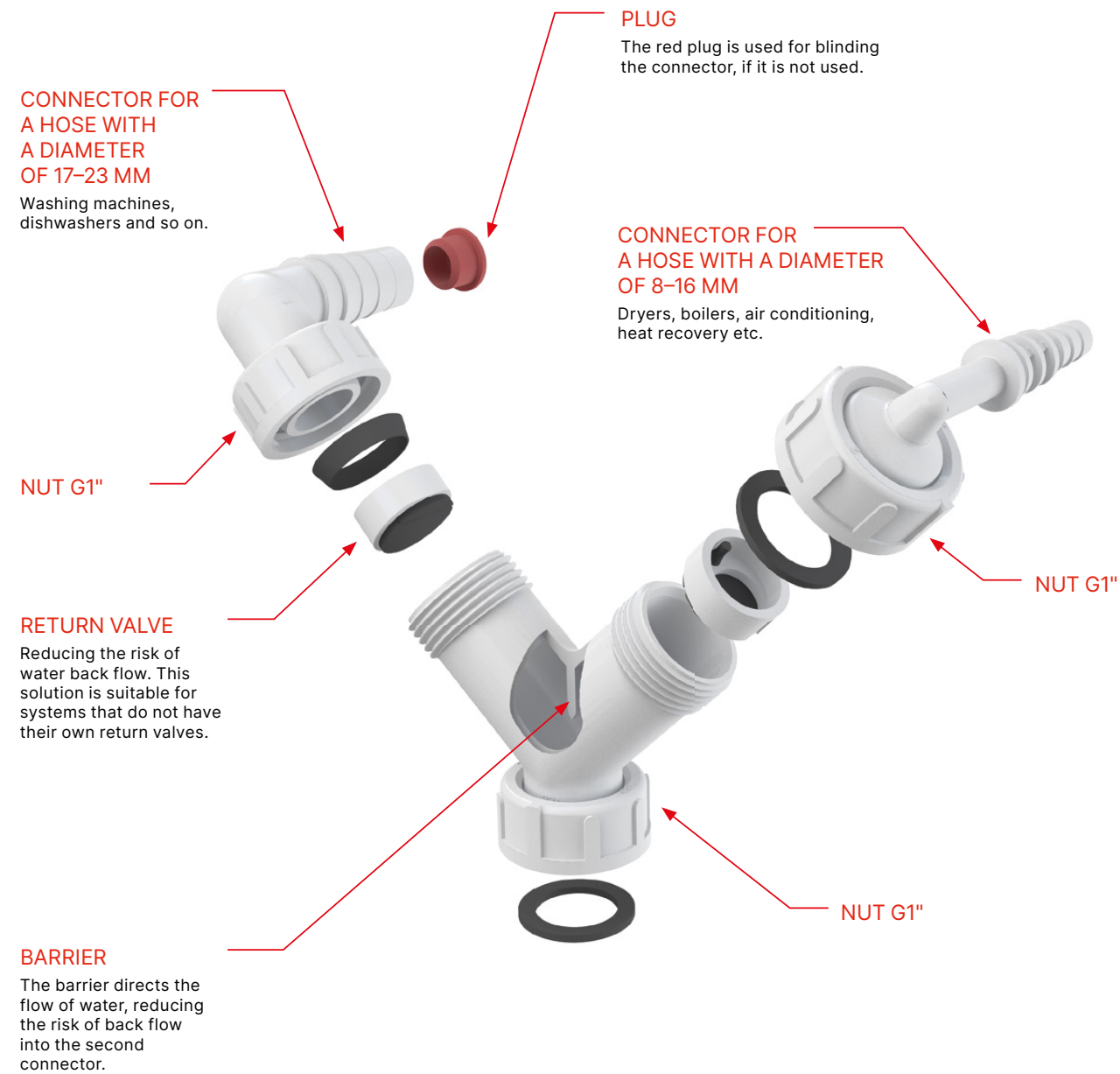
**APS7-DN50**  
Washing machine pipe trap DN50 new



## Double-connector for attaching home appliances to the trap

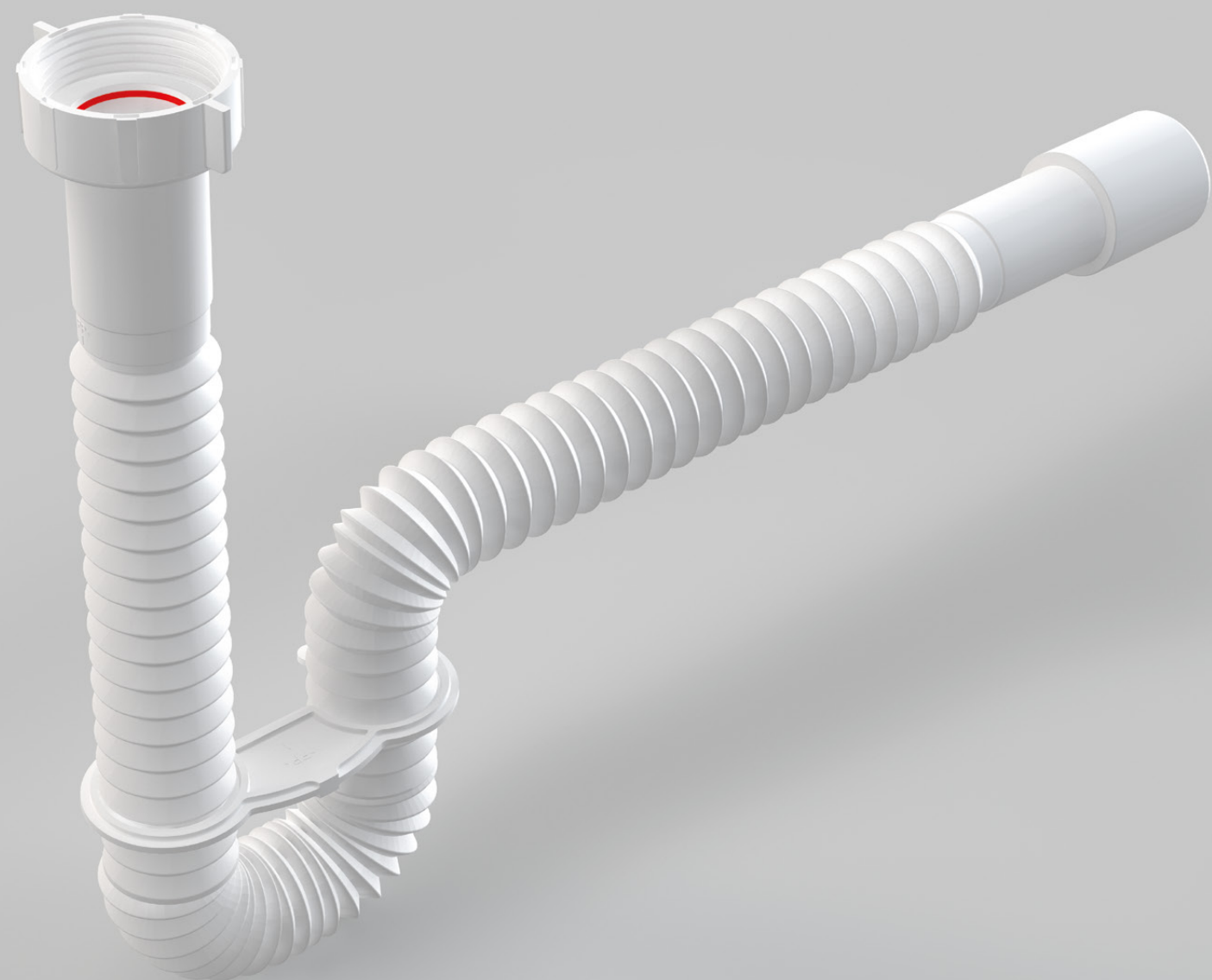
The elbows are designed for connecting hoses to the water supply and condensate for various types of traps. Thanks to the variable diameters of the connectors it is possible to connect it to almost all types of common household appliances such as washing machine, dishwasher, dryer, condensing boiler, air conditioning, heat recovery, etc.

Double elbows allow you to link two waste water sources simultaneously. It includes non-return valves to prevent backflow of water into the individual appliances. This solution is suitable for systems that do not have their own return valves. Partition regulating water flow directs water from the second elbow.



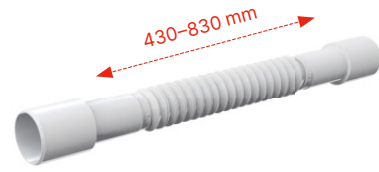
# Flexi pipes

Flexi pipes	200
Flexi pipes - accessories	201



VIDEO

**A794**  
Flexi pipe 40–32×32–40



Quantity (packing)	110 pcs
Quantity (pallet)	1760 pcs
Material	polypropylene

**A710**  
Flexi pipe 40×40



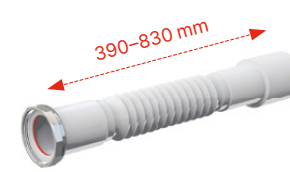
Quantity (packing)	130 pcs
Quantity (pallet)	2080 pcs
Material	polypropylene

**A720**  
Flexi pipe 50/40×40/50



Quantity (packing)	70 pcs
Quantity (pallet)	1120 pcs
Material	polypropylene

**A780**  
Flexi pipe 6/4"×40/50 metal



Quantity (packing)	90 pcs
Quantity (pallet)	1440 pcs
Material	polypropylene

**A791**  
Flexi pipe 6/4"×40 plastic



Quantity (packing)	110 pcs
Quantity (pallet)	1760 pcs
Material	polypropylene

**A792**  
Flexi pipe 6/4"×40 metal



Quantity (packing)	110 pcs
Quantity (pallet)	1760 pcs
Material	polypropylene

**A795**  
Flexi pipe 50/40×40



Quantity (packing)	120 pcs
Quantity (pallet)	1920 pcs
Material	polypropylene

**A730**  
Flexi pipe 5/4"×40 plastic



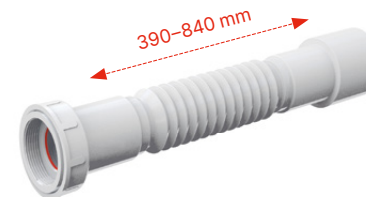
Quantity (packing)	120 pcs
Quantity (pallet)	1920 pcs
Material	polypropylene

**A740**  
Flexi pipe 5/4"×40 metal



Quantity (packing)	120 pcs
Quantity (pallet)	1920 pcs
Material	polypropylene

**A793**  
Flexi pipe 6/4" with reduction to 5/4"×50/40 plastic



Quantity (packing)	80 pcs
Quantity (pallet)	1280 pcs
Material	polypropylene

**A7990**  
Two-component seal 5/4" (10 pcs)



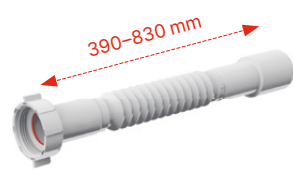
Quantity (packing)	10 pcs
Quantity (pallet)	–
Material	elastomer

**A7991**  
Two-component seal 6/4" (10 pcs)



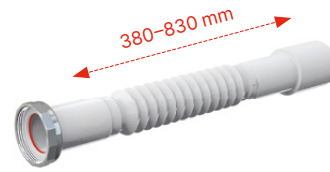
Quantity (packing)	10 pcs
Quantity (pallet)	–
Material	elastomer

**A750**  
Flexi pipe 5/4"×32/40 plastic



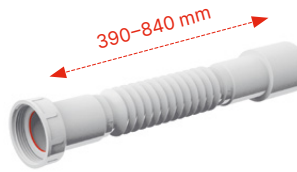
Quantity (packing)	120 pcs
Quantity (pallet)	1920 pcs
Material	polypropylene

**A760**  
Flexi pipe 5/4"×32/40 metal



Quantity (packing)	120 pcs
Quantity (pallet)	1920 pcs
Material	polypropylene

**A770**  
Flexi pipe 6/4"×40/50 plastic



Quantity (packing)	90 pcs
Quantity (pallet)	1440 pcs
Material	polypropylene

**A7992**  
Two-component seal 1" (10 pcs)



Quantity (packing)	10 pcs
Quantity (pallet)	–
Material	elastomer

**A7993**  
Flexi pipe holder (10 pcs)



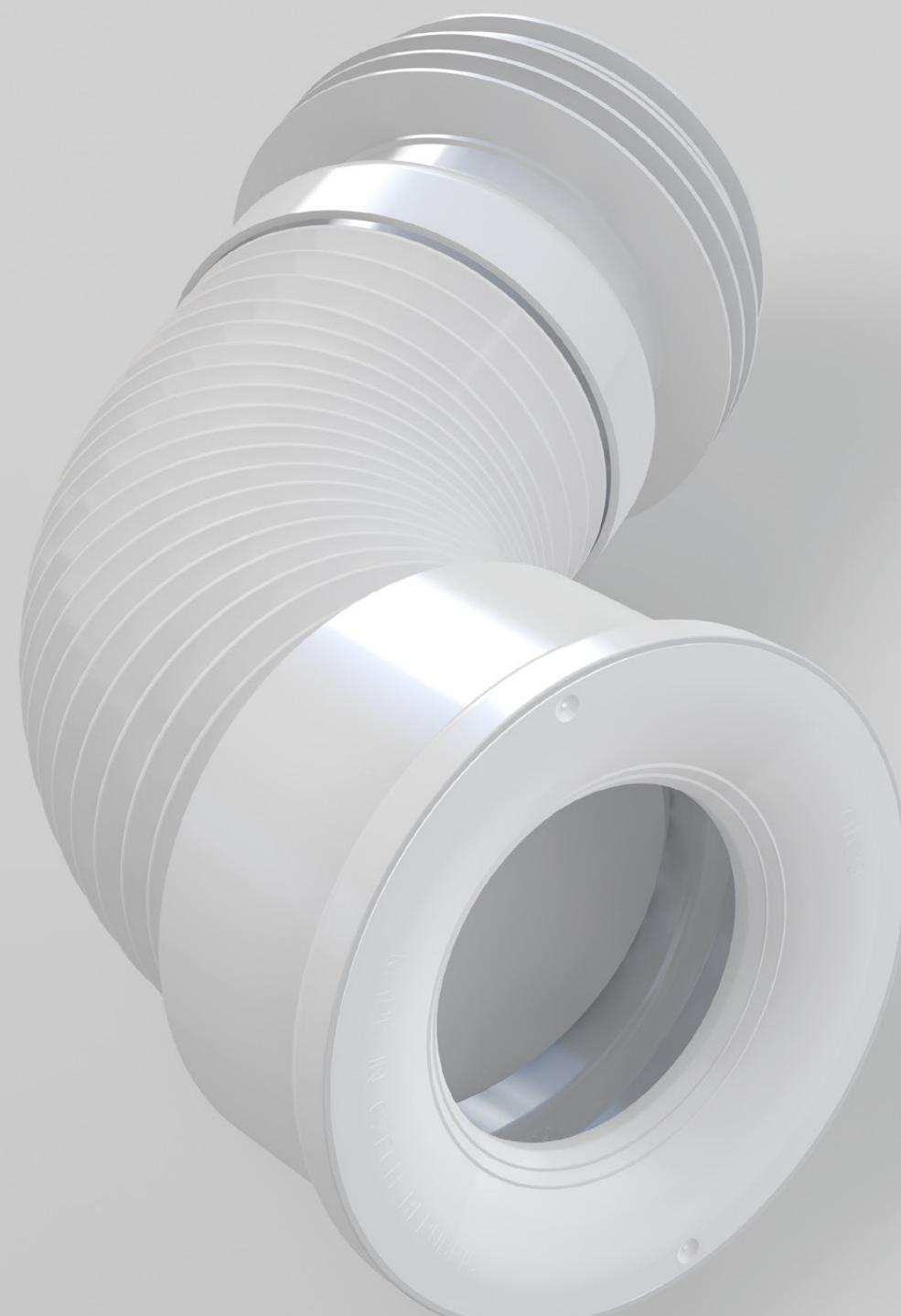
Quantity (packing)	10 pcs
Quantity (pallet)	–
Material	polypropylene





# WC accessories

WC flexi connectors	204
WC connectors	205
Air admittance heads	206
Bath access doors	207



VIDEO

**A97**  
WC flexi connector



Quantity (packing) 20 pcs  
Quantity (pallet) 320 pcs  
Material polypropylene

**A97L**  
WC flexi connector



Quantity (packing) 14 pcs  
Quantity (pallet) -  
Material polypropylene

**A97SN**  
WC flexi connector



Quantity (packing) 20 pcs  
Quantity (pallet) 320 pcs  
Material polypropylene

**A90-90P50A**  
WC connector - Elbow 90° with connecting pitches DN50

new from II Q



Quantity (packing) 12 pcs  
Quantity (pallet) 192 pcs  
Material polypropylene

**A91-150**  
WC connector - length 150 mm



Quantity (packing) 30 pcs  
Quantity (pallet) 480 pcs  
Material polypropylene

**A91-250**  
WC connector - length 250 mm



Quantity (packing) 20 pcs  
Quantity (pallet) 320 pcs  
Material polypropylene

**A970**  
WC flexi connector



Quantity (packing) 20 pcs  
Quantity (pallet) 320 pcs  
Material polypropylene

**M9006**  
Elbow waste connector DN90/110 flexi



Quantity (packing) 25 pcs  
Quantity (pallet) 400 pcs  
Material polypropylene

**A90-22**  
WC connector - Elbow 22°



Quantity (packing) 20 pcs  
Quantity (pallet) 320 pcs  
Material polypropylene

**A91-400**  
WC connector - length 400 mm



Quantity (packing) 14 pcs  
Quantity (pallet) 224 pcs  
Material polypropylene

**A92**  
WC connector - eccentric



Quantity (packing) 30 pcs  
Quantity (pallet) 480 pcs  
Material polypropylene

**A98**  
WC rosette DN110 small



Quantity (packing) 75 pcs  
Quantity (pallet) 1200 pcs  
Material polypropylene

**A90-45**  
WC connector - Elbow 45°



Quantity (packing) 20 pcs  
Quantity (pallet) 320 pcs  
Material polypropylene

**A90-90A**  
WC connector - Elbow 90°



Quantity (packing) 12 pcs  
Quantity (pallet) 192 pcs  
Material polypropylene

**A90-90P40A**  
WC connector - Elbow 90° with connecting pitches DN40



Quantity (packing) 12 pcs  
Quantity (pallet) 192 pcs  
Material polypropylene

**A980**  
WC rosette DN110 big



Quantity (packing) 30 pcs  
Quantity (pallet) 480 pcs  
Material polypropylene

**A991**  
WC connector straight



Quantity (packing) 35 pcs  
Quantity (pallet) 560 pcs  
Material polypropylene

**A991-20**  
WC connector - eccentric 20 mm



Quantity (packing) 35 pcs  
Quantity (pallet) 560 pcs  
Material polypropylene

**S1642-ND**  
WC connection cuff



Quantity (packing)	1 pcs
Quantity (pallet)	–
Material	TPE

**A991-40**  
WC connector – eccentric 40 mm



Quantity (packing)	35 pcs
Quantity (pallet)	560 pcs
Material	polypropylene

**A99**  
WC collar straight



Quantity (packing)	50 pcs
Quantity (pallet)	800 pcs
Material	PVC

**AVD001**  
Bath access door 150×150, white



Quantity (packing)	60 pcs
Quantity (pallet)	1680 pcs
Material	polypropylene

**AVD002**  
Bath access door 150×300, white



Quantity (packing)	30 pcs
Quantity (pallet)	360 pcs
Material	polypropylene

**AVD003**  
Bath access door 300×300, white



Quantity (packing)	16 pcs
Quantity (pallet)	96 pcs
Material	polypropylene

**A990**  
WC collar eccentric



Quantity (packing)	50 pcs
Quantity (pallet)	800 pcs
Material	PVC

**APH40**  
Air admittance valve DN40



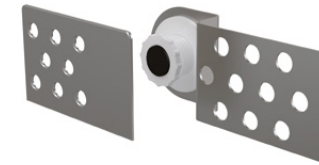
Quantity (packing)	75 pcs
Quantity (pallet)	2100 pcs
Material	polypropylene

**APH50**  
Air admittance valve DN50



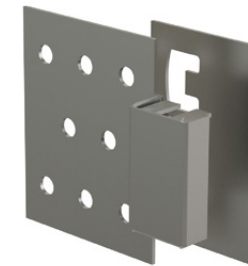
Quantity (packing)	50 pcs
Quantity (pallet)	1200 pcs
Material	polypropylene

**AVD004**  
Bath access door magnetic (under the tiles), adjustable height



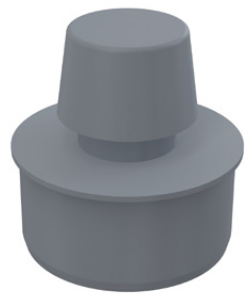
Quantity (packing)	100 pcs
Quantity (pallet)	–
Material	metal

**AVD005**  
Bath access door magnetic (under the tiles), basic



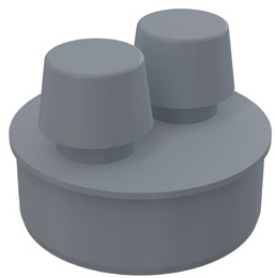
Quantity (packing)	100 pcs
Quantity (pallet)	–
Material	metal

**APH75**  
Air admittance valve DN75



Quantity (packing)	50 pcs
Quantity (pallet)	800 pcs
Material	polypropylene

**APH110**  
Air admittance valve DN110



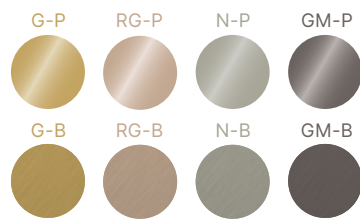
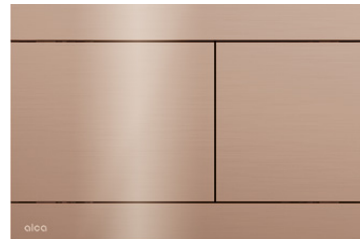
Quantity (packing)	50 pcs
Quantity (pallet)	800 pcs
Material	polypropylene



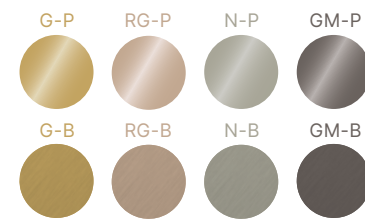
# Product lines

## PROGRAM INDIVIDUAL

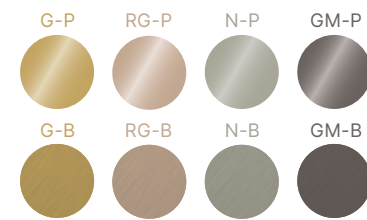
**FUN-RG-P**  
Flush plate for pre-wall installation systems, RED GOLD-polished



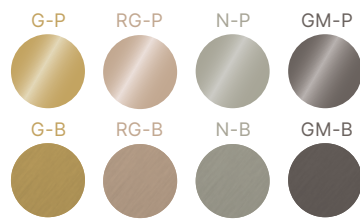
**A400-RG-P**  
Wash-basin trap DESIGN DN32, RED GOLD-polished



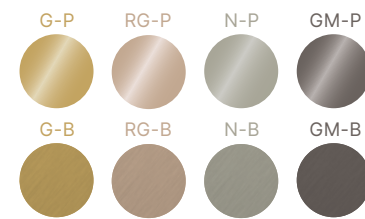
**A392-RG-P**  
Wash-basin CLICK/CLACK waste 5/4" metal with overflow, big plug, RED GOLD-polished



**A55K-RG-P**  
Bath pop-up waste and trap, RED GOLD-polished



**ARV001-RG-P**  
Angle valve with a filter 1/2"x3/8", RED GOLD-polished



### CODES FOR COLOUR VARIANTS

<b>G-P</b>	Gold-polished
<b>G-B</b>	Gold-brushed matt
<b>RG-P</b>	Red gold-polished
<b>RG-B</b>	Red gold-brushed matt
<b>N-P</b>	Nickel-polished
<b>N-B</b>	Nickel-brushed matt
<b>GM-P</b>	Gun metal-polished
<b>GM-B</b>	Gun metal-brushed matt



# INDIVIDUAL.

## YOURS IN EVERY DETAIL

### Perfect match

It is possible that we can match your personal taste with charming pink tones. Or you might prefer a dazzling gold colour? Maybe your natural match is the gun metal. No matter what you decide, you can always rely on certain things. The perfect colour fastness and the resistance to abrasion. And so even your bathroom can be brought to perfection in every last detail.



# PROGRAM BLACK-MATT

**APZ1BLACK**  
Shower drain with an edge for perforated grids, black-matt



**APZ101BLACK Low**  
Shower drain with an edge for perforated grids, black-matt



**PURE BLACK**  
Grid for shower drain, black-matt



**APZ10BLACK Simple**  
Shower drain with an edge for perforated grids, black-matt



**APZ19BLACK Simple**  
Shower drain with an edge for two-sided grid, black-matt (550, 650, 750, 850, 950 mm)



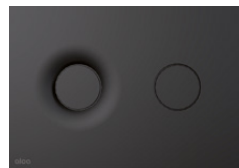
**M1878**  
Flush plate for pre-wall installation systems, black-matt



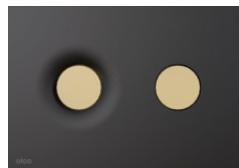
**M1878-7**  
Flush plate for pre-wall installation systems, black-matt/gold-matt



**M1978**  
Flush plate for pre-wall installation systems, black-matt



**M1978-7**  
Flush plate for pre-wall installation systems, black-matt/gold-matt



**M578**  
Flush plate for pre-wall installation systems, black-matt



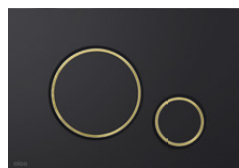
**M678**  
Flush plate for pre-wall installation systems, black-matt



**M778**  
Flush plate for pre-wall installation systems, black-matt/chrome-polished



**M778-5**  
Flush plate for pre-wall installation systems, black-matt/gold-polished



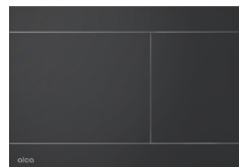
**MOON-BLACK**  
Flush plate for pre-wall installation systems, inox-black matt



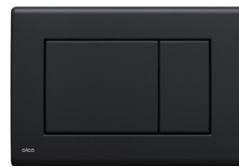
**TURN-BLACK**  
Flush plate for pre-wall installation systems, inox-black matt



**FUN-BLACK**  
Flush plate for pre-wall installation systems, inox-black matt



**M278**  
Flush plate for pre-wall installation systems, black-matt



**A400BLACK**  
Wash-basin trap DESIGN DN32, black-matt



**A4320BLACK**  
Wash-basin trap "U" DN32, with coupling nut 5/4", black-matt



**A4000BLACK**  
Extension piece DN32, black-matt



**A55BLACK**  
Bath pop-up waste and trap, black-matt



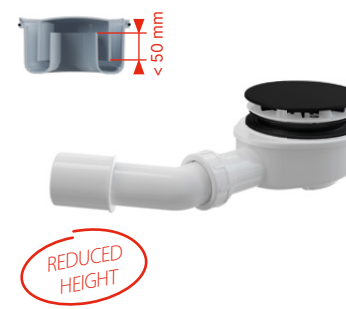
**A507BLACK**  
Bath CLICK/CLACK waste and trap, black-matt



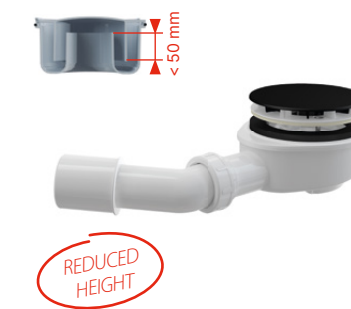
**A564BLACK**  
Bath pop-up waste and trap, with overflow filler, black-matt



**A491BLACK**  
Shower waste set, black-matt new



**A492BLACK**  
Shower waste set for thick trays, black-matt new



**A465BLACK-50**  
Shower waste and trap CLICK/CLACK, black-matt



**A49BLACK**  
Shower waste and trap, black-matt



**A392BLACK**  
Wash-basin CLICK/CLACK waste 5/4", metal with overflow, big plug black-matt



**A396BLACK**  
Wash-basin waste 5/4", metal, big non-closing plug, for wash-basins without overflow, black-matt



**APV31BLACK**  
Floor drain 105x105/50 mm side outlet, stainless steel grid black-matt, combined odour trap SMART



**APV32BLACK**  
Floor drain 105x105/50 mm straight outlet, stainless steel grid black-matt, combined odour trap SMART



**MPV004-BLACK**  
Grid 102x102 mm stainless steel, black-matt



**ARV001-BLACK**  
Angle valve with a filter 1/2"x3/8", black-matt



**ARV003-BLACK**  
Angle valve with a filter 1/2"x1/2", black-matt



**A51B**  
Bath pop-up waste and trap, chrome/white-polished



**A51BM**  
Bath pop-up waste and trap, white



**A564B**  
Bath pop-up waste and trap, with overflow filler, white-polished



new

**GL1200**  
GLASS – Grid for shower drain, glass-white



**A400B**  
Wash-basin trap DN32 DESIGN metal, round, white



**A4000B**  
Extension piece DN32, white



**ARV001B**  
Angle valve with a filter 1/2"x3/8", round, white



**ARV003B**  
Angle valve with a filter 1/2"x1/2", round, white

## PROGRAM WHITE-POLISHED

**M570**  
Flush plate for pre-wall installation systems, white-polished



**M670**  
Flush plate for pre-wall installation systems, white-polished



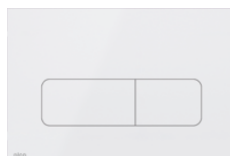
**M770**  
Flush plate for pre-wall installation systems, white-polished/chrome-polished



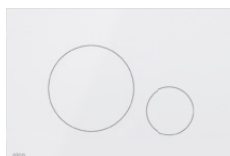
**M775**  
Flush plate for pre-wall installation systems, white-polished/gold-polished



**MOON-WHITE**  
Flush plate for pre-wall installation systems, inox-white polished



**TURN-WHITE**  
Flush plate for pre-wall installation systems, inox-white polished



**RAY**  
Flush plate for pre-wall installation systems, alunox-matt



**FUN-WHITE**  
Flush plate for pre-wall installation systems, inox-white polished



**M70**  
Flush plate for pre-wall installation systems, white-polished



**M270**  
Flush plate for pre-wall installation systems, white-polished



**A392B**  
Wash-basin CLICK/CLACK waste 5/4" metal with overflow, big white plug



**A395B**  
Wash-basin CLICK/CLACK waste 5/4", metal without overflow, big white plug, for plastic and glass wash-basins



**A396B**  
Wash-basin waste 5/4", metal, big non-closing plug, for wash-basins without overflow, white-polished



**A47B-50**  
Shower waste and trap, white-polished



**A47B-60**  
Shower waste and trap, white-polished



**A49B**  
Shower waste and trap, white-polished



**A49K-B**  
Shower waste and trap, white-polished



**A465B-50**  
Shower waste and trap CLICK/CLACK, small plug, white-polished



new



## PROGRAM BRASS

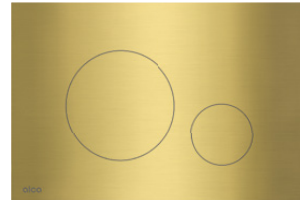
### MOON-BRASS

Flush plate for pre-wall installation systems, brass



### TURN-BRASS

Flush plate for pre-wall installation systems, brass



### FUN-BRASS

Flush plate for pre-wall installation systems, brass



### M57-BR-M

Flush plate for pre-wall installation systems, BRASS-matt

new



### APZ10BLACK-BRASS

Simple Shower drain with an edge for perforated grids, brass



## Product news 2025

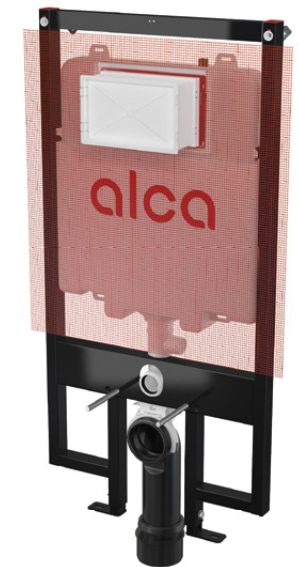
**AM112P Basicmodul Slim**  
Wall concealed WC cistern



**AM115P/1000 Renovmodul Slim**  
Pre-wall installation system for building into solid walls



**AM110P/1200 Sádromodul Slim**  
Pre-wall installation system for dry build up (plasterboard)



**M900K-DN90**  
WC accessories set DN90, 200 mm

from II. Q



**M900K-DN110**  
WC accessories set DN110, 200 mm

from II. Q



**M9000K-DN90**  
WC accessories set DN90, 300 mm

from III. Q



**M900KE-DN90**  
WC accessories set DN90/110, 25 mm

from II. Q



**M900KE-DN110**  
WC accessories set DN110/110, 25 mm

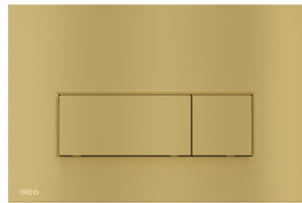
from II. Q



**M9001**  
Extended connector to be used with WC for people with reduced mobility, 300 mm



**M57-BR-M**  
Flush plate for pre-wall installation systems, BRASS-matt



**A940-H-1/2"**  
Toilet cistern UNI START-STOP universal, white

from III. Q

**A940-H-3/8"**  
Toilet cistern UNI START-STOP universal, white

from III. Q



start stop

**A930-H-1/2"**  
Toilet cistern UNI DUAL universal, white

from III. Q

**A930-H-3/8"**  
Toilet cistern UNI DUAL universal, white

from III. Q



dual 3 l/6 l

**A930-M-1/2"**  
Low level toilet cistern DUAL, white

from III. Q

**A930-M-3/8"**  
Low level toilet cistern DUAL, white

from III. Q



dual 3 l/6 l

**A951-230**  
Flush pipe – elbow DN44/50

from II. Q



**OPTION**  
Two-sided grid



**A55KM-WHITE**  
Bath pop-up waste and trap, white-matt



**A465B-50**  
Shower waste and trap CLICK/CLACK, small plug, white-polished



**A507CK**  
Bath CLICK/CLACK waste and trap, small plug, metal



**A564B**  
Bath pop-up waste and trap, with overflow filler, white-polished



**A80-DN50/40**  
Pipe trap with coupling nut 6/4" and flexi pipe



**S1642-ND**  
WC connection cuff

from II. Q



**A491BLACK**  
Shower waste set, black-matt



REDUCED HEIGHT

**A396SN**  
Wash-basin waste 5/4", metal, big non-closing plug, for wash-basins without overflow



**A492BLACK**  
Shower waste set for thick trays, black-matt



REDUCED HEIGHT

**A90-90P50A**  
WC connector – Elbow 90° with connecting pitches DN50

from II. Q



**AKS8-DN40**  
Pipe trap with funnel for dripping condensate DN40

from II. Q

**AKS8-DN50**  
Pipe trap with funnel for dripping condensate DN50

from II. Q



**APS7-DN40**  
Washing machine pipe trap DN40

**APS7-DN50**  
Washing machine pipe trap DN50





**PM01006UNI-BLACK**  
Plexi stand for bath trap – A564BLACK



**PM01006EN**  
Plexi large stand for bath-tub waste and traps



**PM01007UNI-BLACK**  
Plexi stand for metal program



**PM01003EN**  
Plexi large stand for reduced shower wastes and traps



**PM01005UNI**  
Plexi stand for fill and flush valves



**PM04021UNI**  
Presentation board with flush plates



**PM02027EN**  
Stand for APZ115 Marble Low



**PM02022UNI-BOX**  
Wooden stand for pre-wall installation system and flush plates



**PM02024UNI-BOX**  
Stand for flush plates  
Flat, white



**PM02023EN**  
Stand for APZ13 Fit and Go



**PM02021UNI**  
Stand for stainless steel linear shower drains



**PM02004EN**  
Large stand for plastic linear shower drains



**PM03004UNI**  
Stand for WC seats



**PM03008UNI**  
Stand for outdoor drains



**PM03001UNI**  
Large wire stand including hooks, legs





Table of size variants for bath wastes and traps

L=570 • Hmax=370	L=800 • Hmax=600	L=1000 • Hmax=800	L=1200 • Hmax=1000
A501	-	-	-
A502	-	-	-
A51B	A51B-80	A51B-100	A51B-120
A51BM	A51BM-80	A51BM-100	A51BM-120
A51CR	A51CR-80	A51CR-100	A51CR-120
A51CRM	A51CRM-80	A51CRM-100	A51CRM-120
A55K	A55K-80	A55K-100	A55K-120
A55BLACK	A55BLACK-80	A55BLACK-100	A55BLACK-120
A55K-G-P	A55K-G-P-80	A55K-G-P-100	A55K-G-P-120
A55K-G-B	A55K-G-B-80	A55K-G-B-100	A55K-G-B-120
A55K-RG-P	A55K-RG-P-80	A55K-RG-P-100	A55K-RG-P-120
A55K-RG-B	A55K-RG-B-80	A55K-RG-B-100	A55K-RG-B-120
A55K-N-P	A55K-N-P-80	A55K-N-P-100	A55K-N-P-120
A55K-N-B	A55K-N-B-80	A55K-N-B-100	A55K-N-B-120
A55K-GM-P	A55K-GM-P-80	A55K-GM-P-100	A55K-GM-P-120
A55K-GM-B	A55K-GM-B-80	A55K-GM-B-100	A55K-GM-B-120
A55KM	A55KM-80	A55KM-100	A55KM-120
A55KM-WHITE	A55KM-WHITE-80	-	-
A504CKM	A504CKM-80	A504CKM-100	A504CKM-120
A507CKM	A507CKM-80	A507CKM-100	A507CKM-120
A516CKM	A516CKM-80	A516CKM-100	A516CKM-120
A507BLACK	A507BLACK-80	A507BLACK-100	A507BLACK-120
A505CRM	A505CRM-80	A505CRM-100	A505CRM-120
A505CKM	A505CKM-80	A505CKM-100	A505CKM-120

These products can be found on pages 162-166

Table of size variants for bath wastes and traps with an overflow filler mechanism

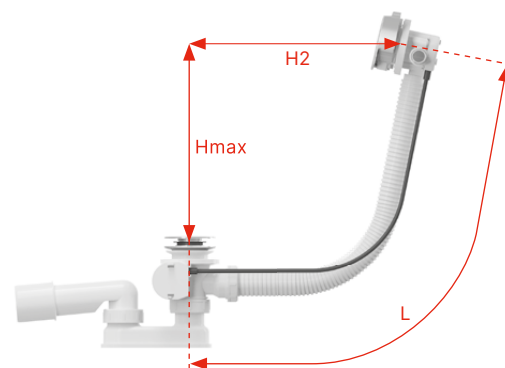
L=570 • Hmax=370	L=800 • Hmax=600	L=1000 • Hmax=800	L=1200 • Hmax=1000
A508CKM	A508CKM-80	A508CKM-100	A508CKM-120
A509CKM	A509CKM-80	A509CKM-100	A509CKM-120
A564B	A564B-80	-	-
A564BLACK	A564BLACK-80	A564BLACK-100	A564BLACK-120
A564CRM1	A564CRM1-80	A564CRM1-100	A564CRM1-120
A564CRM2	A564CRM2-80	A564CRM2-100	A564CRM2-120
A564CRM3	A564CRM3-80	A564CRM3-100	A564CRM3-120
A564KM1	A564KM1-80	A564KM1-100	A564KM1-120
A564KM3	A564KM3-80	A564KM3-100	A564KM3-120
A565CRM1	A565CRM1-80	A565CRM1-100	A565CRM1-120
A565CRM2	A565CRM2-80	A565CRM2-100	A565CRM2-120
A565CRM3	A565CRM3-80	A565CRM3-100	A565CRM3-120
A565KM1	A565KM1-80	A565KM1-100	A565KM1-120
A565KM3	A565KM3-80	A565KM3-100	A565KM3-120
A566-112122-57	A566-112122-80	A566-112122-100	A566-112122-120
A566-273133-57	A566-273133-80	A566-273133-100	A566-273133-120

These products can be found on pages 166-168

**Determining the length of Alca bath wastes**

Determining the necessary length of the bath waste for different bathtub models is very easy. The waste hole in the bottom of the tub and an the overflow opening in the wall of the tub are combined perpendiculars (Hmax and H2). By adding the perpendicular lines, then we get the desired waste length (L).

**Hmax + H2 = L**



Maximum bathtub wall thickness for each type of bath waste and trap

Bath wastes and traps	Bathtub wall thickness around the waste (mm)	Bathtub wall thickness around the overflow (mm)	Bath wastes and traps	Bathtub wall thickness around the waste (mm)	Bathtub wall thickness around the overflow (mm)
A501	13	10	A564CRM2	2-10	10
A502	13	10	A564CRM3	2-10	10
A51B	2-10	10	A564KM1	2-10	10
A51BM	2-10	10	A564BLACK	2-10	10
A51CR	2-10	10	A564KM3	2-10	10
A51CRM	2-10	10	A565CRM1	10-18	12-26
A55K	2-10	10	A565CRM2	10-18	12-26
A55BLACK	2-10	10	A565CRM3	10-18	12-26
A55KM	2-10	10	A565KM1	10-18	12-26
A504CKM	12	4-16	A565KM3	10-18	12-26
A507CKM	12	4-16	A566-112122-57	2-10	10
A516CKM	8	4-16	A566-112122-80	2-10	10
A507BLACK	12	4-16	A566-112122-100	2-10	10
A505CRM	12	4-16	A566-273133-57	2-10	10
A505CKM	12	4-16	A566-112122-120	2-10	10
A508CKM	2-10	4-16	A566-273133-80	2-10	10
A509CKM	10-18	4-16	A566-273133-100	2-10	10
A564CRM1	2-10	10	A566-273133-120	2-10	10

Table of variants for shower drains and grids

Width of the shower corner (mm)								
-	600	700	800	900	1000	1100	1200	1500
<b>Linear shower drains: APZ1, APZ1BLACK, APZ101, APZ101BLACK, APZ1001, APZ1101, APZ4, APZ104, APZ1004, APZ1104, APZ2001, APZ12, APZ2012</b>								
APZ1-300	APZ1-550	APZ1-650	APZ1-750	APZ1-850	APZ1-950	APZ1-1050	APZ1-1150	APZ1-1450
APZ1BLACK-300	APZ1BLACK-550	APZ1BLACK-650	APZ1BLACK-750	APZ1BLACK-850	APZ1BLACK-950	APZ1BLACK-1050	APZ1BLACK-1150	APZ1BLACK-1450
APZ101-300	APZ101-550	APZ101-650	APZ101-750	APZ101-850	APZ101-950	APZ101-1050	APZ101-1150	APZ101-1450
APZ101BLACK-300	APZ101BLACK-550	APZ101BLACK-650	APZ101BLACK-750	APZ101BLACK-850	APZ101BLACK-950	APZ101BLACK-1050	APZ101BLACK-1150	APZ101BLACK-1450
-	APZ4-550	APZ4-650	APZ4-750	APZ4-850	APZ4-950	APZ4-1050	APZ4-1150	-
-	APZ104-550	APZ104-650	APZ104-750	APZ104-850	APZ104-950	APZ104-1050	APZ104-1150	-
APZ1001-300	APZ1001-550	APZ1001-650	APZ1001-750	APZ1001-850	APZ1001-950	APZ1001-1050	APZ1001-1150	-
APZ1101-300	APZ1101-550	APZ1101-650	APZ1101-750	APZ1101-850	APZ1101-950	APZ1101-1050	APZ1101-1150	-
-	APZ1004-550	APZ1004-650	APZ1004-750	APZ1004-850	APZ1004-950	APZ1004-1050	APZ1004-1150	-
-	APZ1104-550	APZ1104-650	APZ1104-750	APZ1104-850	APZ1104-950	APZ1104-1050	APZ1104-1150	-
APZ2001-300	APZ2001-550	APZ2001-650	APZ2001-750	APZ2001-850	APZ2001-950	APZ2001-1050	APZ2001-1150	-
-	-	APZ12-650	APZ12-750	APZ12-850	APZ12-950	APZ12-1050	-	-
-	APZ2012-550	APZ2012-650	APZ2012-750	APZ2012-850	-	-	-	-
<b>Grids for: APZ1, APZ1BLACK, APZ101, APZ101BLACK, APZ1001, APZ1101, APZ4, APZ104, APZ1004, APZ1104, APZ2001, APZ12, APZ2012</b>								
LINE-300M	LINE-550M	LINE-650M	LINE-750M	LINE-850M	LINE-950M	LINE-1050M	LINE-1150M	LINE-1450M
PURE-300M	PURE-550M	PURE-650M	PURE-750M	PURE-850M	PURE-950M	PURE-1050M	PURE-1150M	PURE-1450M
PURE-300BLACK	PURE-550BLACK	PURE-650BLACK	PURE-750BLACK	PURE-850BLACK	PURE-950BLACK	PURE-1050BLACK	PURE-1150BLACK	PURE-1450BLACK
CUBE-300M	CUBE-550M	CUBE-650M	CUBE-750M	CUBE-850M	CUBE-950M	CUBE-1050M	CUBE-1150M	-
HOPE-300M	HOPE-550M	HOPE-650M	HOPE-750M	HOPE-850M	HOPE-950M	HOPE-1050M	HOPE-1150M	-
BUBLE-300M	BUBLE-550M	BUBLE-650M	BUBLE-750M	BUBLE-850M	BUBLE-950M	BUBLE-1050M	BUBLE-1150M	BUBLE-1450M
DREAM-300M	DREAM-550M	DREAM-650M	DREAM-750M	DREAM-850M	DREAM-950M	DREAM-1050M	DREAM-1150M	-
<b>Grids for: APZ12, APZ2012</b>								
-	-	-	TILE-750	TILE-850	TILE-950	TILE-1050	-	-
-	-	-	SOLID-750M	SOLID-850M	SOLID-950M	SOLID-1050M	-	-
<b>Linear shower drains: APZ6, APZ106, APZ1006, APZ1106, APZ16, APZ116, APZ1016, APZ1116</b>								
APZ6-300	APZ6-550	APZ6-650	APZ6-750	APZ6-850	APZ6-950	APZ6-1050	APZ6-1150	-
APZ106-300	APZ106-550	APZ106-650	APZ106-750	APZ106-850	APZ106-950	APZ106-1050	APZ106-1150	-
APZ1006-300	APZ1006-550	APZ1006-650	APZ1006-750	APZ1006-850	APZ1006-950	APZ1006-1050	APZ1006-1150	-
APZ1106-300	APZ1106-550	APZ1106-650	APZ1106-750	APZ1106-850	APZ1106-950	APZ1106-1050	APZ1106-1150	-
APZ16-300	APZ16-550	APZ16-650	APZ16-750	APZ16-850	APZ16-950	APZ16-1050	APZ16-1150	-
APZ116-300	APZ116-550	APZ116-650	APZ116-750	APZ116-850	APZ116-950	APZ116-1050	APZ116-1150	-
APZ1016-300	APZ1016-550	APZ1016-650	APZ1016-750	APZ1016-850	APZ1016-950	APZ1016-1050	APZ1016-1150	-
APZ1116-300	APZ1116-550	APZ1116-650	APZ1116-750	APZ1116-850	APZ1116-950	APZ1116-1050	APZ1116-1150	-

Grids for: APZ6, APZ106, APZ1006, APZ1106, APZ16, APZ116, APZ1016, APZ1116

DESIGN-300MN	DESIGN-550MN	DESIGN-650MN	DESIGN-750MN	DESIGN-850MN	DESIGN-950MN	DESIGN-1050MN	DESIGN-1150MN	-
POSH-300MN	POSH-550MN	POSH-650MN	POSH-750MN	POSH-850MN	POSH-950MN	POSH-1050MN	POSH-1150MN	-
GL1200-300	GL1200-550	GL1200-650	GL1200-750	GL1200-850	GL1200-950	GL1200-1050	GL1200-1150	-
GL1202-300	GL1202-550	GL1202-650	GL1202-750	GL1202-850	GL1202-950	GL1202-1050	GL1202-1150	-
GL1204-300	GL1204-550	GL1204-650	GL1204-750	GL1204-850	GL1204-950	GL1204-1050	GL1204-1150	-
FLOOR-300	FLOOR-550	FLOOR-650	FLOOR-750	FLOOR-850	FLOOR-950	FLOOR-1050	FLOOR-1150	-

Linear shower drains: APZ15, APZ115 (grid is included)

APZ15-300	APZ15-550	APZ15-650	APZ15-750	APZ15-850	APZ15-950	APZ15-1050	APZ15-1150	-
APZ115-300	APZ115-550	APZ115-650	APZ115-750	APZ115-850	APZ115-950	APZ115-1050	APZ115-1150	-

Linear shower drains: APZ13-DOUBLE9 Fit and Go, APZ23-DOUBLE9 Fit and Go Wall (grid is included)

-	APZ13-DOUBLE9-550	APZ13-DOUBLE9-650	APZ13-DOUBLE9-750	APZ13-DOUBLE9-850	APZ13-DOUBLE9-950	-	-	-
-	-	-	APZ23-DOUBLE9-750	APZ23-DOUBLE9-850	APZ23-DOUBLE9-950	-	-	-

Linear shower drains: APZ13 Modular, APZ23 Modular Wall

-	-	-	APZ13-750	APZ13-850	APZ13-950	-	-	-
-	-	-	APZ23-750	APZ23-850	APZ23-950	-	-	-

Grids for: APZ13 Modular, APZ23 Modular Wall

-	DOUBLE-550M	DOUBLE-650M	DOUBLE-750M	DOUBLE-850M	DOUBLE-950M	-	-	-
-	-	-	CODE-750L	CODE-850L	CODE-950L	-	-	-
-	-	-	CODE-750M	CODE-850M	CODE-950M	-	-	-
-	-	-	ZIP-750L	ZIP-850L	ZIP-950L	-	-	-
-	-	-	ZIP-750M	ZIP-850M	ZIP-950M	-	-	-
-	-	-	SPACE-750M	SPACE-850M	SPACE-950M	-	-	-
-	-	-	STREAM-750M	STREAM-850M	STREAM-950M	-	-	-

Waste system: APZ5 (the cover is included in the waste system)

-	-	APZ5-EDEN-650	APZ5-EDEN-750	APZ5-EDEN-850	APZ5-EDEN-950	APZ5-EDEN-1050	-	-
-	-	APZ5-SHADE-650	APZ5-SHADE-750	APZ5-SHADE-850	APZ5-SHADE-950	APZ5-SHADE-1050	-	-
-	-	APZ5-TWIN-650	APZ5-TWIN-750	APZ5-TWIN-850	APZ5-TWIN-950	APZ5-TWIN-1050	-	-

Linear shower drains: APZ11, APZ111 (grid is included)

APZ11-300M	APZ11-550M	APZ11-650M	APZ11-750M	APZ11-850M	APZ11-950M	APZ11-1050M	APZ11-1150M	-
APZ111-300M	APZ111-550M	APZ111-650M	APZ111-750M	APZ111-850M	APZ111-950M	APZ111-1050M	APZ111-1150M	-

Plastic linear shower drains: APZ9, APZ10, APZ10BLACK, APZ10BLACK-BRASS, APZ19, APZ19BLACK, APZ20, APZ30 Wall (grid is included)

-	APZ9-550M	APZ9-650M	APZ9-750M	APZ9-850M	APZ9-950M	-	-	-
-	APZ10-550M	APZ10-650M	APZ10-750M	APZ10-850M	APZ10-950M	-	-	-
-	APZ10BLACK-550M	APZ10BLACK-650M	APZ10BLACK-750M	APZ10BLACK-850M	APZ10BLACK-950M	-	-	-
-	APZ10BLACK-550BRASS	APZ10BLACK-650BRASS	APZ10BLACK-750BRASS	APZ10BLACK-850BRASS	APZ10BLACK-950BRASS	-	-	-
-	APZ19-550	APZ19-650	APZ19-750	APZ19-850	APZ19-950	-	-	-
-	APZ19BLACK-550	APZ19BLACK-650	APZ19BLACK-750	APZ19BLACK-850	APZ19BLACK-950	-	-	-
-	APZ20-550	APZ20-650	APZ20-750	APZ20-850	APZ20-950	-	-	-
-	-	APZ30-650M	APZ30-750M	APZ30-850M	-	-	-	-

ARZ1 – grids TIME, LIFE, GRACE

These products can be found on pages 80–102

Waste systems: APZ5 with lighting (cover and lighting are included in the waste system package)

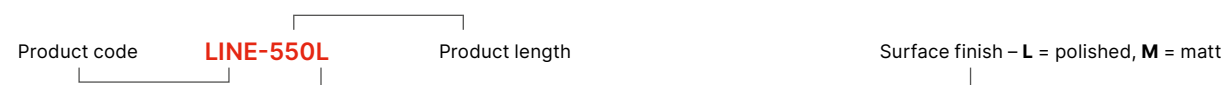
APZ5-EDEN+AEZ120-650	White	APZ5-SHADE+AEZ120-650	White	APZ5-TWIN+AEZ120-650	White
APZ5-EDEN+AEZ120-750	White	APZ5-SHADE+AEZ120-750	White	APZ5-TWIN+AEZ120-750	White
APZ5-EDEN+AEZ120-850	White	APZ5-SHADE+AEZ120-850	White	APZ5-TWIN+AEZ120-850	White
APZ5-EDEN+AEZ120-950	White	APZ5-SHADE+AEZ120-950	White	APZ5-TWIN+AEZ120-950	White
APZ5-EDEN+AEZ120-1050	White	APZ5-SHADE+AEZ120-1050	White	APZ5-TWIN+AEZ120-1050	White
APZ5-EDEN+AEZ121-650	Blue	APZ5-SHADE+AEZ121-650	Blue	APZ5-TWIN+AEZ121-650	Blue
APZ5-EDEN+AEZ121-750	Blue	APZ5-SHADE+AEZ121-750	Blue	APZ5-TWIN+AEZ121-750	Blue
APZ5-EDEN+AEZ121-850	Blue	APZ5-SHADE+AEZ121-850	Blue	APZ5-TWIN+AEZ121-850	Blue
APZ5-EDEN+AEZ121-950	Blue	APZ5-SHADE+AEZ121-950	Blue	APZ5-TWIN+AEZ121-950	Blue
APZ5-EDEN+AEZ121-1050	Blue	APZ5-SHADE+AEZ121-1050	Blue	APZ5-TWIN+AEZ121-1050	Blue
APZ5-EDEN+AEZ122-650	Green	APZ5-SHADE+AEZ122-650	Green	APZ5-TWIN+AEZ122-650	Green
APZ5-EDEN+AEZ122-750	Green	APZ5-SHADE+AEZ122-750	Green	APZ5-TWIN+AEZ122-750	Green
APZ5-EDEN+AEZ122-850	Green	APZ5-SHADE+AEZ122-850	Green	APZ5-TWIN+AEZ122-850	Green
APZ5-EDEN+AEZ122-950	Green	APZ5-SHADE+AEZ122-950	Green	APZ5-TWIN+AEZ122-950	Green
APZ5-EDEN+AEZ122-1050	Green	APZ5-SHADE+AEZ122-1050	Green	APZ5-TWIN+AEZ122-1050	Green
APZ5-EDEN+AEZ123-650	Red	APZ5-SHADE+AEZ123-650	Red	APZ5-TWIN+AEZ123-650	Red
APZ5-EDEN+AEZ123-750	Red	APZ5-SHADE+AEZ123-750	Red	APZ5-TWIN+AEZ123-750	Red
APZ5-EDEN+AEZ123-850	Red	APZ5-SHADE+AEZ123-850	Red	APZ5-TWIN+AEZ123-850	Red
APZ5-EDEN+AEZ123-950	Red	APZ5-SHADE+AEZ123-950	Red	APZ5-TWIN+AEZ123-950	Red
APZ5-EDEN+AEZ123-1050	Red	APZ5-SHADE+AEZ123-1050	Red	APZ5-TWIN+AEZ123-1050	Red
APZ5-EDEN+AEZ124-650	Rainbow	APZ5-SHADE+AEZ124-650	Rainbow	APZ5-TWIN+AEZ124-650	Rainbow
APZ5-EDEN+AEZ124-750	Rainbow	APZ5-SHADE+AEZ124-750	Rainbow	APZ5-TWIN+AEZ124-750	Rainbow
APZ5-EDEN+AEZ124-850	Rainbow	APZ5-SHADE+AEZ124-850	Rainbow	APZ5-TWIN+AEZ124-850	Rainbow
APZ5-EDEN+AEZ124-950	Rainbow	APZ5-SHADE+AEZ124-950	Rainbow	APZ5-TWIN+AEZ124-950	Rainbow
APZ5-EDEN+AEZ124-1050	Rainbow	APZ5-SHADE+AEZ124-1050	Rainbow	APZ5-TWIN+AEZ124-1050	Rainbow

The above codes of waste systems with coloured lighting refer to page 92

Swimming pool gratings variants

Grid name	Type of grid	Height of the grid (mm)	Width of the grid (mm)	Grid length (mm)	Grid code
AP1	Without anti-slip	25	195	1 000	AP1-195-1000
			245	1 000	AP1-245-1000
			295	1 000	AP1-295-1000
AP2	Without anti-slip	35	195	1 000	AP2-195-1000
			245	1 000	AP2-245-1000
			295	1 000	AP2-295-1000
AP3	With anti-slip	25	195	1 000	AP3-195-1000
			245	1 000	AP3-245-1000
			295	1 000	AP3-295-1000
AP4	With anti-slip	35	195	1 000	AP4-195-1000
			245	1 000	AP4-245-1000
			295	1 000	AP4-295-1000
AP1R	Without anti-slip	25	195	1 000	AP1-195-R-1000
			245	1 000	AP1-245-R-1000
			295	1 000	AP1-295-R-1000
AP2R	Without anti-slip	35	195	1 000	AP2-195-R-1000
			245	1 000	AP2-245-R-1000
			295	1 000	AP2-295-R-1000
AP3R	With anti-slip	25	195	1 000	AP3-195-R-1000
			245	1 000	AP3-245-R-1000
			295	1 000	AP3-295-R-1000
AP4R	With anti-slip	35	195	1 000	AP4-195-R-1000
			245	1 000	AP4-245-R-1000
			295	1 000	AP4-295-R-1000

These products can be found on page 124–125

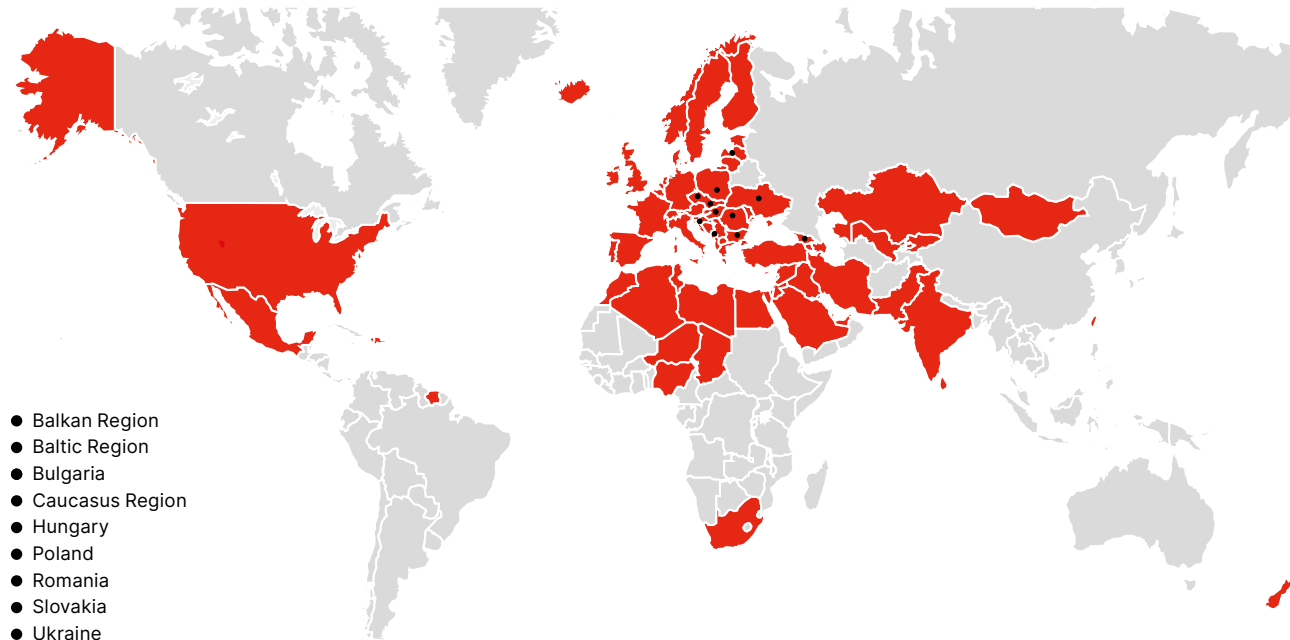


# alca GROUP

Respect, reliability, innovation.  
These are our values. We are Alca Group.



## International branches



Complete assortment of sanitary technology,  
system walls and piping systems

## alca

### Sanitary technology, system walls

Alca was founded in 1998, since 2021 it is part of the Alca Group. The largest manufacturer of sanitary ware in Central and Eastern Europe on an area of over 110,000 m<sup>2</sup>, it produces more than 1,000 sanitary products – valves, traps, WC systems, shower drains, floor drains, toilet seats and other assortment.

Furthermore it is a manufacturer of prefabricated system walls Alcasystem. This modular system for dry construction offers a complex solution for water supply, waste, electrical installation, sanitary technology and sound insulation, making it ideal for medium and large projects.



### Piping systems, floor heating and ceiling cooling systems

FV - Plast was founded in 1990 and has been part of the Alca Group since 2021. Since its establishment, it has been involved in the production of a complete range of pipe systems for water distribution and heating. The product portfolio also includes floor heating and ceiling cooling systems. Currently, FV - Plast is the largest producer of PP-RCT pipes in Central Europe and the only Czech producer of PERT and AL-PERT pipes.



Code	Page	Code	Page	Code	Page	Code	Page
A02	57	A400-G-B	182	A49CR	173	A80-DN32	176, 187
A03	57	A400-GM-B	182	A49K	173	A80-DN40 / A80-DN50	187
A03A	58	A400-GM-P	182	A49K MAT	173	A80-DN40-ECO	161
A05-CHROM	57	A400-G-P	181	A49K-B	173, 213	A80-DN50/40	176, 217
A06	58	A400-N-B	182	A501	162	A80-DN50-ECO	161
A06-850	58	A400-N-P	182	A502	162	A810-DN40	185
A06E	58	A400-RG-B	182	A503KM	170	A810-DN50	185
A07	58	A400-RG-P	182, 208	A504CKM	165	A81-DN40	187
A08A	57	A401	182	A505CKM	166	A81-DN40-ECO	161
A09B	58	A402	182	A505CRM	165	A81-DN50	187
A104/1120	38	A403	183	A506KM	170	A81-DN50-ECO	161
A104/850	38	A41	175	A507BLACK	165, 211	A820-DN40	186
A104A/1120	38	A410	175	A507CK	165, 216	A820-DN50	186
A104AVS/1120	38	A410P	175	A507CKM	165	A82-DN40	187
A104B/1120	38	A411	175	A508CKM	166	A82-DN50	187
A104PB/1120	38	A412-DN40	175	A509CKM	166	A830-DN50/40	186
A105/1120	39	A413	175	A516CKM	164	A83-DN50/40	187
A105/450	39	A41P	175	A51B	162, 213	A840-DN50/40	186
A105/850	39	A41PR	176	A51BM	162, 213	A84-DN50/40	188
A106/1120	39	A41R	175	A51CR	162	A870P-DN40	186
A107/1120	39	A42	175	A51CRM	162	A872P	188
A107S/1120	39	A420	175	A52	170	A872P-ECO	161
A108/1300	40	A420P	175	A531	169	ADZ-R324R	123
A108F 5:1 SET	40	A421	175	A532-DN40	169	AEZ310	50
A108F/1100	40	A42P	175	A532-DN50	169	AEZ320	50
A108F/1500	40	A42R	176	A533-DN50	169	AGV1	142
A113/1120	40	A43	176	A53-6/4"	169	AGV1S	142
A114/1120	40	A430	176	A53-7/4"	169	AGV2	142
A114S/1120	41	A430P	176	A53-DN40	169	AGV2S	142
A117B	41	A431	183	A53-DN50	169	AGV3	142
A117PB	41	A432	183	A55BLACK	163, 211	AGV3S	142
A150-1/2"	56	A4320	183	A55K	163	AGV4	142
A150-3/8"	56	A4320BLACK	183, 211	A55K-G-B	163	AGV4S	142
A150P-1/2"	56	A434	176	A55K-GM-B	164	AGV911	142
A150P-3/8"	56	A434-ECO	161	A55K-GM-P	164	AGV911S	143
A150UNI	56	A437	183	A55K-G-P	163	AGV941	143
A160-1/2"	56	A438	183, 192	A55KM	164	AGV942	143
A160-3/8"	56	A439	177	A55KM-WHITE	165, 216	AHP80	95
A160P-3/8"	56	A43P	176	A55K-N-B	164	AIR	48
A160UNI	56	A441-DN50/40	184	A55K-N-P	164	AIR-INOX	48
A17-1/2"	57	A441P-DN50/40	184	A55K-RG-B	163	AIR-LIGHT	48
A17-3/8"	57	A442-DN50/40	184	A55K-RG-P	163, 208	AIZ1	156
A18-1/2"	57	A442P-DN50/40	184	A564B	167, 213, 216	AIZ3	156
A18-3/8"	57	A443-DN50/40	187	A564BLACK	167, 211	AKS1	193
A2000-CHROM	57	A443P-DN50/40	187	A564CRM	166	AKS1Z	193
A21	191	A444-DN50/40	184	A564CRM2	167	AKS2	193
A22	191	A444P-DN50/40	184	A564CRM3	167	AKS3	193
A30	189	A446-DN50/40	184	A564KM1	167	AKS4	193
A300	189	A446P-DN50/40	184	A564KM3	167	AKS5	193
A31	177	A447-DN50/40	185	A565CRM1	168	AKS6	193
A31P	177	A447P-DN50/40	185	A565KM1	168	AKS7	193
A32	177	A448-DN50/40	187	A566-112122-57	168	AKS8-DN40	193, 217
A328B	180	A448P-DN50/40	187	A566-273133-57	168	AKS8-DN50	193, 217
A328CR	180	A449-DN50/40	185	A60 Antibacterial	72	AM100/1000 Alcamodul	18
A33	188	A449P-DN50/40	185	A601	72	AM100/850 Alcamodul	18
A331	188	A44M-DN40	189	A602	73	AM101/1000 Sádromodul	20
A33-ECO	161	A44M-DN40-ECO	161	A603	73	AM101/1000-0005 WRAS	29
A33P	188	A44MN-DN40	189	A604	73	AM101/1120 Sádromodul	19
A34	188	A44MN-DN40-ECO	161	A604 FLOWER	73	AM101/1120-0005 WRAS	29
A34-ECO	161	A44MS-DN40	189	A604 SHELL	73	AM101/1120-0006 KIWA	30
A3553	72	A453P	185	A604 ZEN	73	AM101/1120E Sádromodul	24
A37	188	A454P	185	A606	74	AM101/1120F Sádromodul	19
A38	189	A456P	185	A64SLIM	74	AM101/1120W Sádromodul	23
A39	179	A45A	192	A6550	72	AM101/1300H Sádromodul	28
A390	179	A45B	192	A6551	72	AM101/1500L Medic Assistant	28
A391	177	A45C	192	A66	74	AM101/850 Sádromodul	20
A392B	213	A45E	192	A67	74	AM101/850-0005 WRAS	29
A392B	177	A45F-DN32	176, 192	A674S	74	AM101/850W Sádromodul	23
A392BLACK	177, 211	A45F-DN40	176, 192	A678S	75	AM102/1000 Jádromodul	21
A392C	177	A45G	192	A67SLIM	74	AM102/1120 Jádromodul	20
A392-G-B	178	A461-50	170	A68	72	AM102/1120E Jádromodul	24
A392-GM-B	178	A462-50	170	A710	200	AM102/850 Jádromodul	21
A392-GM-P	178	A464-DN50	186	A720	200	AM1101/1200 Sádromodul Slim	25
A392-G-P	178	A46-50	171	A730	200	AM1101P/1200	
A392-N-B	178	A465B-50	171, 213, 216	A740	200	Sádromodul Slim	26, 215
A392-N-P	178	A465BLACK-50	171, 211	A750	200	AM1112 Basicmodul Slim	25
A392-RG-B	178	A465C-50	171	A750+A31	171	AM1112P Basicmodul Slim	26, 215
A392-RG-P	178, 208	A46-60	172	A760	200	ADZ-P001	120
A393	178	A466-50	171	A770	200	ADZ-P002	121
A394	179	A471CR-50	174	A770+A33	188	ADZ-P003	120
A395	179	A471CR-60	174	A780	201	ADZ-P004	121
A395B	179, 213	A476	201	A791	201	ADZ-P005	118, 120
A396	179	A47B-50	172, 213	A792	201	ADZ-P006	119, 121
A396B	179, 213	A47B-60	172, 213	A793	201	ADZ-P007	118, 120
A396BLACK	179, 211	A47CR-50	172	A794	200	ADZ-P008	119, 121
A396SN	179, 217	A47CR-60	172	A795	200	ADZ-P011	118, 120
A400	181	A48	172	A7990	201	ADZ-P012	119, 121
A4000	183	A491BLACK	174, 211, 217	A7991	201	ADZ-PT101	117
A4000B	213	A491CR	174	A7992	201	ADZ-PT301	117
A4000B	184	A492BLACK	174, 211, 217	A7993	201	ADZ-R101	118, 120
A4000BLACK	183, 211	A492CR	174	A8000	186	ADZ-R101R	122
A400B	181, 213	A49B	173, 213	A800-DN40	185	ADZ-R102	118, 120
A400BLACK	181, 211	A49BLACK	173, 211	A800-DN50	185	ADZ-R102R	122

Code	Page	Code	Page	Code	Page	Code	Page
ADZ-R103	118, 120	AP1R	124	APR-R31-130-135-2	109	APZ1101 Low	80
ADZ-R103R	122	AP2	124	APR-R31-150-150	108	APZ1104 Flexible Low	83
ADZ-R121R	123	AP2R	124	APR-R31-200-200	108	APZ1106 Professional Low	84
ADZ-R122	119, 121	AP3	124	APR-R31-250-250	114	APZ111 Antivandal Low	94
ADZ-R122R	123	AP3R	125	APR-R31-250-250-1	109	APZ1116 Wall Low	84
ADZ-R123	119, 121	AP4	124	APR-R31-300-300	108	APZ115 Marble Low	86
ADZ-R123R	123	AP4R	125	APR-R31-790-210	111	APZ116 Wall Low	84
ADZ-R301	118, 120	APH110	206	APR-R31-865-135	111	APZ12 Optimal	101
ADZ-R301R	122	APH40	206	APR-R32-1000-135	110, 111	APZ13 Modular	90
ADZ-R302	118, 120	APH50	206	APR-R32-1000-210	109, 110, 111	APZ13-DOUBLE9 Fit and Go	88
ADZ-R302R	122	APH75	206	APR-R32-130-135-2	109	APZ15 Marble	86
ADZ-R303	118, 120	APR3-1110	108	APR-R32-150-150	108	APZ16 Wall	84
ADZ-R303R	122	APR3-1120	108	APR-R32-200-200	108	APZ19 Simple	96
ADZ-R304	118, 120	APR3-2110	108	APR-R32-250-250	114	APZ19BLACK Simple	96, 210
ADZ-R304R	122	APR3-2120	108	APR-R32-250-250-1	109	APZ1BLACK	81, 210
ADZ-R321	119, 121	APR4-1111	108	APR-R32-300-300	108	APZ20 Simple	97
ADZ-R321R	123	APR4-1121	108	APR-R32-790-210	111	APZ2001	82
ADZ-R322	119, 121	APR4-2111	108	APR-R32-865-135	111	APZ2012 Optimal	102
ADZ-R322R	123	APR4-2121	108	APR-R32-865-135	111	APZ23 Modular Wall	90
ADZ-R323	119, 121	APR5-1111	108	APR-R32-865-135	111	APZ23 DOUBLE9 Fit and Go Wall	89
ADZ-R323R	123	APR5-1121	108	APR-R32-865-135	111	APZ30 Wall	100
ADZ-R324	119, 121	APR5-2111	108	APR-R32-865-135	111	APZ4 Flexible	83
ADZ-R324R	123	APR5-2121	108	APR-R32-865-135	111	APZ5-EDEN Spa	92
AEZ310	50	APR6-0211-135	110	APR-R32-865-135	111	APZ5-SHADE Spa	92
AEZ320	50	APR6-0211-135R	111	APR-R32-865-135	111	APZ5-TWIN Spa	92
AGV1	142	APR6-0211-210	110	APR-R32-865-135	111	APZ6 Professional	84
AGV1S	142	APR6-0211-210R	111	APR-R32-865-135	111	APZ9 Simple	98
AGV2	142	APR6-0221-135	110	APR-R32-865-135	111	APV0006	154
AGV2S	142	APR6-0221-135R	111	APR-R32-865-135	111	APV0010	155
AGV3	142	APR6-0221-210	110	APR-R32-865-135	111	APV0020	155
AGV3S	142	APR6-0221-210R	111	APR-R32-865-135	111	APV0030	155
AGV4	142	APR6-1211-135	109	APR-R32-865-135	111	APV0050	155
AGV4S	142	APR6-1211-210	109	APR-R32-865-135	111	APV0060	155
AGV911	142	APR6-1221-135	109	APR-R32-865-135	111	APV0800	155
AGV911S	143	APR6-1221-210	109	APR-R32-865-135	111	APV1	150
AGV941	143	APR6-1311-135-L	109	APR-R32-865-135	111	APV10	152
AGV942	143	APR6-1311-135-P	109	APR-R32-865-135	111	APV101	151
AHP80	95	APR6-1321-135-L	109	APR-R32-865-135	111	APV102	151
AIR	48	APR6-1321-135-P	109	APR-R32-865-135	111	APV103	151
AIR-INOX	48	APR6-2211-135	109	APR-R32-865-135	111	APV11	152
AIR-LIGHT	48	APR6-2211-210	109	APR-R32-865-135	111	APV110	146
AIZ1	156	APR6-2221-135	109	APR-R32-865-135	111	APV12	151
AIZ3	156	APR6-2221-210	109	APR-R32-865-135	111	APV120	146
AKS1	193	APR6-2311-135	109	APR-R32-865-135	111	APV13	151
AKS1Z	193	APR6-2321-135	109	APR-R32-865-135	111	APV130	146
AKS2	193	APR6-ATYP-S	110	APR-R32-865-135	111	APV1311	149
AKS3	193	APR6-ATYP-SR	111	APR-R32-865-135	111	APV1321	149
AKS4	193	APR6-P101-135	112	APR-R32-865-135	111	APV1324	148
AKS5	193	APR6-P101-210	112	APR-R32-865-135	111	APV140	147
AKS6	193	APR6-P201-135	112	APR-R			



# alca GROUP

alca

Sanitary technology,  
system walls

Czech Republic  
Alcadrain s.r.o.  
Bratislavská 2846  
690 02 Břeclav  
T: +420 519 821 117 – Sales Dept. CZ  
T: +420 519 821 041 – Export Dept.  
alcadrain@alcadrain.cz  
www.alcadrain.com

FV  
PLAST

Piping systems, floor heating  
and ceiling cooling systems

Czech Republic  
FV – Plast, a.s.  
Kozovazská 1049/3  
250 88 Čelákovice  
T: +420 326 706 711  
fv-plast@fv-plast.cz  
www.fvplast.com

Our team of specialists is always on hand to help with design, installation and quote project prices.

The warranty stated for individual products applies only to the functional technical properties of the product, does not apply to wear and tear of the product caused by its normal use or defects caused by non-compliance with general product handling principles or non-compliance with product instructions. Complete warranty conditions at [www.alcadrain.com/guarantee](http://www.alcadrain.com/guarantee).



Czech manufacturer, ISO 9001:2015  
Edition 1/2025 EN, © Alcadrain s.r.o.  
Changes in dimensions and design reserved.