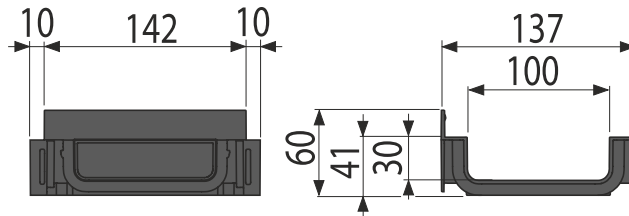


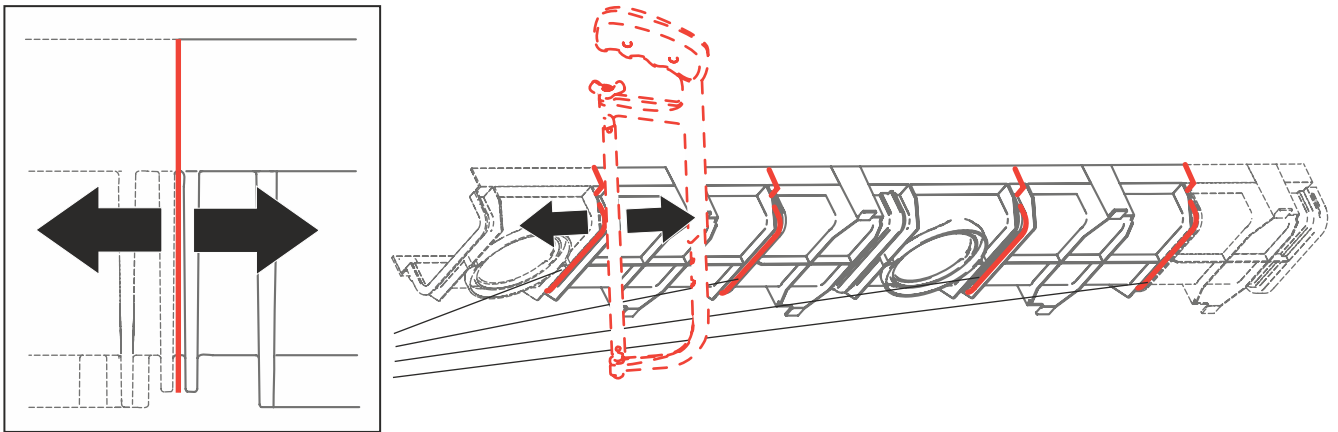


AVZ-P015

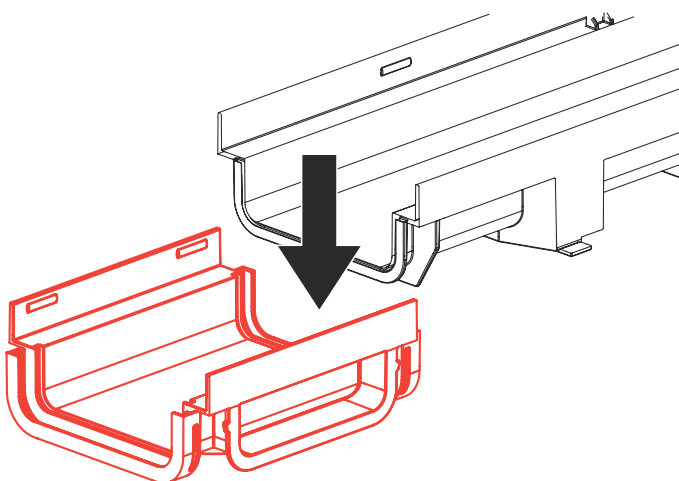


[mm]

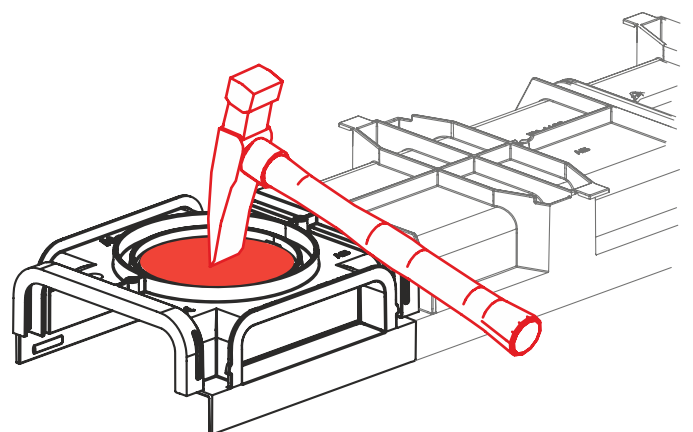
1



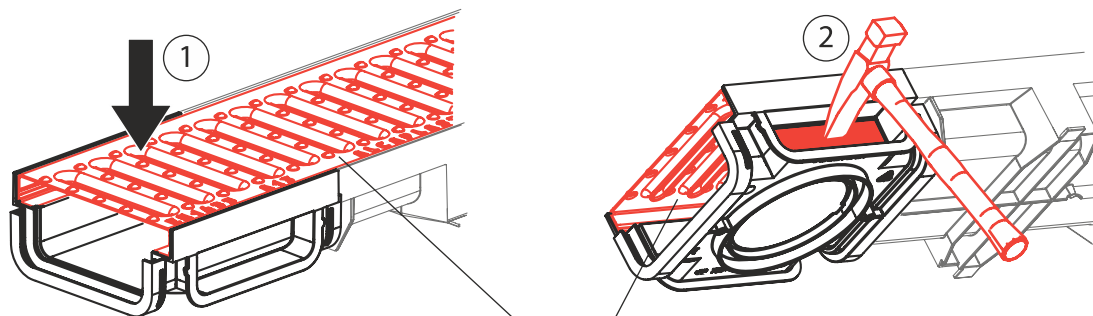
2



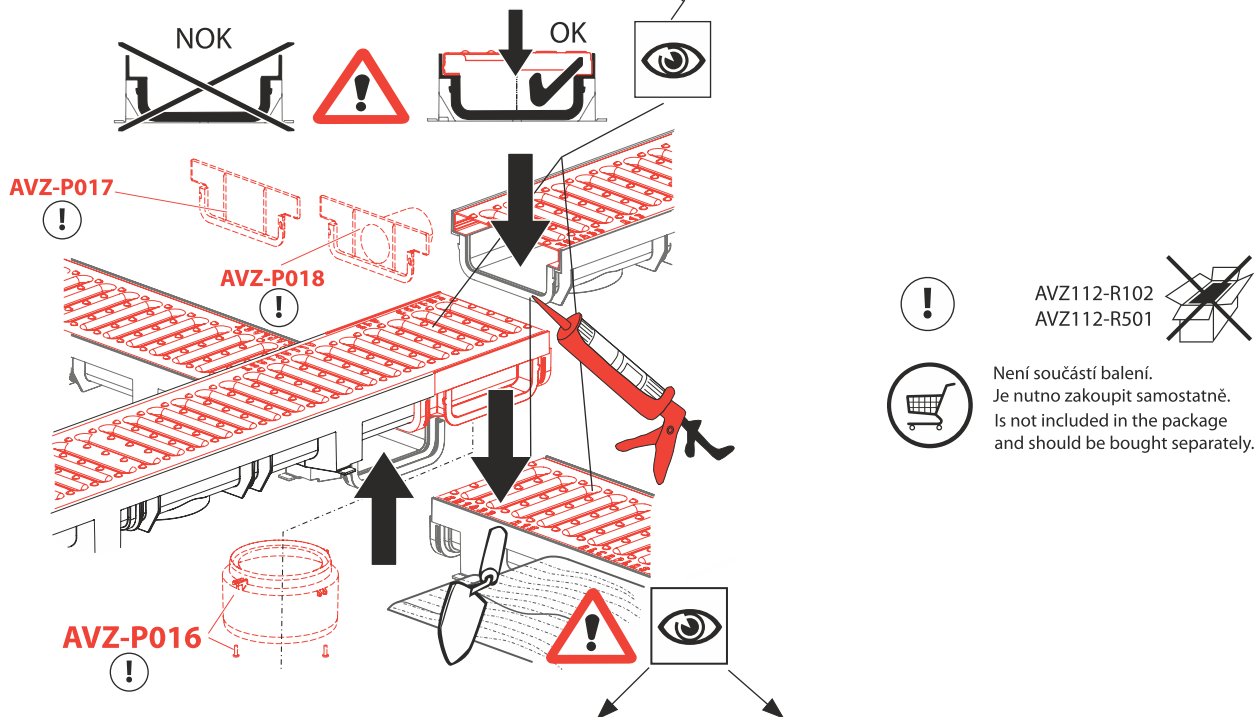
3



4



5

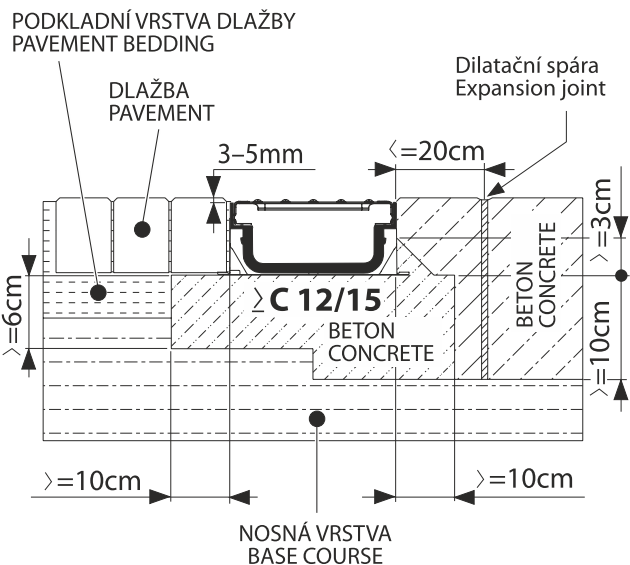


6-1

A15

Instalace do dlažby
Installation in pavement

Instalace do betonu
Installation in concrete



6-2

B125

Instalace do dlažby
Installation in pavement

Instalace do betonu
Installation in concrete

